



LINEBRACE™

The “LINEBRACE” clamp supports the weight of vertical lineset risers in VRF/VRV AC systems and reduces the thermal expansion load on the lowest elbow by 50%.

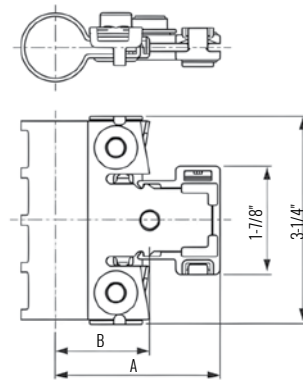
LineBrace is not suitable for use in refrigeration systems.

To find out more, visit www.InabaDenko-America.com

TKL PIPE SUPPORT (NON-BRAZE)



DIMENSIONS



MODELS	COMPATIBLE PIPE SIZES	A	B
TKL-3K	3/8"	2-3/8"	1-1/4"
TKL-4K	1/2"	2-1/2"	1-3/8"
TKL-5K	5/8"	2-1/2"	1-3/8"
TKL-6K	3/4"	2-5/8"	1-1/2"
TKL-7K	7/8"	2-5/8"	1-1/2"
TKL-8K	1"	2-3/4"	1-5/8"
TKL-9K	1-1/8"	2-7/8"	1-5/8"
TKL-10K	1-1/4"	2-7/8"	1-3/4"
TKL-11K	1-3/8"	2-7/8"	1-3/4"
TKL-12K	1-1/2"	3"	1-7/8"
TKL-13K	1-5/8"	3-1/8"	2"
TKL-14K	1-3/4"	3-1/8"	2"

FEATURES

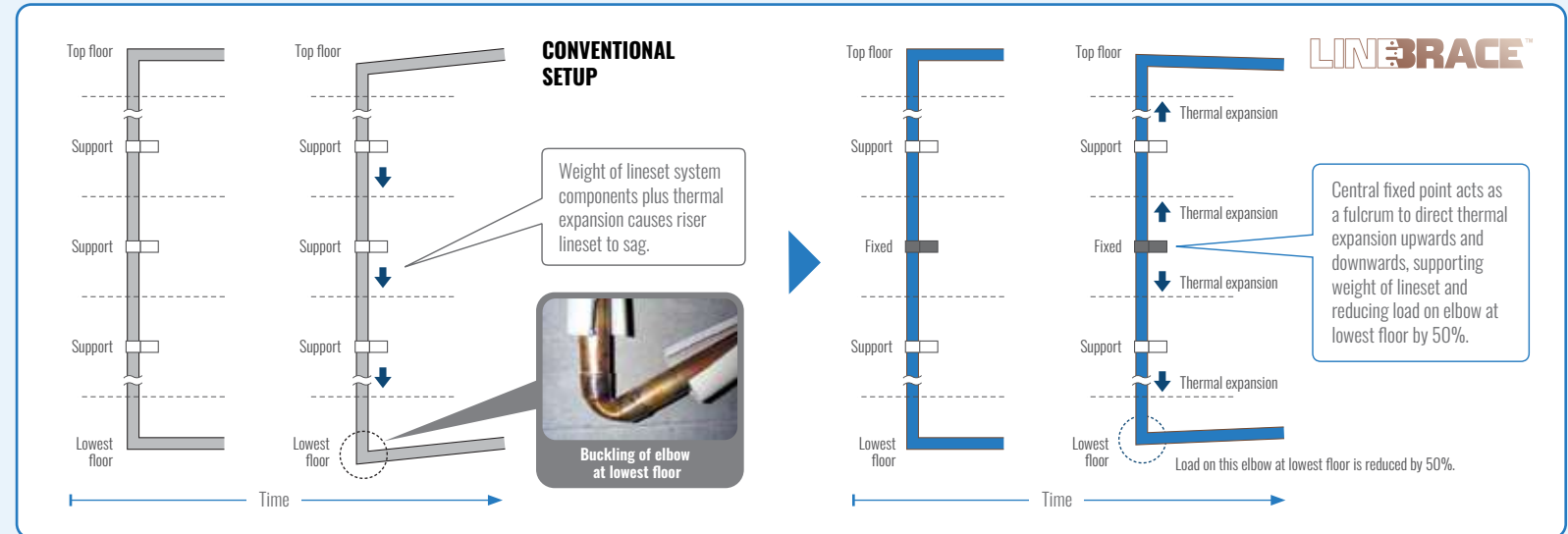
- No "hot work" (brazing) required.
- Reduces weight load on vertical riser.
- Reduces thermal expansion by 50%.
- Easy to retrofit onto existing linesets.
- Molded insulation sleeve preserves thermal integrity.
- Available from 3/8" to 1 3/4", in 1/8" increments.

MATERIAL

- **Clamp:**
Type 304 Stainless steel
- **Clamp liner plates:**
Polypropylene
- **Hex nuts & bolts:**
M8 Stainless steel

Vertical linesets are always subject to severe stress due to the combination of thermal expansion and gravity, usually resulting in buckling and deformation of the pipe fitting at the lowest extremity.

LineBrace solves these problems and simplifies installation.



COMPLETED INSTALLATION



BASE

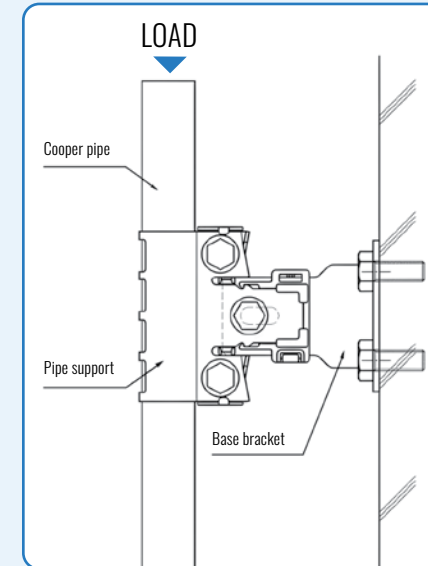
Material:
Hot dip galvanized and powder coated 1/8" thick steel.



INSULATION

Material:
Top:
Expanded polyethylene foam 3/4" thick.
Bottom:
Expanded polyethylene foam 3/4" thick with a textured polyethylene skin.

LOAD CAPACITY



ITEM NO.	LBS
TKL-3K	615
TKL-4K	645
TKL-5K	700
TKL-6K	745
TKL-7K	810
TKL-8K	890
TKL-9K	985
TKL-10K	1085
TKL-11K	1190
TKL-12K	1310
TKL-13K	1435
TKL-14K	1570

■ Maximum load capacities shown under test conditions.