

**INABA DENKO**

INTRODUCES

# **SLIMDUCT™ PD**

The protective finishing touch for your installations

July 15, 2021

# SLIMDUCT™ PD



Sophisticated Aesthetics



Ivory color blends into commercial building environments



Enhances value of the building



# Traditional Installation

## Exposed Linesets

### Challenges

- Appears unfinished and attractive.
- Severe insulation damage can occur from ongoing exposure to UV light, rainwater, air pollution, accidental damage, or vandalism.
- Exposure can lead to gas leakage from cooper and reduce the overall energy efficiency of an air conditioning system.

# Traditional Installation

## Jacketing

### Issues

- Appears unattractive and unprofessional
- May crack or deform from degradation or external forces such as excess weight
- May stain or rust from rainwater or pollution
- Lineset maintenance is difficult to perform

# SLIMDUCT™ PD

## The Elegant Solution

- **Adaptable**  
Protects mounted lineset installations even between a Slimduct RD system. Available in three sizes and its round profile provides maximum strength. It works with larger linesets and complex configurations.
- **Professional Appearance**  
With its stylish compact design, Slimduct PD blends into any interior or exterior setting, and enhances the appearance of a VRF installation.
- **Enhances property value**

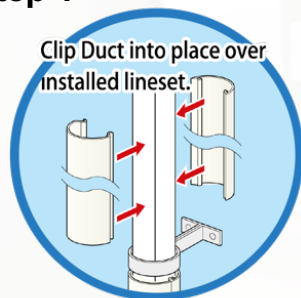
# SLIMDUCT™ PD

## Various Installation Options

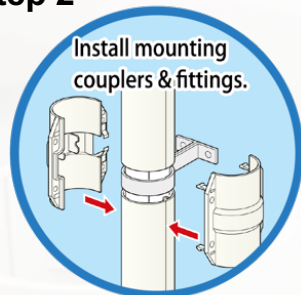
- It's easy to mount and elevate linesets from the wall, ceiling, or deck surface
- Optimizes limited building space



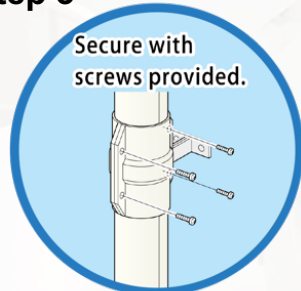
## Step 1



## Step 2



## Step 3

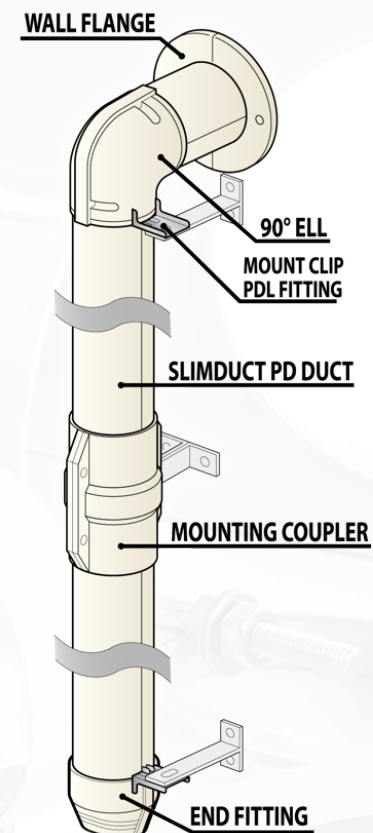


# SLIMDUCT™ PD

## Easy to Install and Maintain

- **No special tools** are required to assemble Slimduct PD pieces together.
- All the straight ducts and fittings disassemble, which makes it easy to install and mount with standard pipe brackets.
- Reduces labor costs for both installation and ongoing maintenance.

For more information,  
check out this video



Typical installation image

# SLIMDUCT™ PD

## Technical Specifications

### Material

Weather resistant, UV stabilized, and flame retardant PVC. Excludes some items.

**Temperature Range** -4°F to 140°F

### Application

Elevates linesets from wall, ceiling or deck surface.

### Lineset Capacity

Item #	Insulation Thickness	Lineset Size (Liquid Line x Suction Line)													
		1/4" x 3/8"	1/4" x 1/2"	1/4" x 5/8"	3/8" x 5/8"	3/8" x 3/4"	3/8" x 7/8"	1/2" x 1 1/8"	5/8" x 1 1/8"	5/8" x 1 1/4"	3/4" x 1 1/4"	3/4" x 1 1/2"	7/8" x 1 1/2"	7/8" x 1 5/8"	
PD-90	1/2" x 1/2"	1	1	1	1	1	1	-	-	-	-	-	-	-	
	3/4" x 3/4"	-	-	-	-	-	-	-	-	-	-	-	-	-	
PD-120	1/2" x 1/2"	2	2	2	2	1	1	1	1	1	1	1	1	-	
	3/4" x 3/4"	1	1	1	1	1	1	-	-	-	-	-	-	-	
PD-140	1/2" x 1/2"	4	3	3	3	3	2	2	2	1	1	1	1	1	
	3/4" x 3/4"	2	2	1	1	1	1	1	1	1	1	1	-	-	

\*Includes Drain Hose (O.D. 1 1/4).

### Size

PD-90 (3-1/2"), PD-120(4-5/8"), PD-140 (5-3/8")

**Color:** Ivory

**Weather Resistant:** Tested to over 2,000 hours.

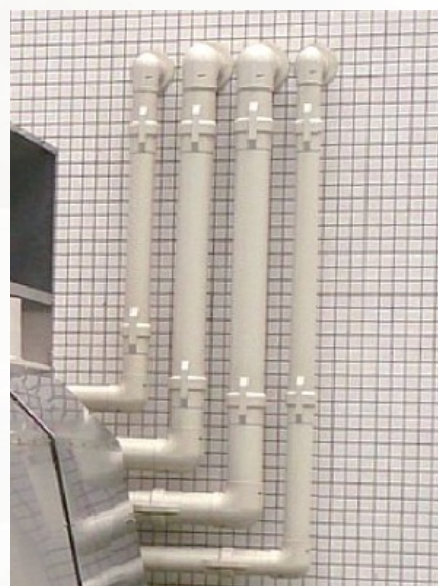
### Fixing Screw

Stainless steel, includes PDL, PDH, PDY and PDU.



# SLIMDUCT™ PD

## Installation Examples



For further information, refer to the product brochure on our website.



# Marketing Materials

Brochure



Product Animation



Installation Video



Product Photos





# INABA DENKO

**Inaba Denko America**

20130 S. Western Avenue Torrance, CA 90501

Tel: 310-328-3222

Fax: 310-328-2676

E-mail: [info@inabadenko-america.com](mailto:info@inabadenko-america.com)

Web: [InabaDenko-America.com](http://InabaDenko-America.com)