

HVAC PRODUCT CATALOG

- INSTALLATION SOLUTIONS -

INABA DENKO

Inaba Denko America
HVAC div. of PATLITE (U.S.A.) Corporation
20130 S. Western Avenue Torrance, CA 90501-1307
Tel: 310-328-3222
Fax: 310-328-2676
E-mail: inaba-sales@patlite.com
Web: inabadenko-america.com

INABA DENKO





Table of Contents

› LINESET	2
LINESET	3 - 5
› LINESET COVER SYSTEM	6
LINESET COVER - Residential	7 - 12
LINESET COVER CUTTER	13
LINESET COVER - Residential Elevating System	14 - 15
LINESET COVER - Commercial	16 - 33
› DRAIN HOSE ACCESSORIES	34
DRAIN-UP HOSE KIT FOT INDOOR AC UNITS	35 - 36
INSULATED DRAIN HOSE	37 - 38
DRAIN HOSE	39 - 40
› CONDENSER RISER & BRACKET	41
CONDENSER RISER	42 - 44
CONDENSER BRACKET	45 - 47
› MINI-SPLIT SOLUTION ACCESSORIES	48
WALL SLEEVE	49
WALL CAP	50
TAPE	51 - 53
› PIPE SUPPORT SYSTEM	54
VERICAL LINESET SUPPORT	55 - 57
HORIZONTAL PIPE SUPPORT	58 - 60
SADDLE	61 - 62
ANTI DEFLECTION BRACE	63

LINESET



LINESET

TECHNICAL SPECS

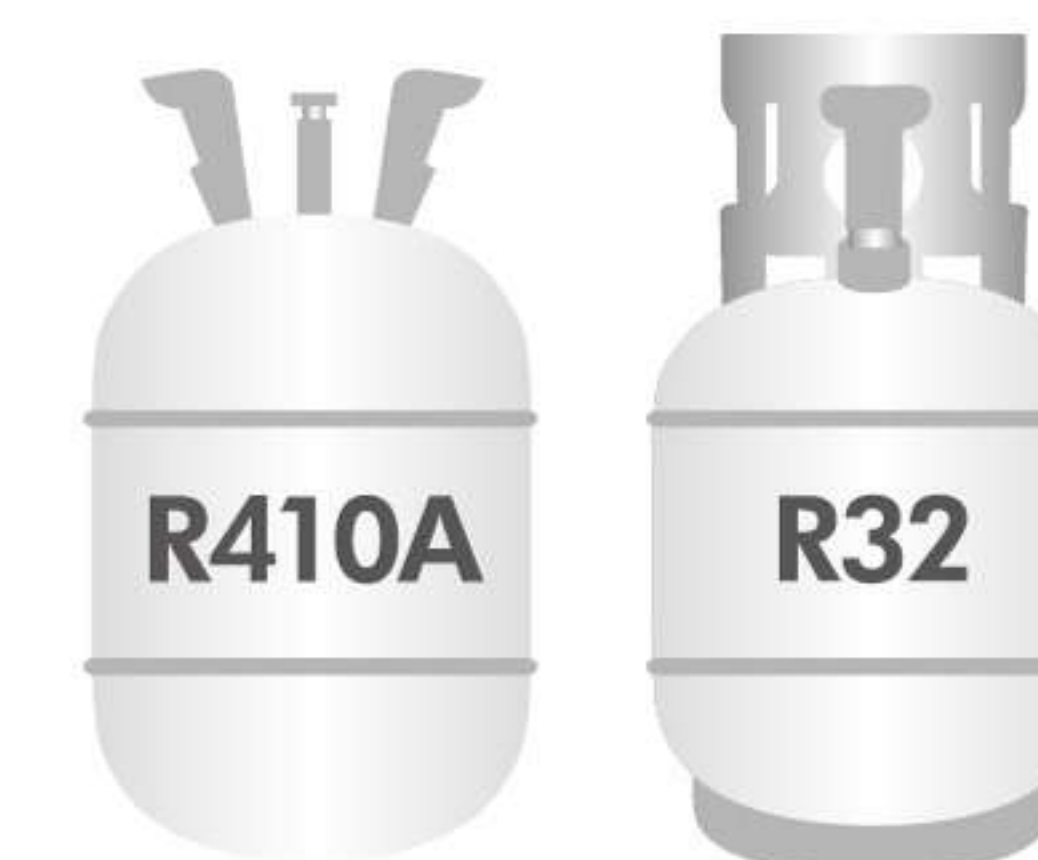
PAIRCOIL **SINGLECOIL**

■ Copper Tubing:

Architectural grade seamless copper tubing for air conditioning and refrigeration.

Copper:

ASTM B280 C12200 DHP (Phosphorous deoxidized, High residual phosphorous) 99.9%.



R410A and R32 Approved. (700 psi)

■ Insulation:

Meets JIS A9511 A-PE-C-2, High reliable insulation standard.

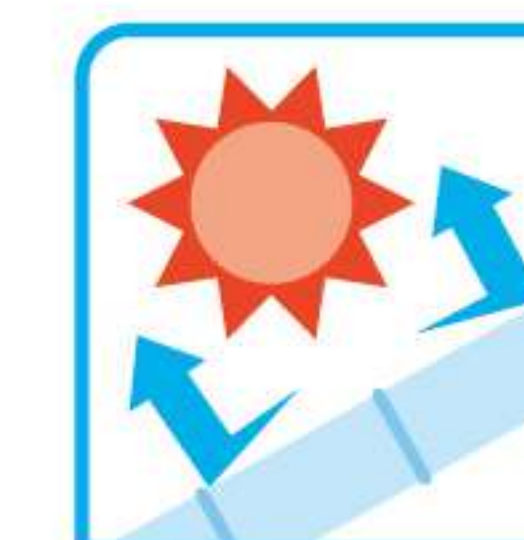
Surface Burning Characteristic:

UL-94 HF-1, most aggressive rating for plastic, low-density foams. Similar to ASTM E84 standard found on lineset insulation. EN-13501-1, DIN4102-1, B1 class.



UV Resistance:

ASTM G151, 152 (SWOM TEST)
UV resistant to minimize UV regradation.
Maintains over 60% of tensile strength after 3 + years of UV exposure*.
Little discoloration.



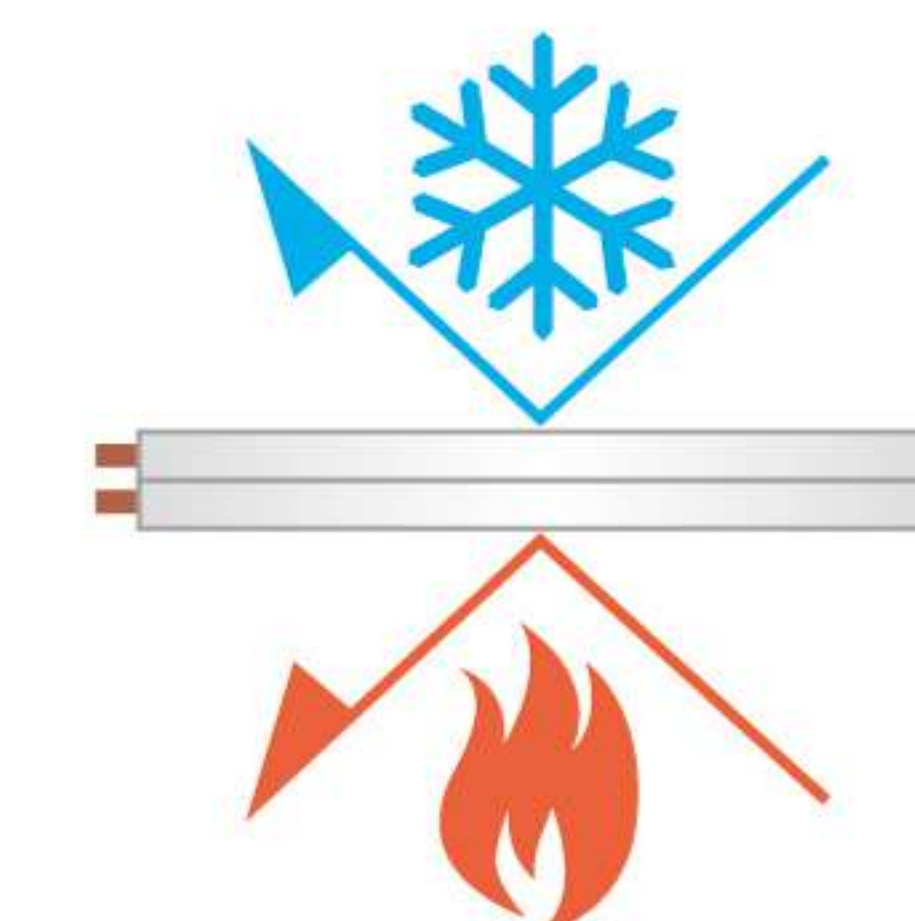
*Based on super UV testing and calculation.

Years are subject to various conditions like sunshine direction and environment.

*Inaba Denko highly recommends PAIRCOIL / SINGLECOIL installation with our lineset cover named SLIMDUCT or UV Tape to protect it from severe weather conditions, rain water, bad air, accidental damages or vandalism.



R Value: 3.0 for 1/2"



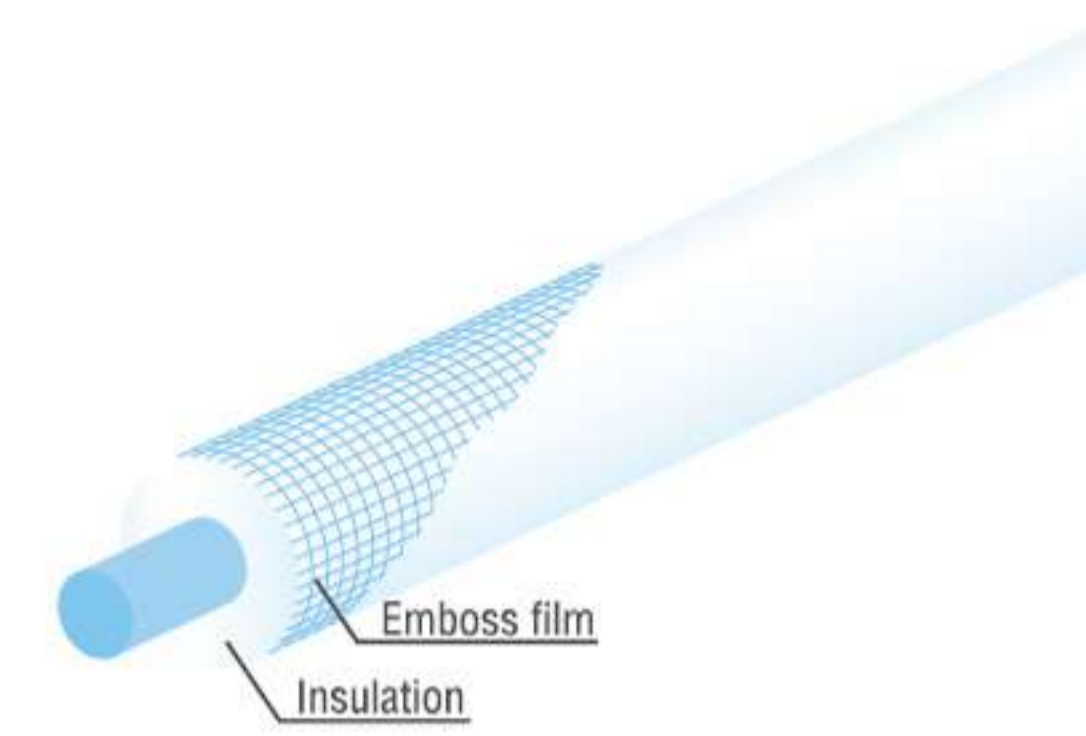
Temperature Range: -40°F to 248°F.

LINESET

SPECIAL FEATURES

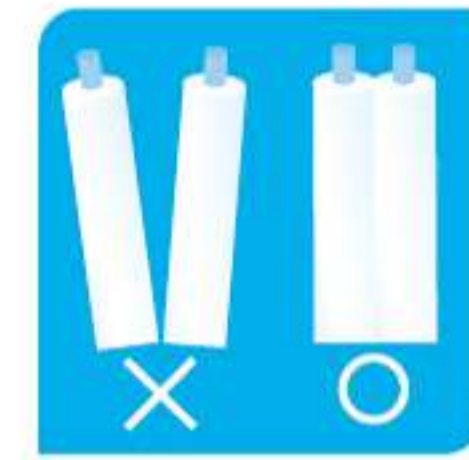
Pre Insulated:

Inaba Denko linesets are all insulated by super duty cross-linked polyethylene to realize quick installation on-site.



Pre Paired:

PAIRCOIL is pre paired all together with liquid and suction line to cut installation time by half.



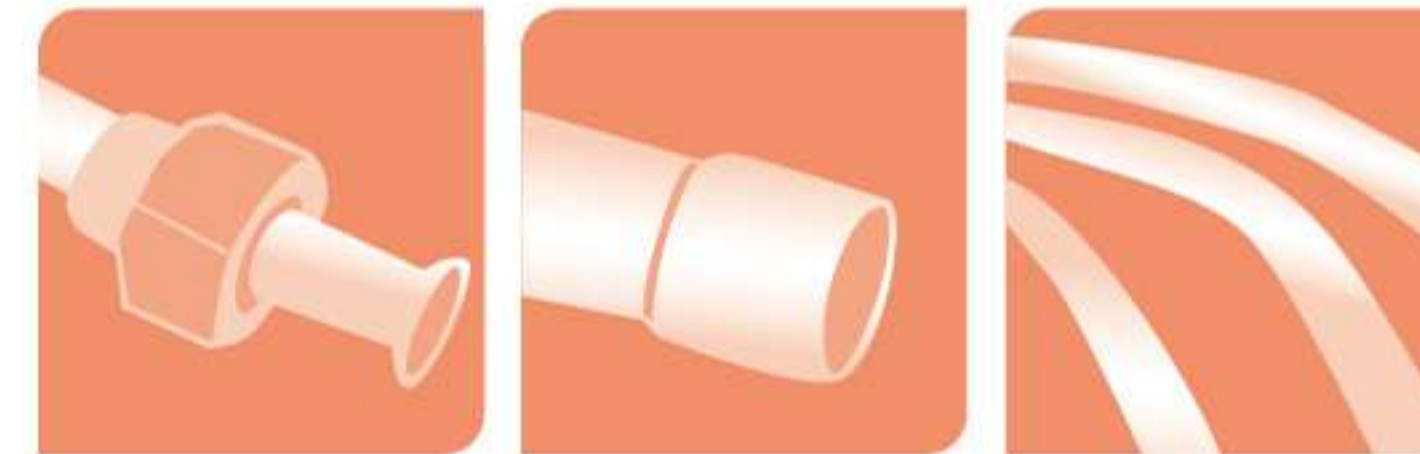
Anti-Friction Surface Film:

Insulation is tough enough to be pulled around and be rubbed during installation, however, it is ductile enough to be cut and separated by hand.



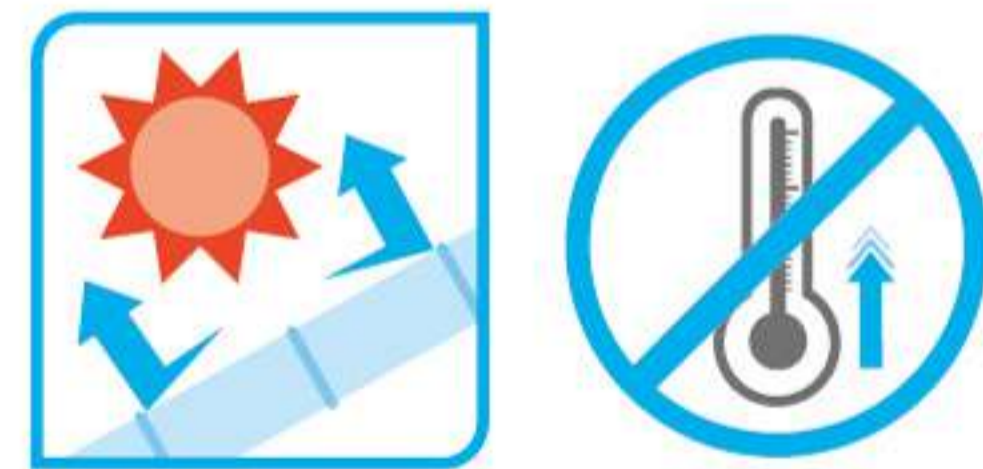
Malleable Copper:

It is easy to flare and swage by tool, and bend by hand, which reduces risks of kink.



Ivory Color Insulation:

It reflects solar heat for better energy efficiency, and blends in with any property.



Full Illustrated Package:

Inaba Denko linesets always come with sturdy, elegant and fully illustrated carton box not to cause deformation.

Available in 25', 35', 50', 82' roll.

Size combination: PAIRCOIL offers the best combinations for mini-split installation. SINGLECOIL offers a lot of options for combinations.

Multi-Installation:

Straight and plain ends are used for more than one installation.



PC-FTA

PAIRCOIL

PAIRCOIL



Item No.	LL x SL	Insulation	Length	Pcs/Pkg
PC-2325FTA	1/4" x 3/8"	1/2"	25'	1
PC-2335FTA	1/4" x 3/8"	1/2"	35'	1
PC-2350FTA	1/4" x 3/8"	1/2"	50'	1
PC-2382FTA	1/4" x 3/8"	1/2"	82'	1
PC-2425FTA	1/4" x 1/2"	1/2"	25'	1
PC-2435FTA	1/4" x 1/2"	1/2"	35'	1
PC-2450FTA	1/4" x 1/2"	1/2"	50'	1
PC-2482FTA	1/4" x 1/2"	1/2"	82'	1
PC-2525FTA	1/4" x 5/8"	1/2"	25'	1
PC-2535FTA	1/4" x 5/8"	1/2"	35'	1
PC-2550FTA	1/4" x 5/8"	1/2"	50'	1
PC-2582FTA	1/4" x 5/8"	1/2"	82'	1
PC-3525FTA	3/8" x 5/8"	1/2"	25'	1
PC-3535FTA	3/8" x 5/8"	1/2"	35'	1
PC-3550FTA	3/8" x 5/8"	1/2"	50'	1
PC-3582FTA	3/8" x 5/8"	1/2"	82'	1
PC-3625FTA	3/8" x 3/4"	1/2"	25'	1
PC-3635FTA	3/8" x 3/4"	1/2"	35'	1
PC-3650FTA	3/8" x 3/4"	1/2"	50'	1
PC-3682FTA	3/8" x 3/4"	1/2"	82'	1

NC-FTA

SINGLECOIL

SINGLECOIL



Item No.	Size	Insulation	Length	Pcs/Pkg
NC-225FTA	1/4"	1/2"	25'	1
NC-235FTA	1/4"	1/2"	35'	1
NC-250FTA	1/4"	1/2"	50'	1
NC-282FTA	1/4"	1/2"	82'	1
NC-325FTA	3/8"	1/2"	25'	1
NC-335FTA	3/8"	1/2"	35'	1
NC-350FTA	3/8"	1/2"	50'	1
NC-382FTA	3/8"	1/2"	82'	1
NC-425FTA	1/2"	1/2"	25'	1
NC-435FTA	1/2"	1/2"	35'	1
NC-450FTA	1/2"	1/2"	50'	1
NC-482FTA	1/2"	1/2"	82'	1
NC-525FTA	5/8"	1/2"	25'	1
NC-535FTA	5/8"	1/2"	35'	1
NC-550FTA	5/8"	1/2"	50'	1
NC-582FTA	5/8"	1/2"	82'	1
NC-625FTA	3/4"	1/2"	25'	1
NC-635FTA	3/4"	1/2"	35'	1
NC-650FTA	3/4"	1/2"	50'	1
NC-682FTA	3/4"	1/2"	82'	1

*Released Soon

LINESET COVER SYSTEM

LINESET COVER - Residential

TECHNICAL SPECS

SLIMDUCT SD

Material:

Weather resistant, UV stabilized, and Flame retardant PVC. *Excludes some items.

Temperature Range:

-4°F to 140°F.



Weather Resistant:

Tested to over 2,000 hours. (JIS D 0205, SWOM TEST)



Application:

Wall Mounted.

Fixing Screw:

Stainless Steel.

Size:

SD-77 (3"), SD-100 (4"), SD-140 (5-5/8")

Color:



White

Ivory

Gray

Brown

Black

Lineset Capacity:

Item#	Insulation thickness	Lineset size (Liquid line x Suction line)												
		1/4" x 3/8"	1/4" x 1/2"	1/4" x 5/8"	3/8" x 5/8"	3/8" x 3/4"	3/8" x 7/8"	1/2" x 1-1/8"	5/8" x 1-1/8"	5/8" x 1-1/4"	3/4" x 1-1/4"	3/4" x 1-1/2"	7/8" x 1-1/2"	7/8" x 1-5/8"
SD-77	1/2" x 1/2"	1	1	-	-	-	-	-	-	-	-	-	-	-
	3/4" x 3/4"	-	-	-	-	-	-	-	-	-	-	-	-	-
SD-100	1/2" x 1/2"	1	1	1	1	1	1	-	-	-	-	-	-	-
	3/4" x 3/4"	-	-	-	-	-	-	-	-	-	-	-	-	-
SD-140	1/2" x 1/2"	3	2	2	2	1	1	1	1	1	1	1	1	1
	3/4" x 3/4"	1	1	1	1	1	1	1	1	-	-	-	-	-

* Includes Drain Hose (O.D. 7/8) and Power/Control Cables.

LINESET COVER - Residential

SPECIAL FEATURES

Architectural Linesets Cover:

The perfect system SLIMDUCT SD with various fittings will conceal, beautify and protect exposed linesets and is suitable for any Split Air Conditioners.

Good Appearance:

Blends in with interior as well as exterior due to stylish compact design.



Assembly:

Straight duct cover clips onto top of the base tightly and quickly.



Installation:

SLIMDUCT SD can be cut by SLIMDUCT CUTTER as well as a hacksaw.



Flame Retardant:

SLIMDUCT SD is made from flame retardant materials.

Size:

Available in three size, 3", 4", 5-5/8".

Color:

Available in five colors, White, Ivory, Brown, Gray, Black.

Caution ■ Dark colors fade in sunlight sooner than lighter colors.

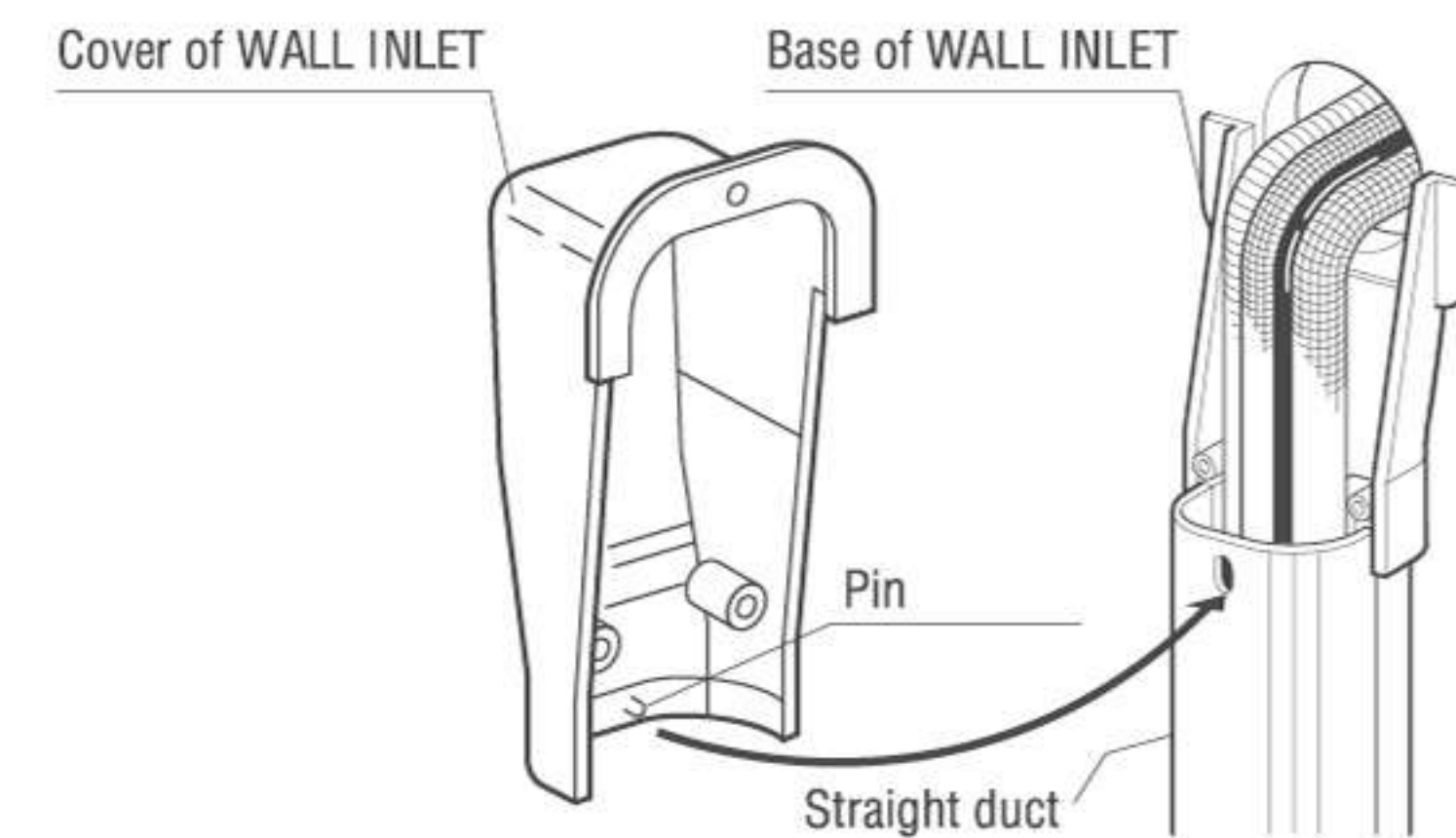
Lifetime Protector:

SLIMDUCT SD is constructed from a special high grade PVC for superior UV and weather resistance, protecting linesets from the elements, vandalism and pest damage.



Attentive:

Some fittings have a pin on back side of cover of them for preventing the cover of straight duct from sliding. When utilizing this pin, inset the pin into half-opened hole after pushing out this hole. When not using this pin, remove it before installing the cover of fittings.



Fittings:

A full range of various fittings enables to accommodate any complicated configuration.

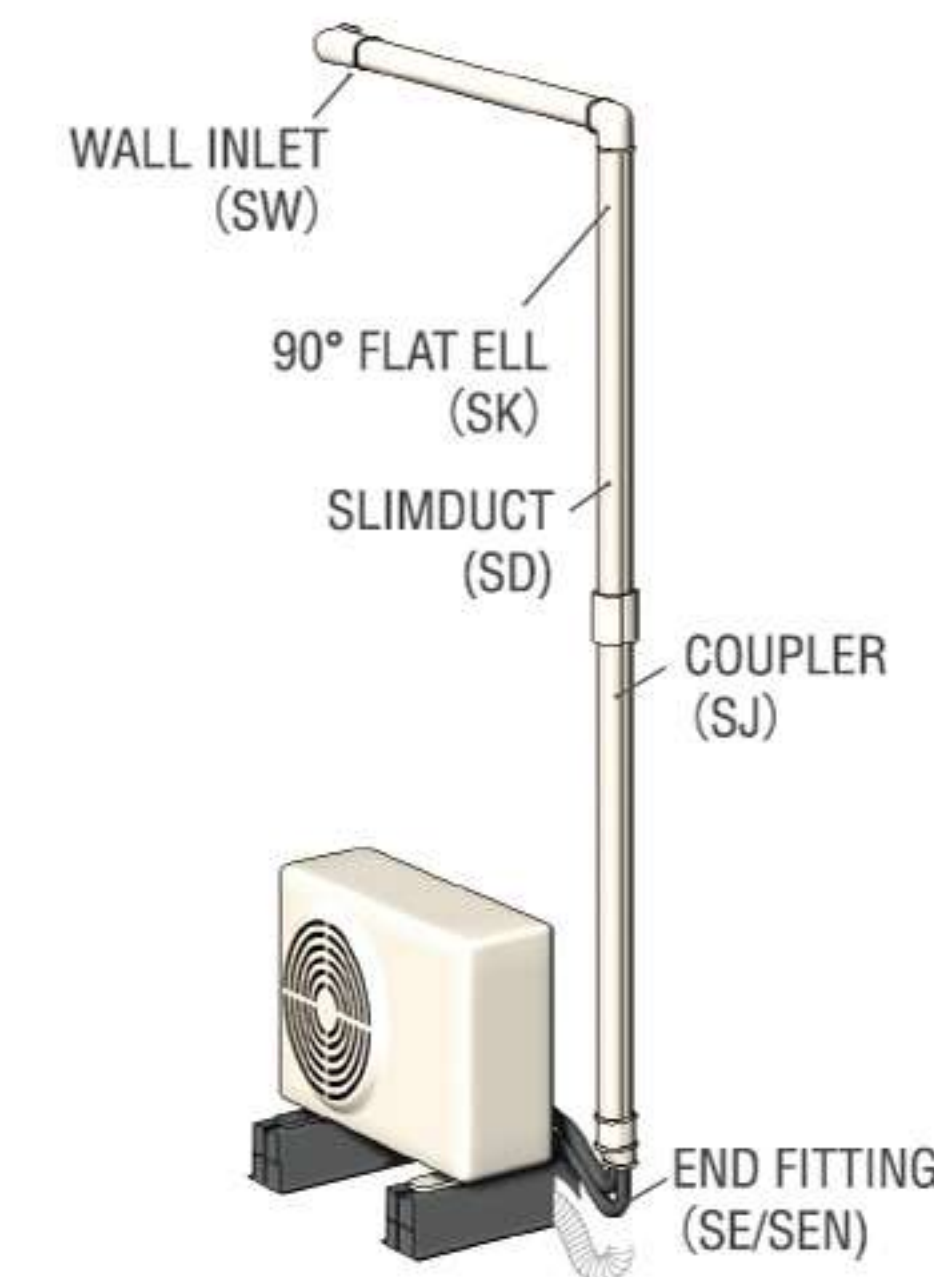


Versatile:

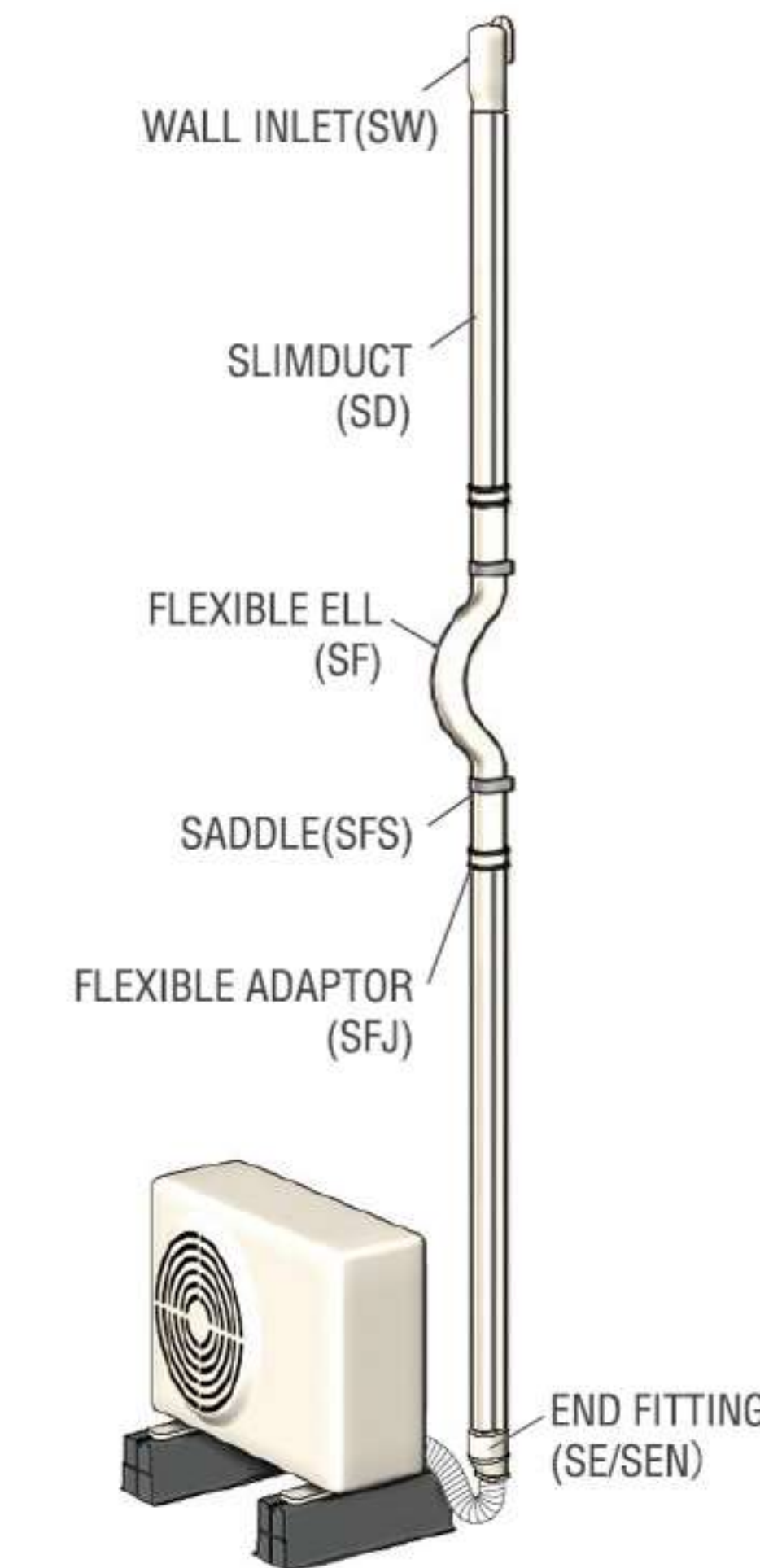
For not only HVAC but also plumbing.

Examples of Applications

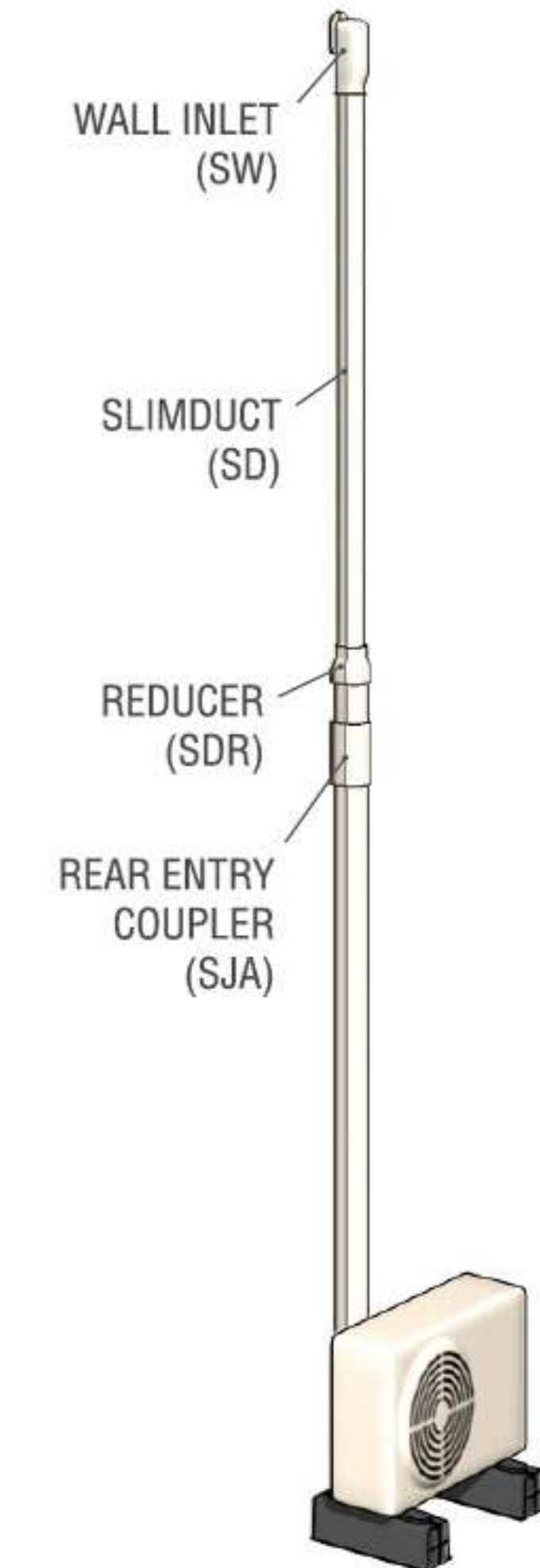
Basic Application



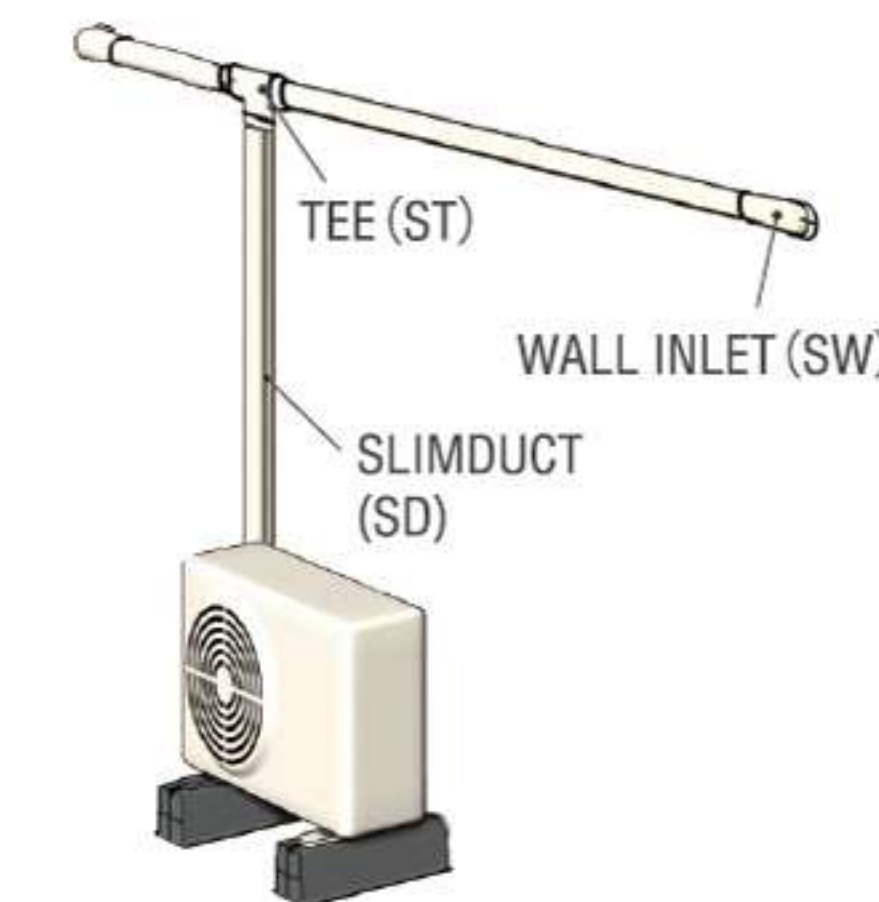
Application for Obstacles



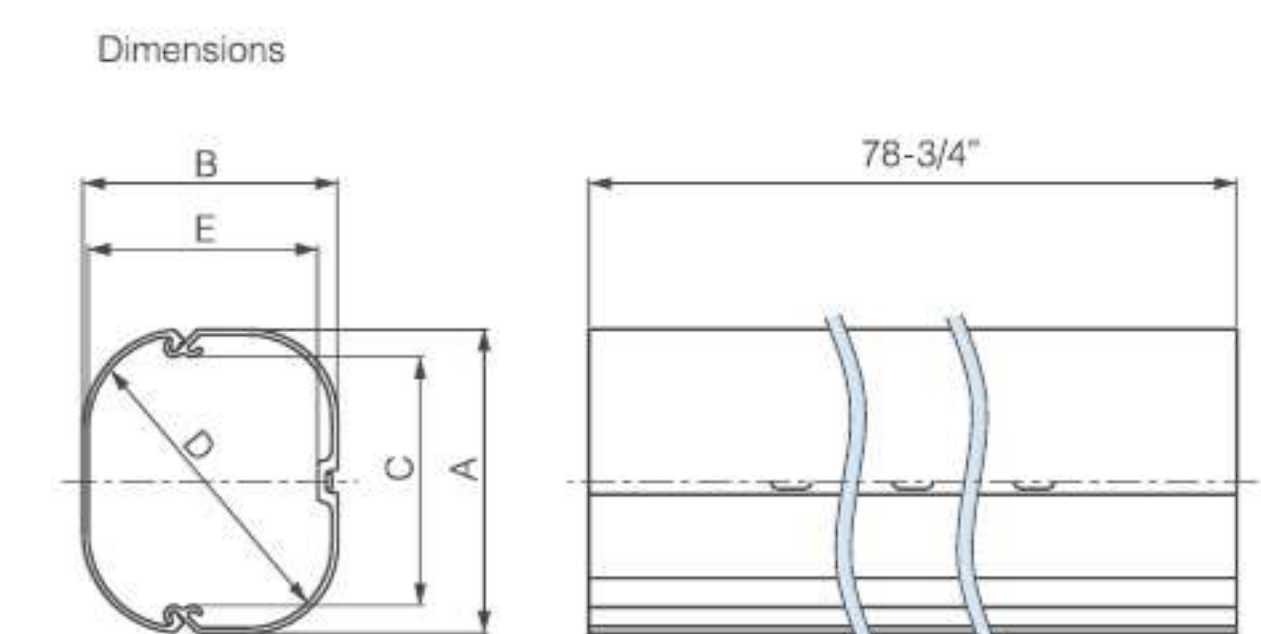
Vertical Multiple Run Application



Horizontal Multiple Run Application



SD STRAIGHT DUCT



Code No.	Item No.	A	B	C	D	E	Pcs/Bundle
C 0402	SD-77	3"	2-1/2"	2-3/8"	2-3/8"	3"	15
C 0403	SD-100	4"	2-7/8"	3-1/2"	3-1/2"	4"	10
C 0404	SD-140	5-5/8"	3-1/4"	4-7/8"	4-7/8"	5-3/8"	5

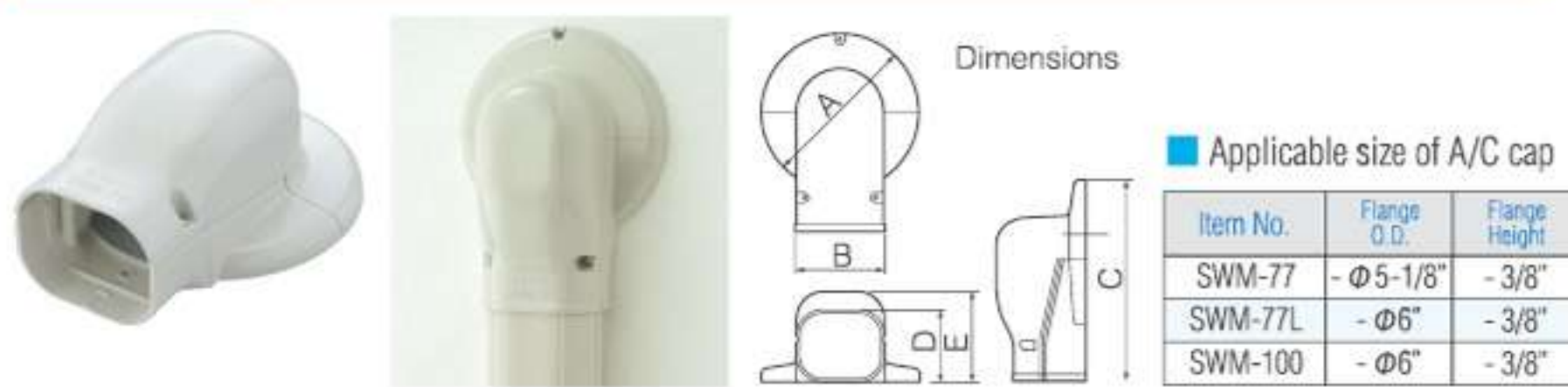
SW WALL INLET



Code No.	Item No.	A	B	C	D	E	Pcs/Pkg*
C 0412	SW-77	3-3/8"	2-5/8"	4-3/8"	8-1/8"	3-1/8"	60 (20)
C 0413	SW-100	4-3/8"	3"	5-1/8"	8-7/8"	3-1/2"	10 (10)
C 0414	SW-140	5-3/4"	3-3/8"	6-5/8"	11-1/8"	3-7/8"	5 (5)

(*) shows quantities of Gray, White, Black, and Brown.

SWM WALL INLET for A/C Cap



Code No.	Item No.	A	B	C	D	E	Pcs/Pkg
C 0408	SWM-77	5-7/8"	3-1/4"	7-1/2"	2-3/4"	3-3/8"	10
C 0407	SWM-77L	6-3/8"	3-1/4"	8-1/4"	2-3/4"	3-3/8"	10
C 0409	SWM-100	6-5/8"	4-1/4"	8-1/2"	3"	3-3/4"	10

SWX WALL INLET for A/C Cap and A/C with Ventilation



Code No.	Item No.	A	B	A/C Cap Size		Pcs/Pkg
				Flange O.D.	Flange Height	
C 0410	SWX-77	5-7/8"	7-7/8"	5-1/8"	1/2"	10
C 0415	SWX-77L	6-3/8"	8-1/4"	6-1/8"	1/2"	10

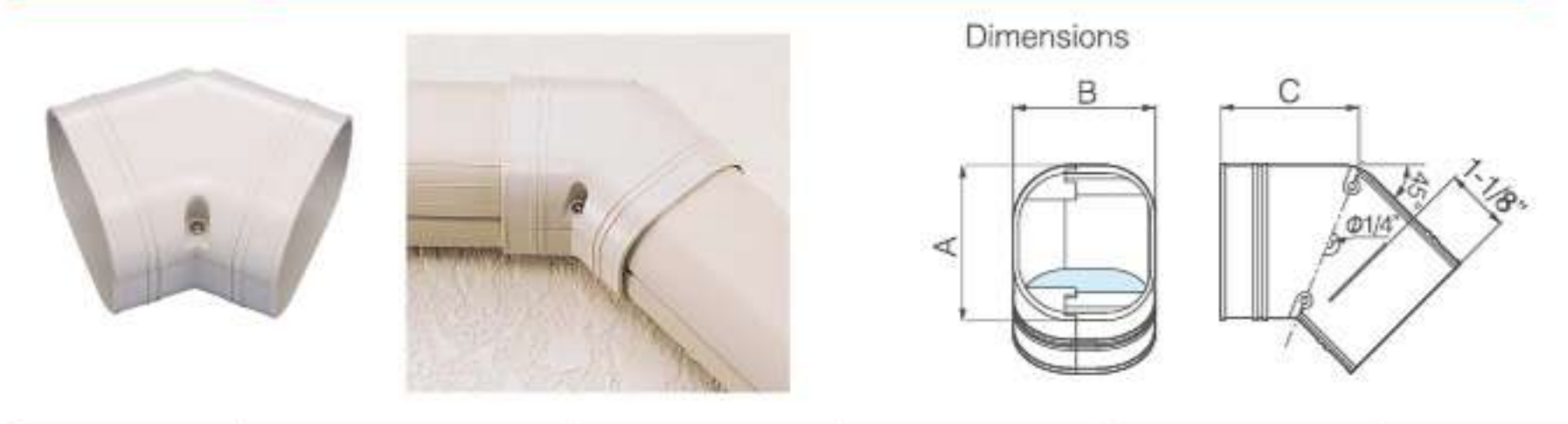
Color ... 77 = Ivory, Brown, Black, Gray
77L = Ivory, Brown, Black, Gray, White
Material ... PVC + ABS (at lattice)

SKS ADJUSTABLE FLAT ELL 45° to 90° corner



Code No.	Item No.	A	B	Pcs/Pkg
C 0538	SKS-77	3-1/4"	2-3/4"	10
C 0539	SKS-100	4-1/4"	3"	10

SKF 45° FLAT ELL



Code No.	Item No.	A	B	C	Pcs/Pkg
C 7312	SKF-77	3-1/4"	2-3/4"	2-5/8"	20
C 7313	SKF-100	4-1/4"	3"	3"	10
C 7314	SKF-140	5-7/8"	3-3/8"	3-5/8"	5

SWA WALL INLET for Base-Free



Code No.	Item No.	Pcs/Pkg
C 0429	SWA-77	20

*It is not guaranteed to fit in this item with every existing pipe installation. Check the job site before use.

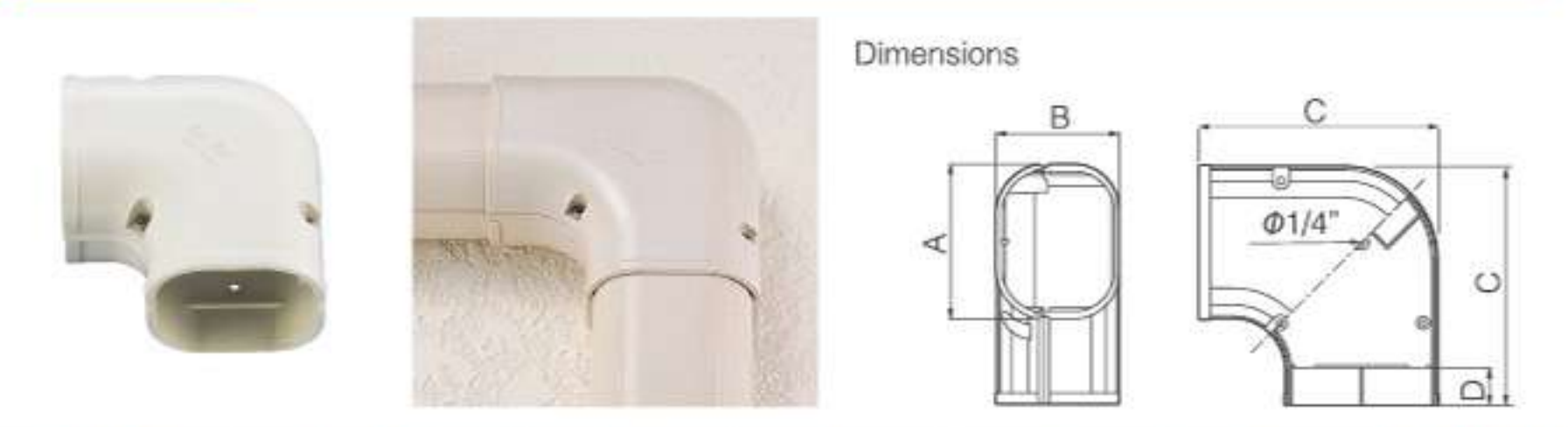
SWK WALL INLET for A/C with Ventilation



Code No.	Item No.	A	B	C	D	Pcs/Pkg
C 7352	SWK-77N	8-1/8"	4-5/8"	5"	2-3/4"	10

Material... PVC + ABS (at lattice)

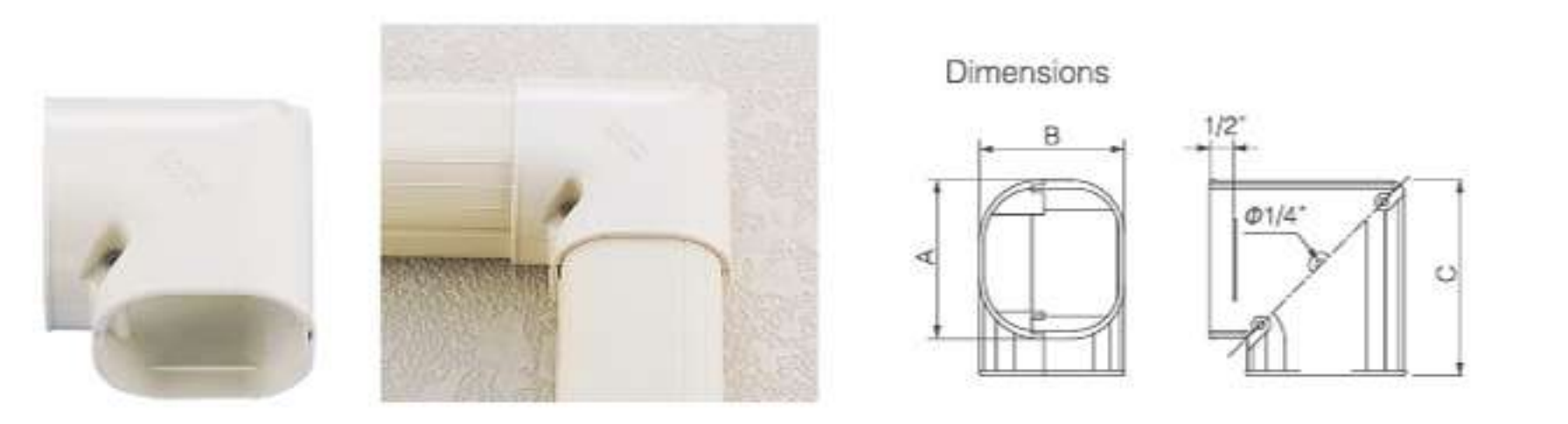
SK 90° FLAT ELL



Code No.	Item No.	A	B	C	D	Pcs/Pkg*
C 0422	SK-77	3-1/4"	2-5/8"	5-1/8"	7/8"	60 (20)
C 0423	SK-100	4-1/4"	3"	6"	7/8"	10 (10)
C 0424	SK-140	5-3/4"	3-3/8"	7-1/2"	1-1/4"	5 (5)

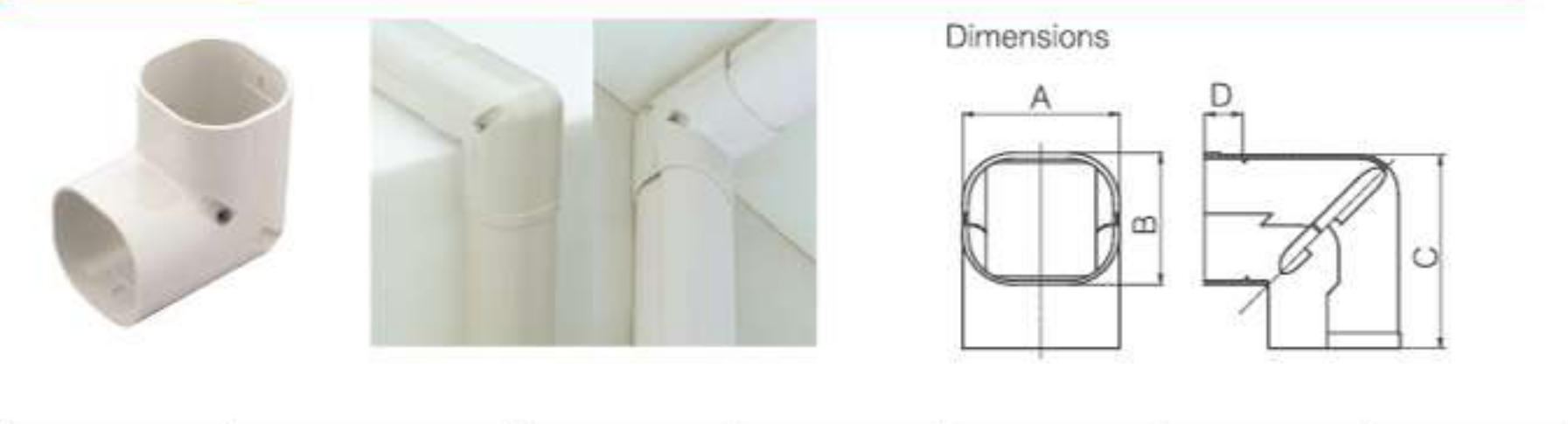
(*) shows quantities of Gray, White, Black, and Brown.

SKM 90° MINI FLAT ELL



Code No.	Item No.	A	B	C	Pcs/Pkg
C 7302	SKM-77	3-1/4"	2-3/4"	3-7/8"	20

SC 90° VERTICAL ELL



Code No.	Item No.	A	B	C	D	Pcs/Pkg*
C 0432	SC-77	3-1/4"	2-3/4"	4"	7/8"	60 (20)
C 0433	SC-100	4-1/4"	3"	4-5/8"	1-1/4"	10 (10)
C 0434	SC-140	5-3/4"	3-3/8"	5"	1-1/4"	5 (5)

(*) shows quantities of Gray, White, Black, and Brown.

SCM 90° MINI VERTICAL ELL



Code No.	Item No.	A	B	C	Pcs/Pkg
C 7322	SCM-77	3-1/4"	2-3/4"	3-1/4"	20

SN 90° TWIST ELBOW



Code No.	Item No.	Pcs/Pkg
C 0517	SN-77	5
C 0537	SN-100	6

SJ COUPLER



Code No.	Item No.	A	B	C	Pcs/Pkg*
C 0442	SJ-77	3-3/8"	2-3/4"	2"	60 (20)
C 0443	SJ-100	4-3/8"	3"	2-5/8"	20 (20)
C 0444	SJ-140	5-3/4"	3-3/8"	3-5/8"	10 (10)

(*) shows quantities of Gray, White, Black, and Brown.

SIF 50MM (2") FIXED OFFSET



Code No.	Item No.	A	B	Pcs/Pkg
C 0417	SIF-77	3-3/8"	2-3/4"	10
C 0418	SIF-100	4-3/8"	3"	10

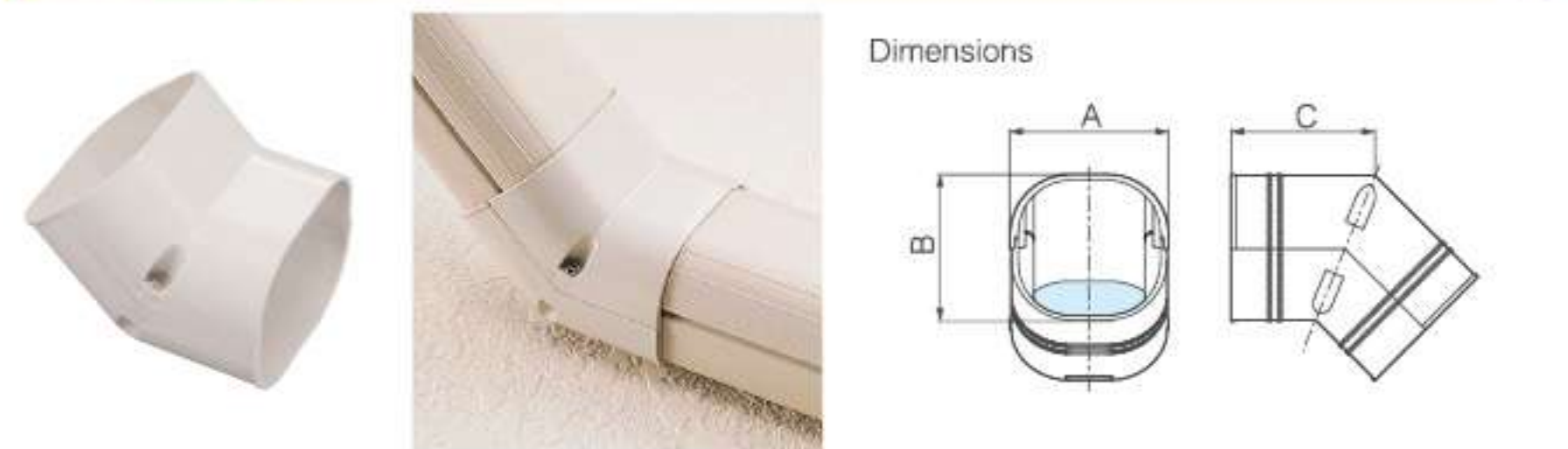
SE END FITTING



Code No.	Item No.	A	B	C	D	E	Pcs/Pkg*
C 0449	SE-77	2-1/8"	1-3/4"	1-7/8"	3-1/4"	2-3/4"	60 (20)

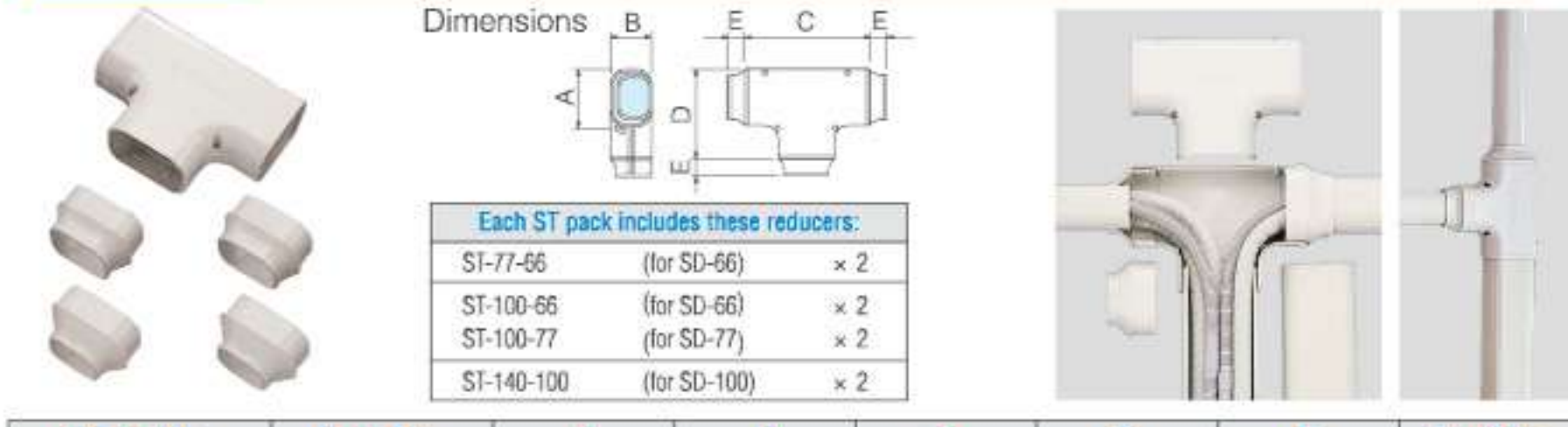
(*) shows quantities of Gray, White, Black, and Brown.

SCF 45° VERTICAL ELL



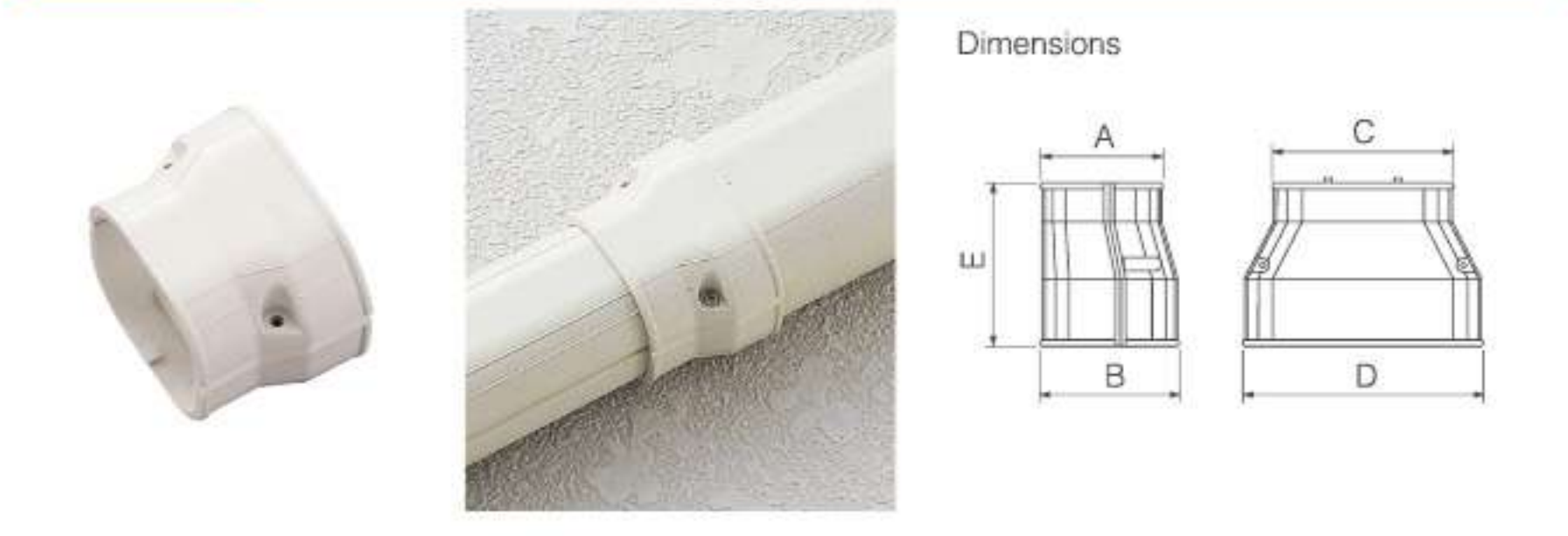
Code No.	Item No.	A	B	C	Pcs/Pkg
C 7332	SCF-77	3-1/4"	2-3/4"	2-1/2"	20
C 7333	SCF-100	4-1/4"	3"	2-5/8"	10
C 7334	SCF-140	5-7/8"	3-3/8"	2-3/4"	5

ST TEE



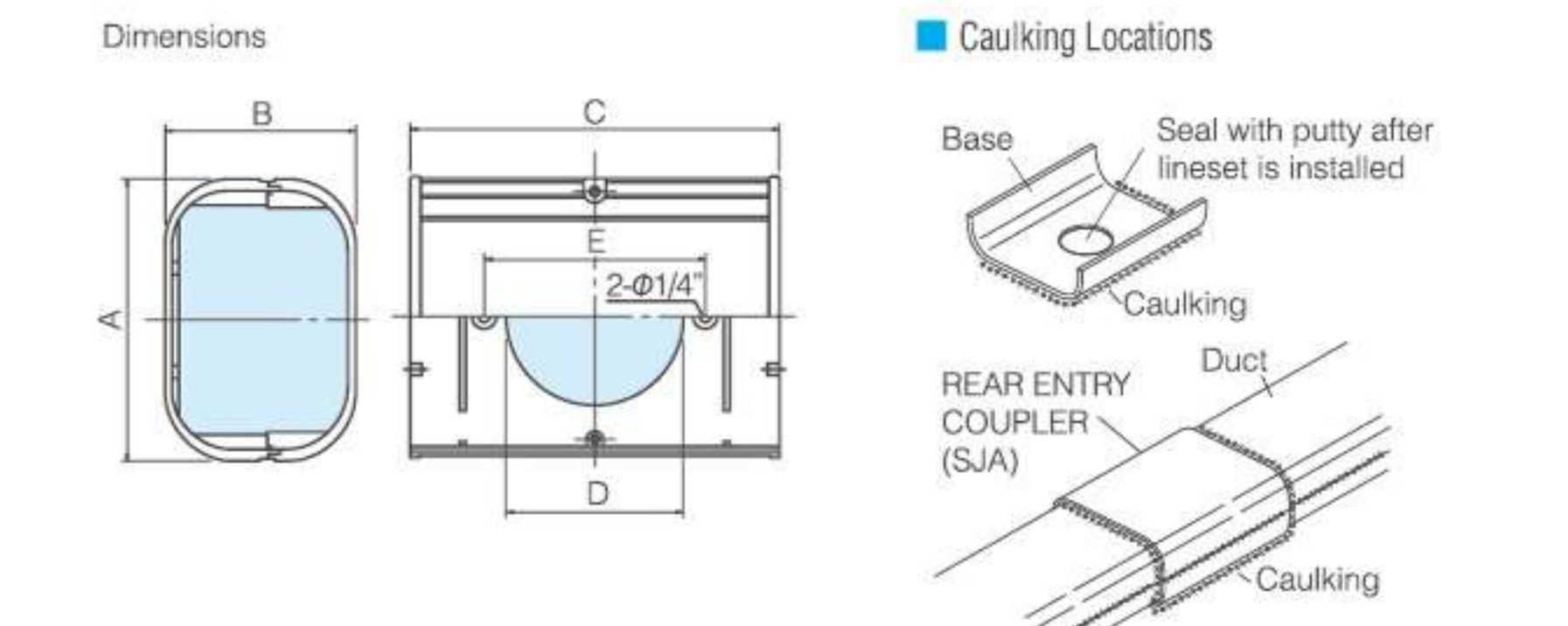
Code No.	Item No.	A	B	C	D	E	Pcs/Pkg
C 0462	ST-77	3-3/8"	2-3/4"	6-1/2"	5"	1-1/4"	10
C 0461	ST-100	4-3/8"	3-1/8"	7-7/8"	6-1/8"	1-3/8"	10
C 0463	ST-140	5-7/8"	3-1/2"	9-7/8"	7-7/8"	1-3/8"	5

SDR REDUCER



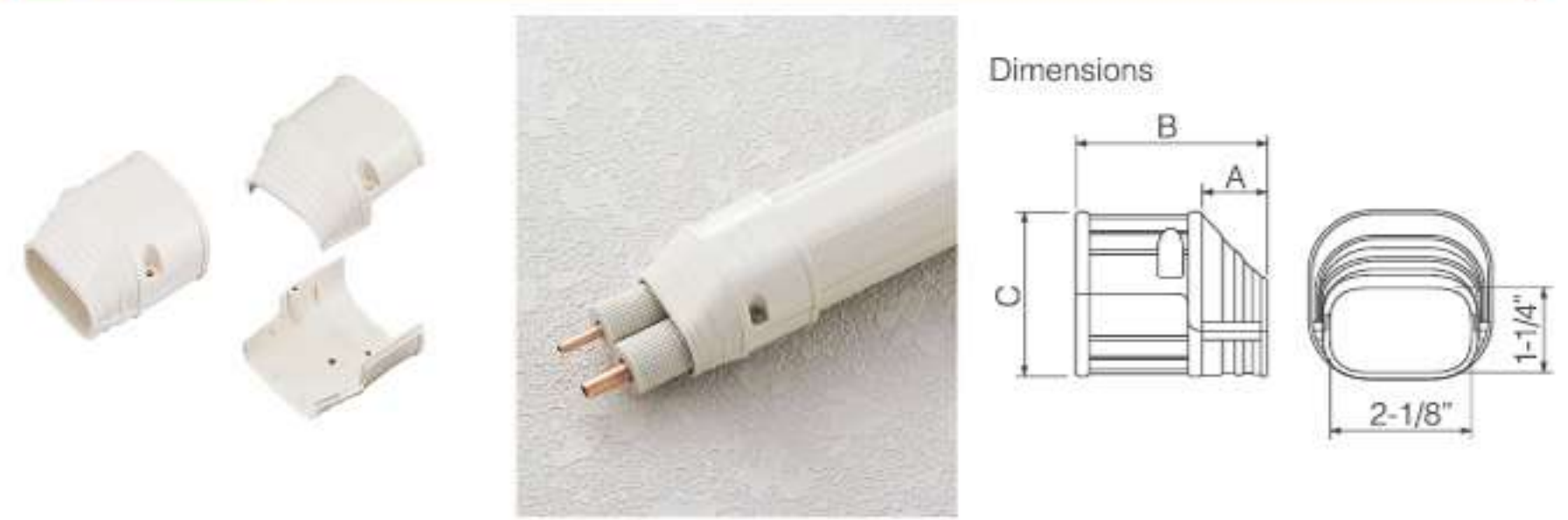
Code No.	Item No.	A	B	C	D	E	Pcs/Pkg
C 0477	SDR100-77	2-5/8"	3"	3-1/4"	4-1/4"	2-5/8"	20
C 0478	SDR140-100	3"	3-3/8"	4-3/8"	5-7/8"	4"	10

SJA REAR ENTRY COUPLER



Code No.	Item No.	A	B	C	D	E	Pcs/Pkg
C 0445	SJA-100	4-3/8"	3"	5-7/8"	2-7/8"	3-1/2"	20

SEN END FITTING



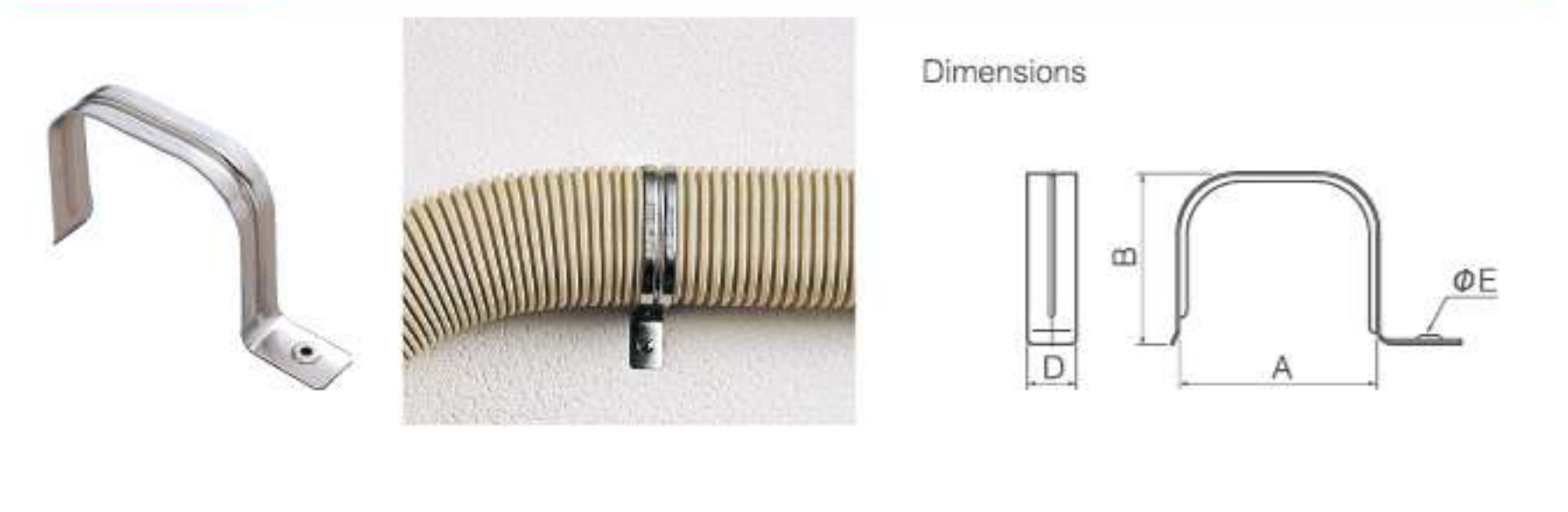
Code No.	Item No.	A	B	C	Pcs/Pkg
C 0488	SEN-100	2-1/4"	4-1/2"	3"	20
C 0489	SEN-140	3-1/8"	6"	3-3/8"	10

SP SOFFIT INLET



Code No.	Item No.	A	B	C	D	E	Pcs/Pkg
C 7342	SP-77	3-1/4"	2-3/4"	4-3/8"	5-1/8"	4"	20
C 7343	SP-100	4-1/4"	3"	5-3/8"	5-1/2"	4-1/4"	10
C 7344	SP-140	5-3/4"	3-3/8"	7"	5-7/8"	4-5/8"	5

SFS SADDLE for FLEXIBLE ELL SF



Code No.	Item No.	A	B	D	E	Pcs/Pkg
C 0612	SFS-77	3"	2-1/2"	3/4"	1/4"	60
C 0613	SFS-100	4"	2-7/8"	7/8"	3/8"	40
C 0614	SFS-140	5-3/4"	3-3/8"	7/8"	3/8"	40

SFJ SF FLEXIBLE ADAPTOR



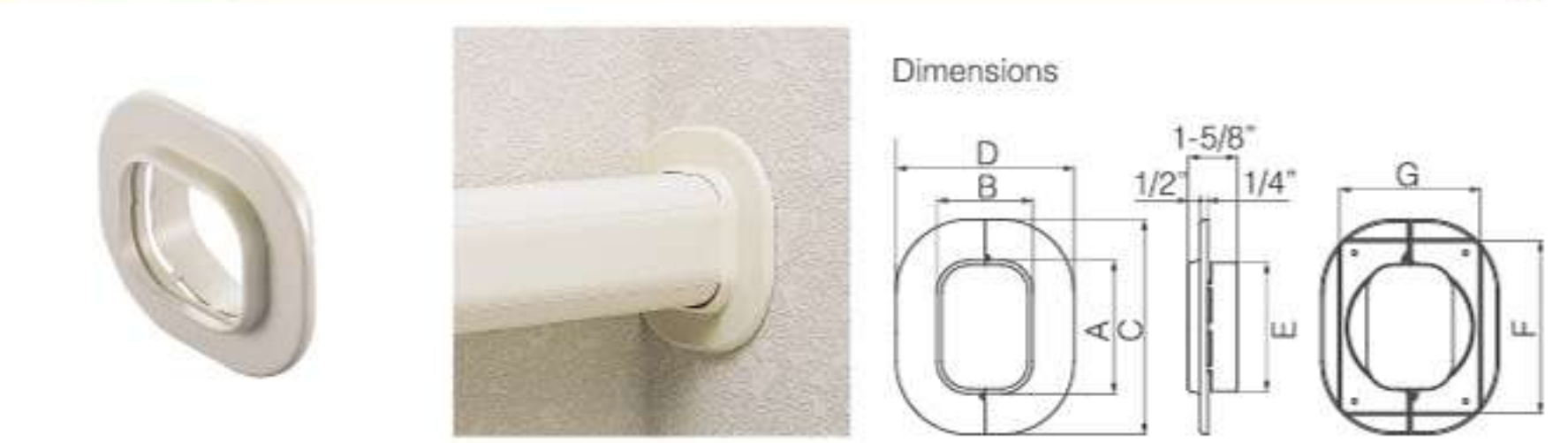
Code No.	Item No.	A	B	C	Pcs/Pkg
C 0437	SFJ-77	3-3/8"	2-5/8"	1-1/2"	20
C 0438	SFJ-100	4-3/8"	3"	1-5/8"	20

* Use in combination with SFS.
* For secure joint, insert 2 corrugations of SF into SFJ adaptor.

Caution

- SLIMDUCT SD IS NOT WATERPROOF. To waterproof, seal all longitudinal and lateral seams, screw heads and wall penetration with weatherproof sealant or putty.
- SLIMDUCT SD duct and fittings are suitable for use and storage within a temperature range of -4°F to 140°F. Deformation may occur at temperatures exceeding 140°F. Protect SLIMDUCT installation from direct and radiant heat.
- When attaching SLIMDUCT to wall, use only pan head screws. Do not use flat head or countersunk screws as they can exert too much pressure and crack the PVC material.
- Use of impact screwdrivers to attach SLIMDUCT to wall and to tighten fixing screws on fittings is highly discouraged as they can easily overtighten the screws and crack the PVC material. Use hand screwdrivers for precise torque control.
- Use SL-300 STRAP KIT to retain lineset inside duct.
- For further information, refer to SLIMDUCT SD Installation Manual.

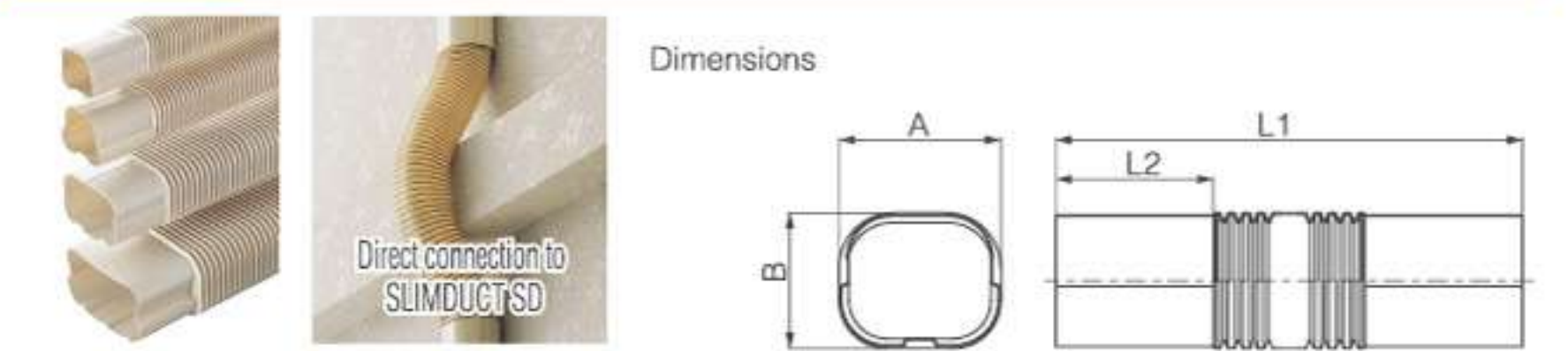
SWC WALL FLANGE



Code No.	Item No.	A	B	C	D	E	F	G	Diameter of core drill	Pcs/Pkg
C 0482	SWC-77	3-3/8"	2-7/8"	5"	4-5/8"	3-1/4"	4-3/8"	3-5/8"	3-3/8"	100
C 0483	SWC-100	4-3/8"	3-1/8"	6-7/8"	5-3/4"	4-1/8"	5-5/8"	4-1/2"	4-3/8"	50
C 0484	SWC-140	5-7/8"	3-1/2"	8-3/4"	7-1/8"	5-3/4"	7-3/4"	6-1/8"	5-3/4"	20

Material ... ABS

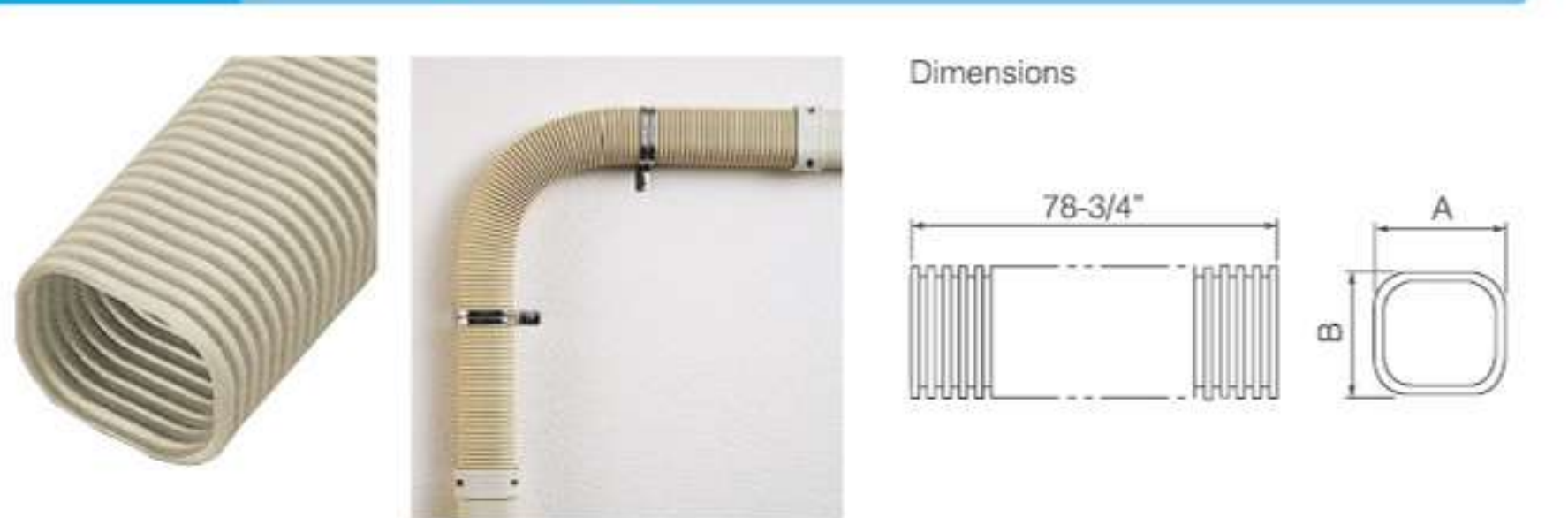
SF FLEXIBLE ELL with End Cuffs



Code No.	Item No.	A	B	L1	L2	Pcs/Pkg
C 0453	SF-77-500	3"	2-1/2"	20-7/8"	3-1/2"	20
C 0454	SF-77-1000	3"	2-1/2"	41-3/4"	3-1/2"	20
C 0455	SF-100-800	4"	2-7/8"	31-1/2"	2-7/8"	10
C 0456	SF-140-800	5-5/8"	3-1/4"	31-1/2"	3-1/4"	5

Material ... PE (77), PP (100/140)

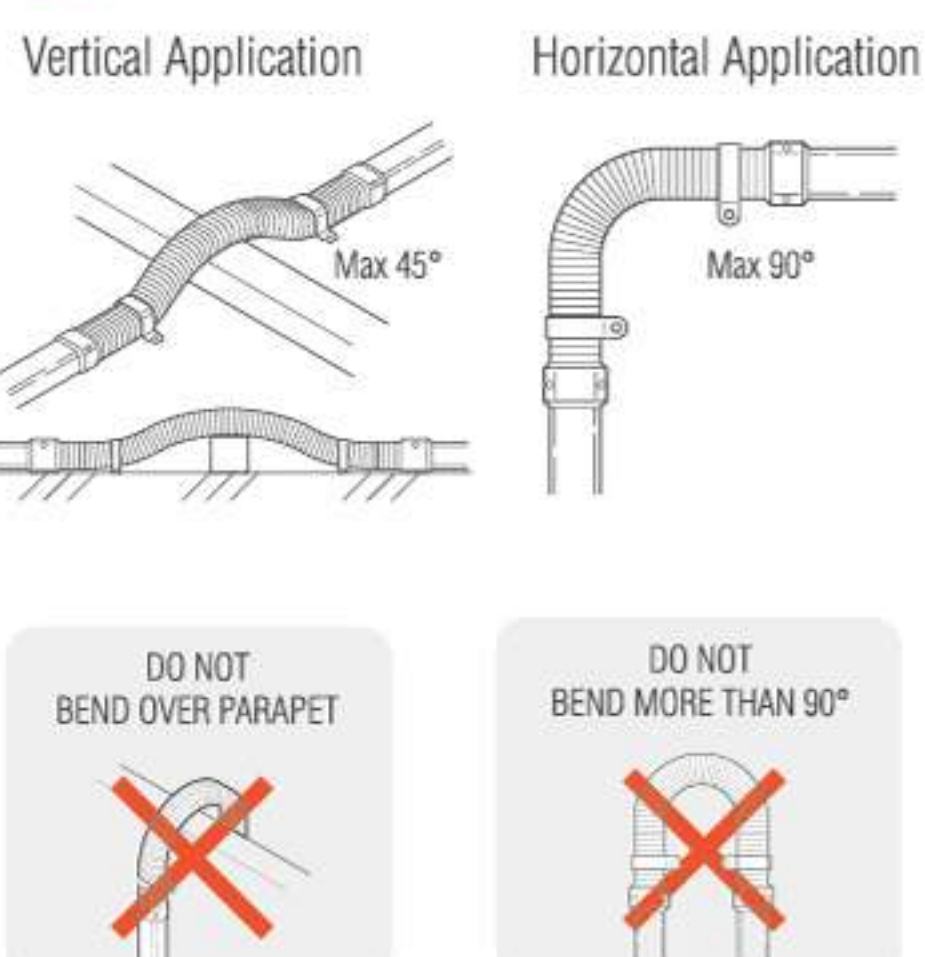
SF 2M (78-3/4") FLEXIBLE ELL without End Cuffs



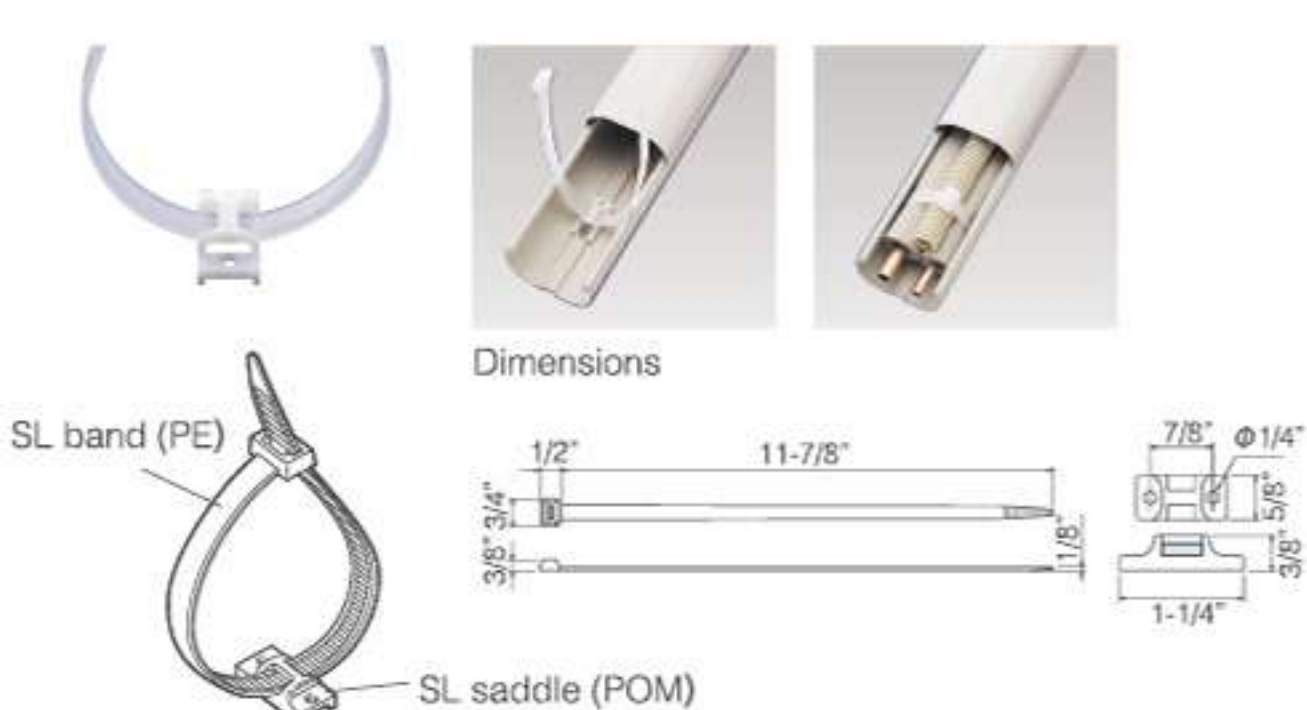
Code No.	Item No.	A	B	Pcs/Pkg
C 0460	SF-77-2000	3"	2-1/2"	10

Material ... PE *Use only in conjunction with SFJ Coupler and SFS Clamp.

Application Example for FLEXIBLE ELL



SL STRAP KIT For SLIMDUCT

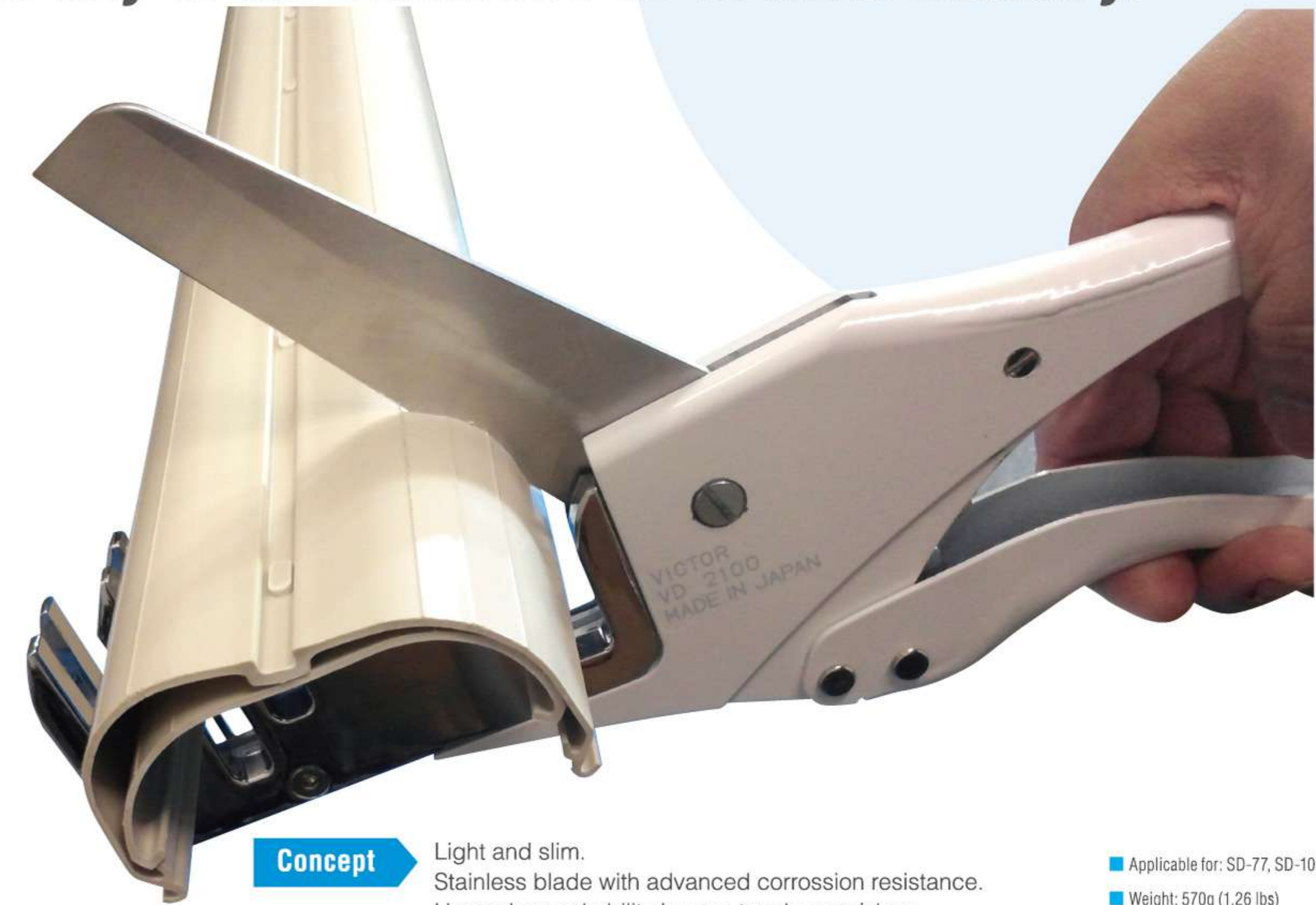


Code No.	Item No.	Pcs/Pkg
C 04720	SL-300	500

Material ... PE (SL band), POM (SL saddle)
*Do not overtighten strap! That may decrease insulation performance.

LINESET COVER CUTTER

Best way to cut SLIMDUCT SD in HVAC industry.



Concept

Light and slim.
Stainless blade with advanced corrosion resistance.
Upgrades workability by one-touch open/close.
Supports SLIMDUCT tightly by the fortified high rigidity body.
Aesthetic finish and NO swarf.

- Applicable for: SD-77, SD-100
- Weight: 570g (1.26 lbs)
- Size : Total length : 310mm (12-1/4")
Width : 90mm (3-5/8")
Thickness : 18mm (3/4")

VD SLIMDUCT CUTTER



JAN Code / 4953998006133

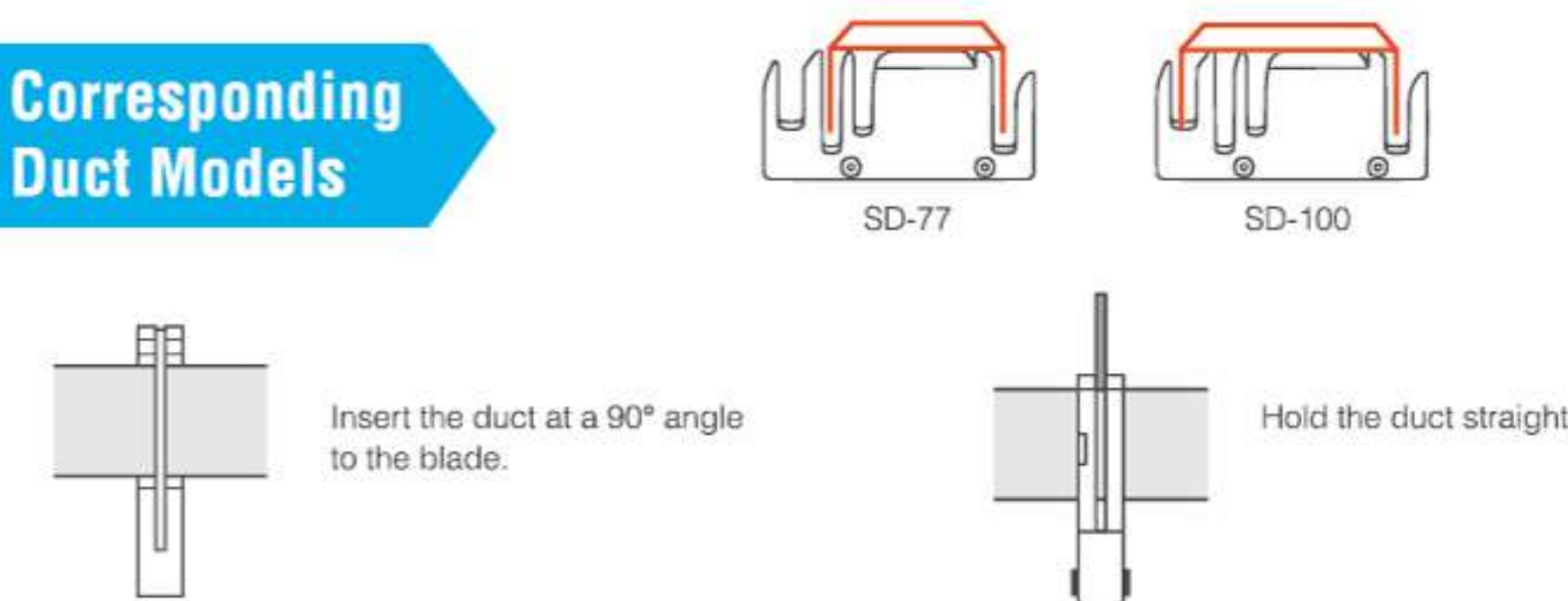


JAN Code / 4953998006140

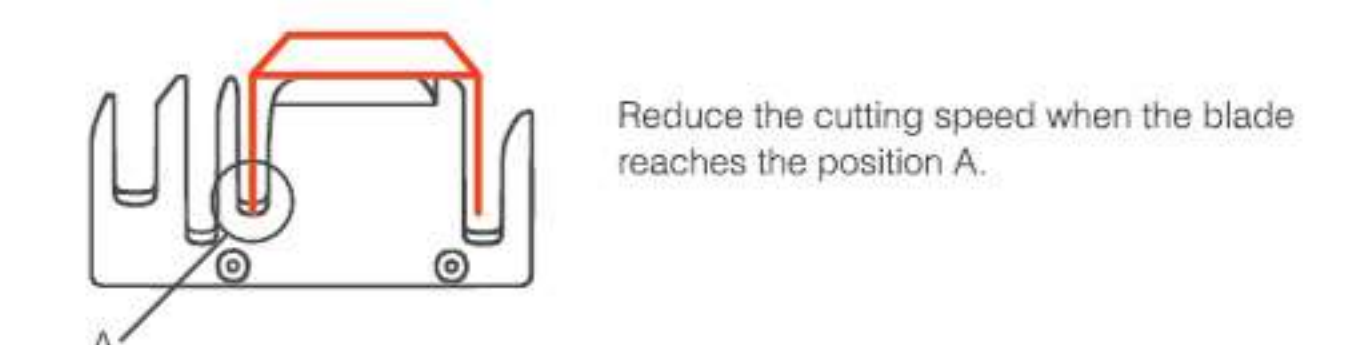
Item No.	Product Name
VD2100	SLIMDUCT CUTTER

Item No.	Product Name
VD021	Spare Blade

Corresponding Duct Models



*The number shown in the upper figure is estimated based on the condition that the blade is not dull or chipped.



Precautions

- Wear safety goggles or glasses for your own safety.
- Be careful not to get your fingers caught in the moving parts.
- Keep your fingers and hands away from the blade.
- Do not use the tool for any purpose other than cutting ducts.
- Do not cut any duct apart from the designated size.
- To avoid ducts from cracking at low temperatures, cut the ducts very slowly or after heating the ducts with hot air.
- The duct edge may be slanted depending on the angle of the cut.
- Do not throw or drop the tool as this could damage the body itself or the blade receiver.

Warnings

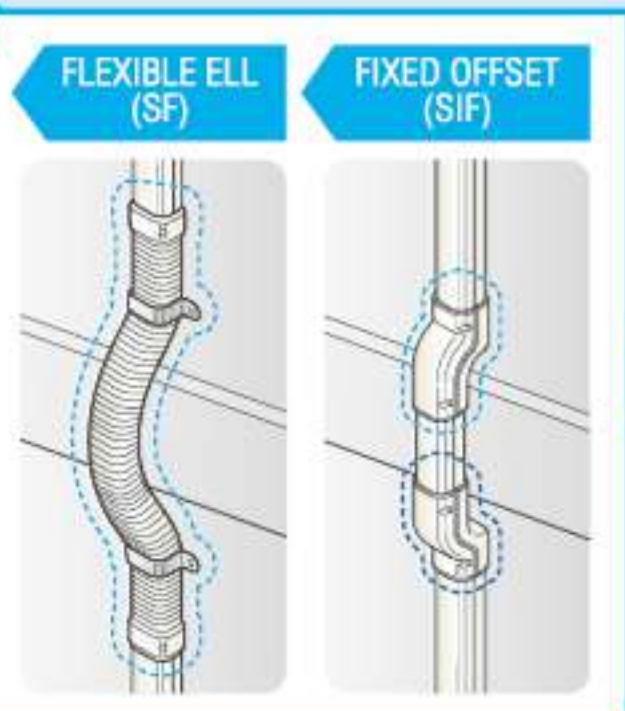
Do not touch the blade with your fingers directly since the blade is very sharp. Moreover, wear safety gloves while you cut ducts or replace the blade.

LINESET COVER - Residential Elevating System

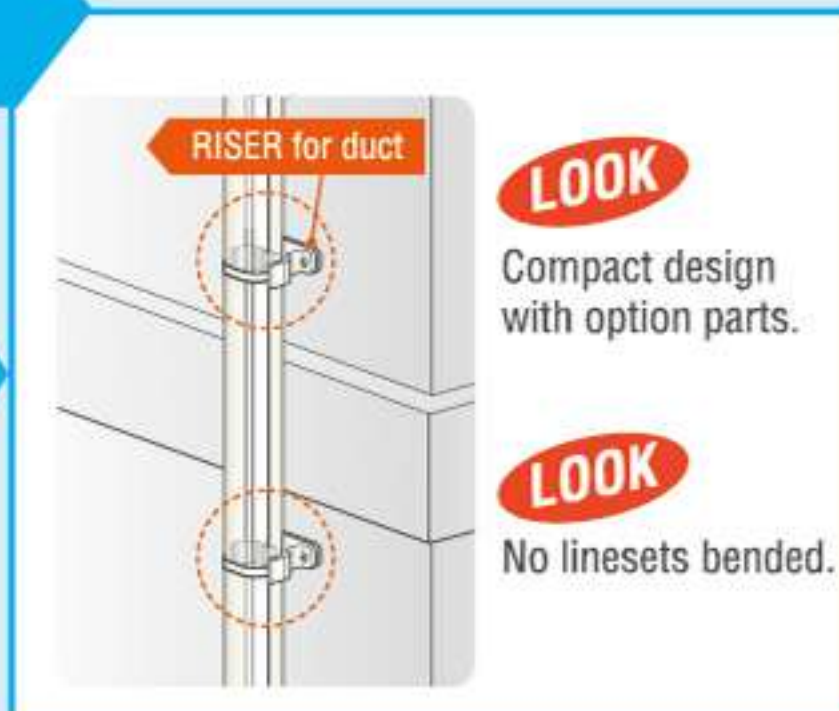


- Color: Available in Ivory color.
- Size: Available in SD-77 Series (3").
- Use in combination with the duct and fittings of SD-77 series.
- The best solution to insure the beautiful finish by elevating and letting SLIMDUCT SD run over obstacles or unevenness on the wall.

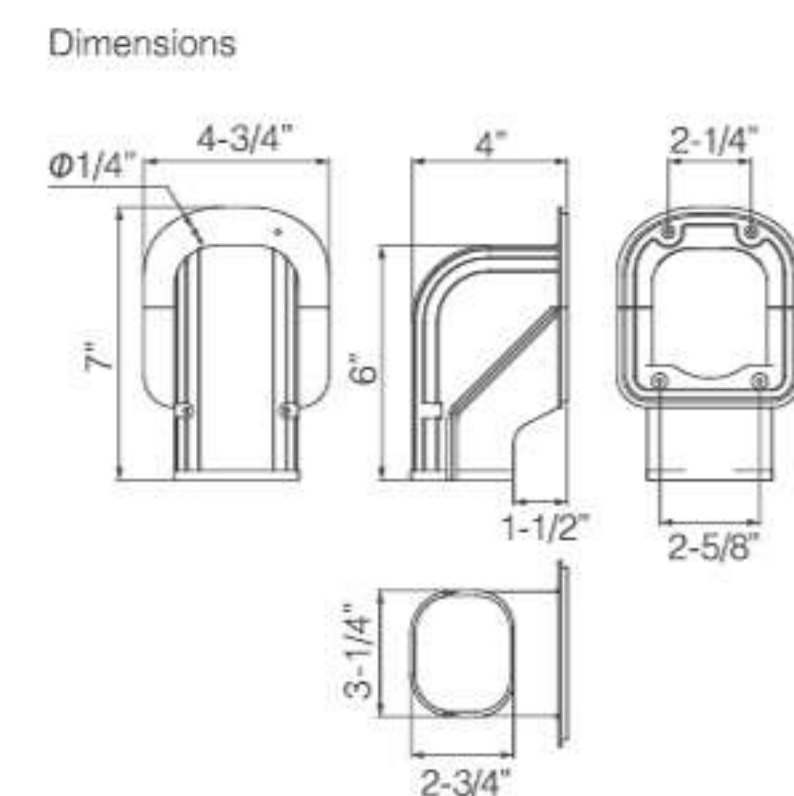
Traditional installation



Elevating System



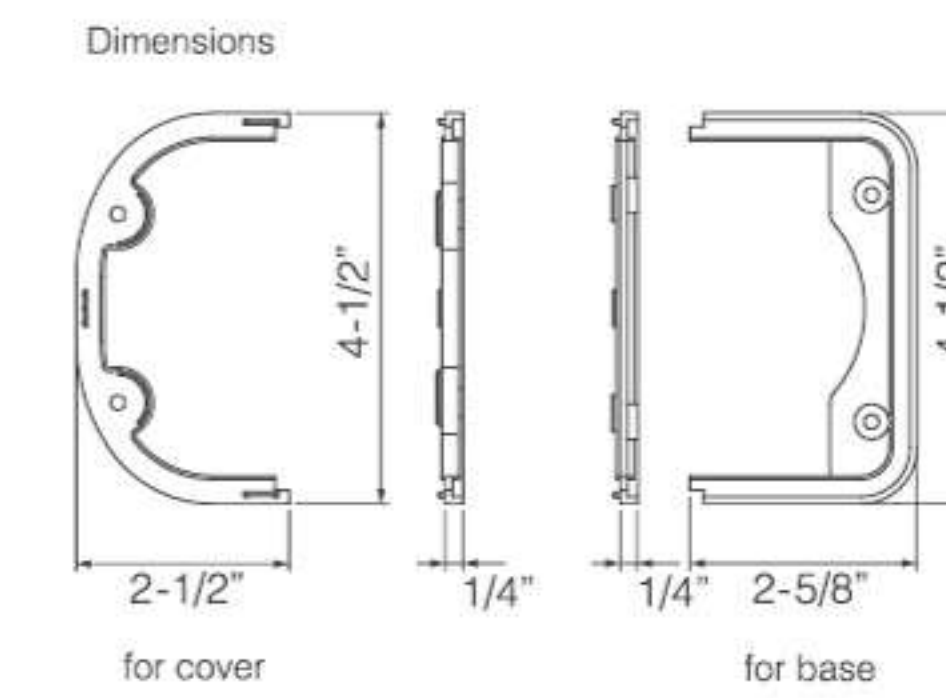
SWU WALL INLET



Code No.	Item No.	Pcs/Pkg
05452	SWU-77-I	100

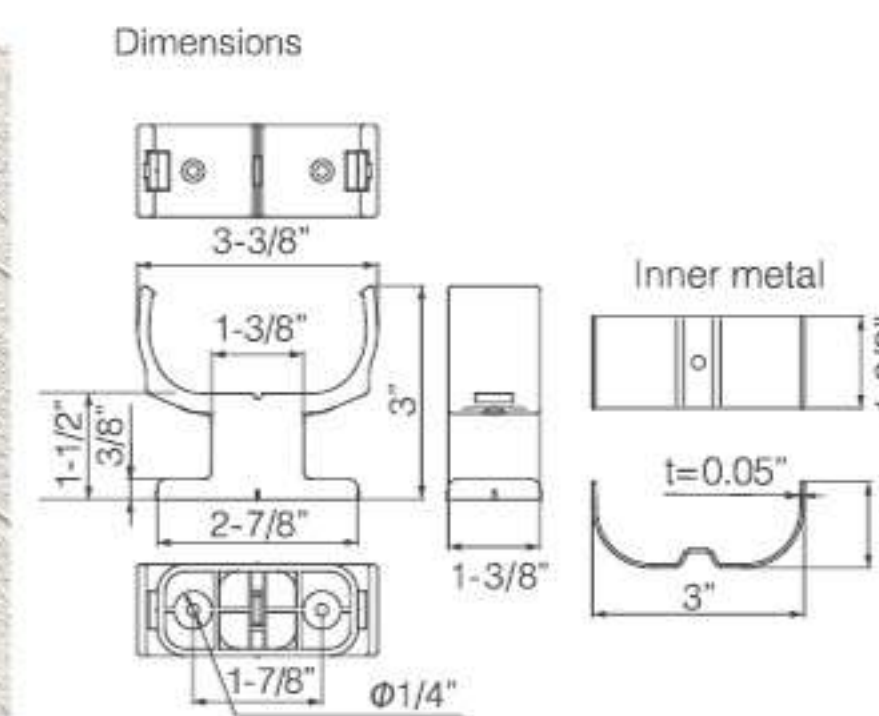
inabadenko-america.com

SWUS HEIGHT ADJUSTER for SWU



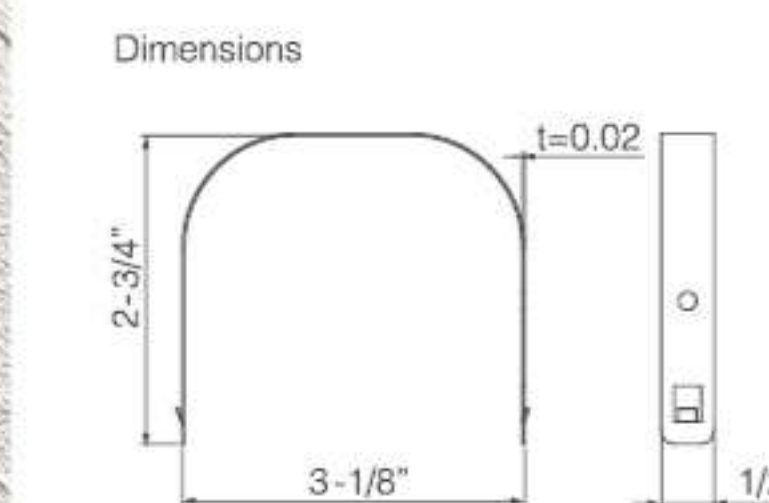
Code No.	Item No.	Pcs/Pkg
05452	SWUS-77-I	100

SDUD RISER for duct



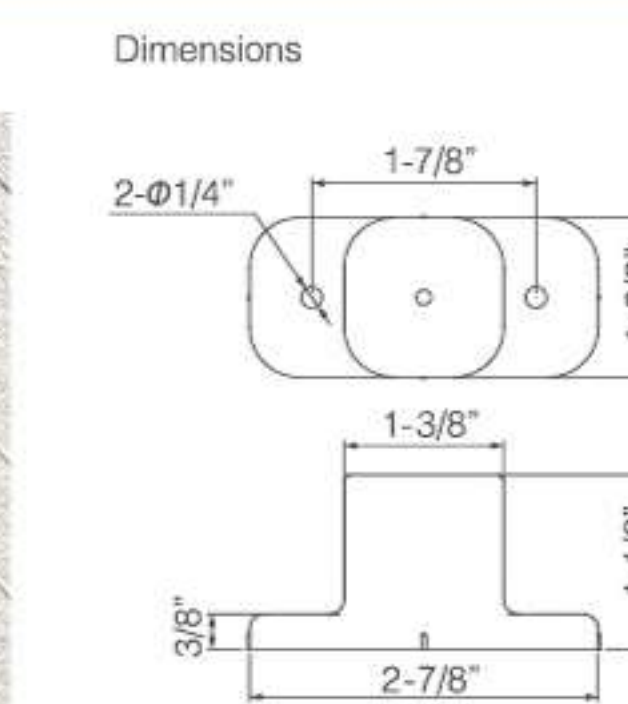
Code No.	Item No.	Pcs/Pkg
05462	SDUD-77-I	50

SDUO CLAMP



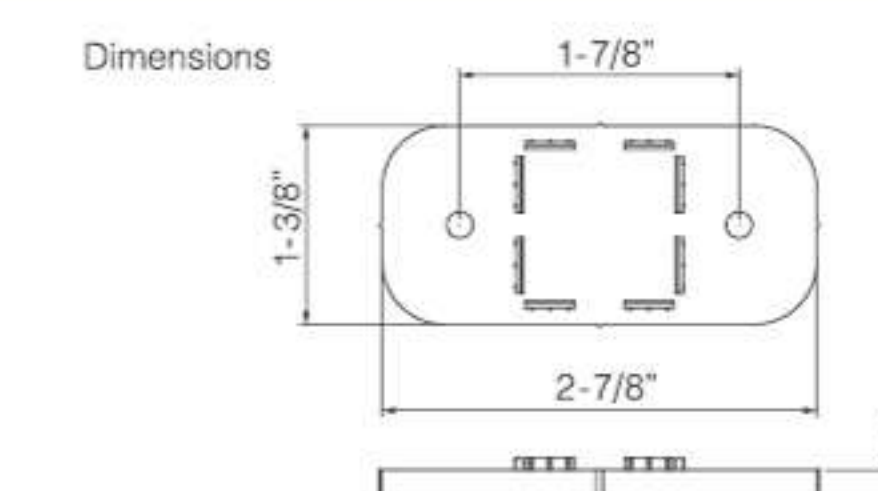
Code No.	Item No.	Pcs/Pkg
05452	SDUD-77-I	200

SDUP RISER for fittings



Code No.	Item No.	Pcs/Pkg
05472	SDUP-77-I	50

SDUS HEIGHT ADJUSTER for SDUD



Code No.	Item No.	Pcs/Pkg
05482	SDUS-77-I	100

inabadenko-america.com

LINESET COVER - Commercial

TECHNICAL SPECS

Material:

Weather resistant, UV stabilized, and Flame retardant PVC.

Weather Resistant:

Tested to over 2,000 hours. (JIS D 0205, SWOM TEST)



Fixing Screw:

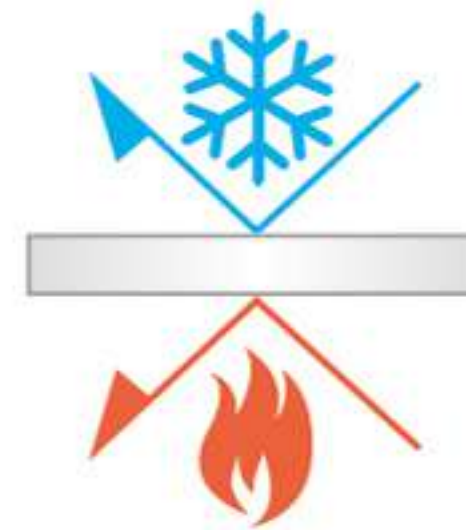
Stainless Steel, includes PDL, PDH, PDY and PDU.

Color:

Ivory

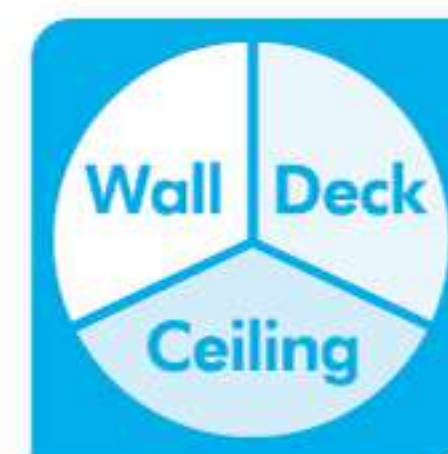
Temperature Range:

-4°F to 140°F.



Application:

Elevates lineset from wall, ceiling or deck surface.



Size:

PD-90 (3-1/2"), PD-120 (4-5/8"), PD-140 (5-3/8")

Lineset Capacity:

Item#	Insulation thickness	Lineset size (Liquid line x Suction line)													
		1/4" x 3/8"	1/4" x 1/2"	1/4" x 5/8"	3/8" x 5/8"	3/8" x 3/4"	3/8" x 7/8"	1/2" x 1-1/8"	5/8" x 1-1/8"	5/8" x 1-1/4"	3/4" x 1-1/4"	3/4" x 1-1/2"	7/8" x 1-1/2"	7/8" x 1-5/8"	
PD-90	1/2" x 1/2"	1	1	1	1	1	1	-	-	-	-	-	-	-	
	3/4" x 3/4"	-	-	-	-	-	-	-	-	-	-	-	-	-	
PD-120	1/2" x 1/2"	2	2	2	2	1	1	1	1	1	1	1	1	-	
	3/4" x 3/4"	1	1	1	1	1	1	-	-	-	-	-	-	-	
PD-140	1/2" x 1/2"	4	3	3	3	3	2	2	2	1	1	1	1	1	
	3/4" x 3/4"	2	2	1	1	1	1	1	1	1	1	1	-	-	

* Includes Drain Hose(s) (O.D. 1 1/4").

SLIMDUCT PD

SPECIAL FEATURES

Architectural Linesets Cover:

Protects any surface mounted linesets installation, as well as linesets between condenser and SLIMDUCT RD system. Round profile in three sizes provides maximum strength and accommodates larger linesets and complicated configurations.

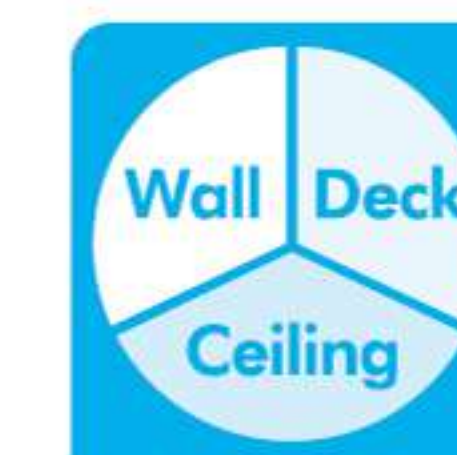
Good Appearance:

Blends in with interior as well as exterior due to stylish compact design, and enhances the appearance of any VRF application.



Innovative Design:

Provides easy mounting and elevates linesets from wall, ceiling or deck surface.



Light and Tough:

UV and weather resistant heavy duty PVC construction resists deformation.



Color:

Available in Ivory to fit into various kinds of properties.

Size:

Available in three sizes, 3-1/2", 4-5/8", 5-3/8", and three lengths, 37-7/8", 57-1/2", 78-3/4".

Fittings:

A full range of various fittings enables to accommodate any complicated configuration.



Easy Installation:

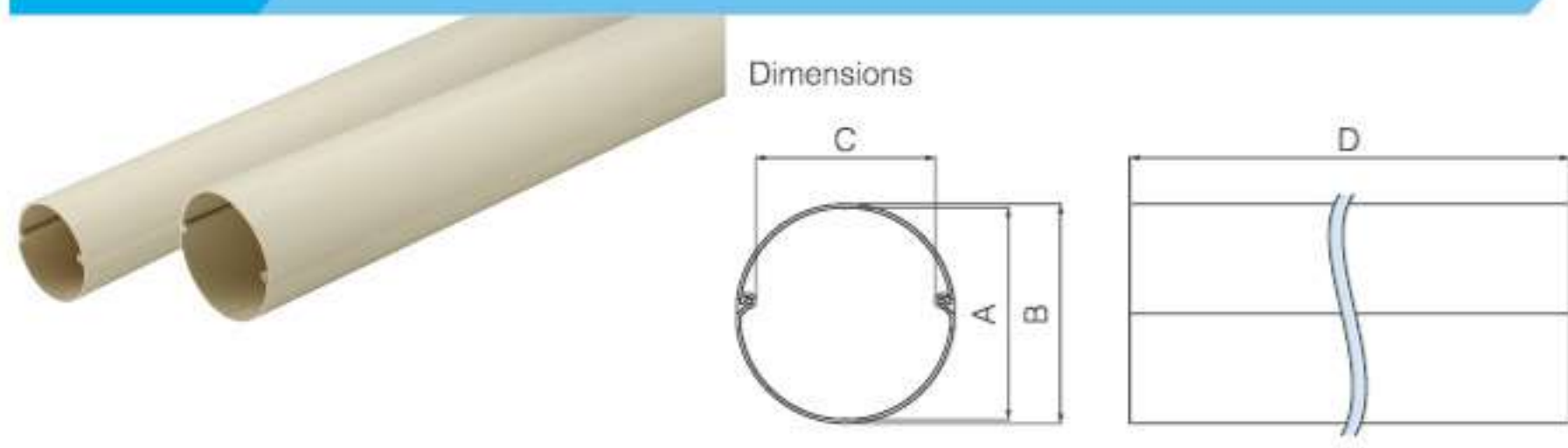
All straight ducts and fittings disassemble for ease of installation, and mount with standard wall mounted pipe brackets.



Versatile:

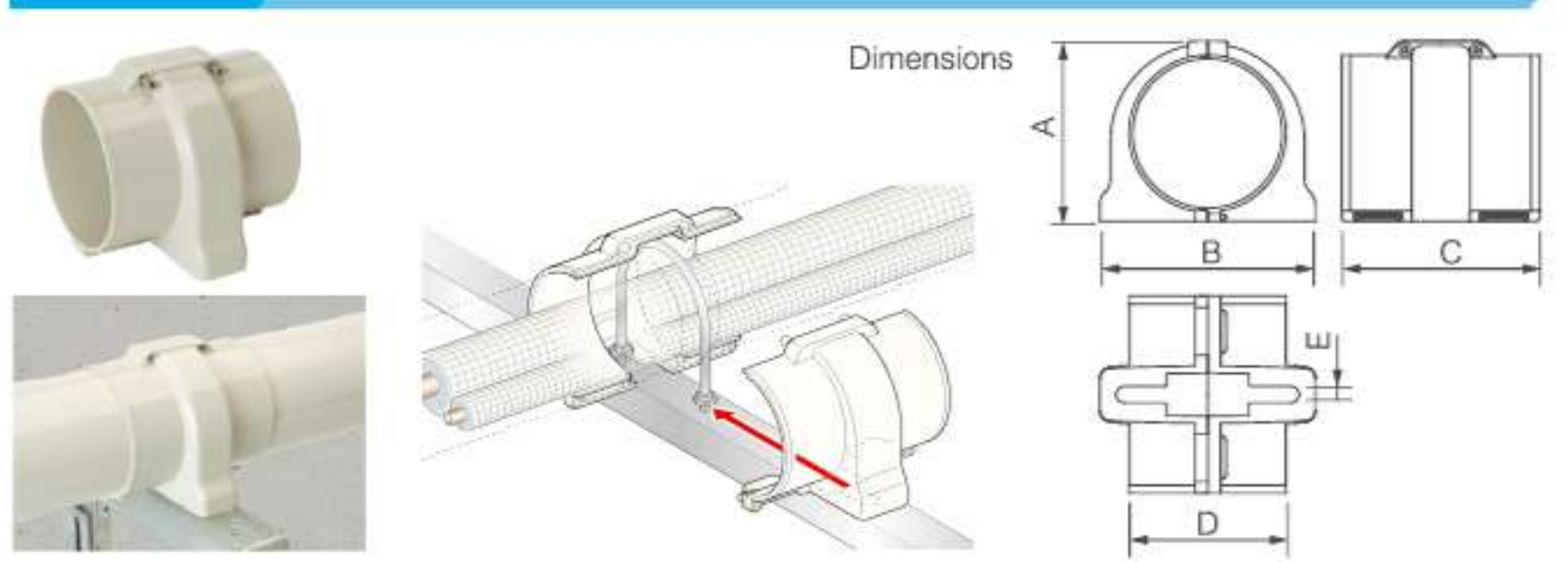
For not only HVAC but also plumbing.

PD STRAIGHT DUCT



Code No.	Item No.	A	B (O.D.)	C (I.D.)	D	Pcs/Pkg
C 68302	PD-90-1000-I	3-1/2"	3-1/2"	3"	37-7/8"	5
C 68312	PD-90-1500-I	3-1/2"	3-1/2"	3"	57-1/2"	5
C 68322	PD-90-2000-I	3-1/2"	3-1/2"	3"	78-3/4"	5
C 68332	PD-120-1000-I	4-5/8"	4-5/8"	4-1/8"	37-7/8"	5
C 68342	PD-120-1500-I	4-5/8"	4-5/8"	4-1/8"	57-1/2"	5
C 68352	PD-120-2000-I	4-5/8"	4-5/8"	4-1/8"	78-3/4"	5
C 68632	PD-140-2000-I	5-3/8"	5-3/8"	5"	78-3/4"	5

PDBK MOUNTING COUPLER FOR BRACKET



Code No.	Item No.	Inserting depth of duct	Applicable PD duct	Applicable U shape clamp or band (width 1" or less)	A	B	C	D	E	Pcs/Pkg
C 68362	PDBK-90-I	2"	PD-90	2-5/8" 3-1/4"	4-1/2"	5-1/4"	4-7/8"	4-1/8"	1/2"	10
C 68372	PDBK-120-I	2"	PD-120	3-1/4" 4"	5-5/8"	6-3/8"	4-7/8"	5-1/8"	1/2"	5

PDF 45° ELL



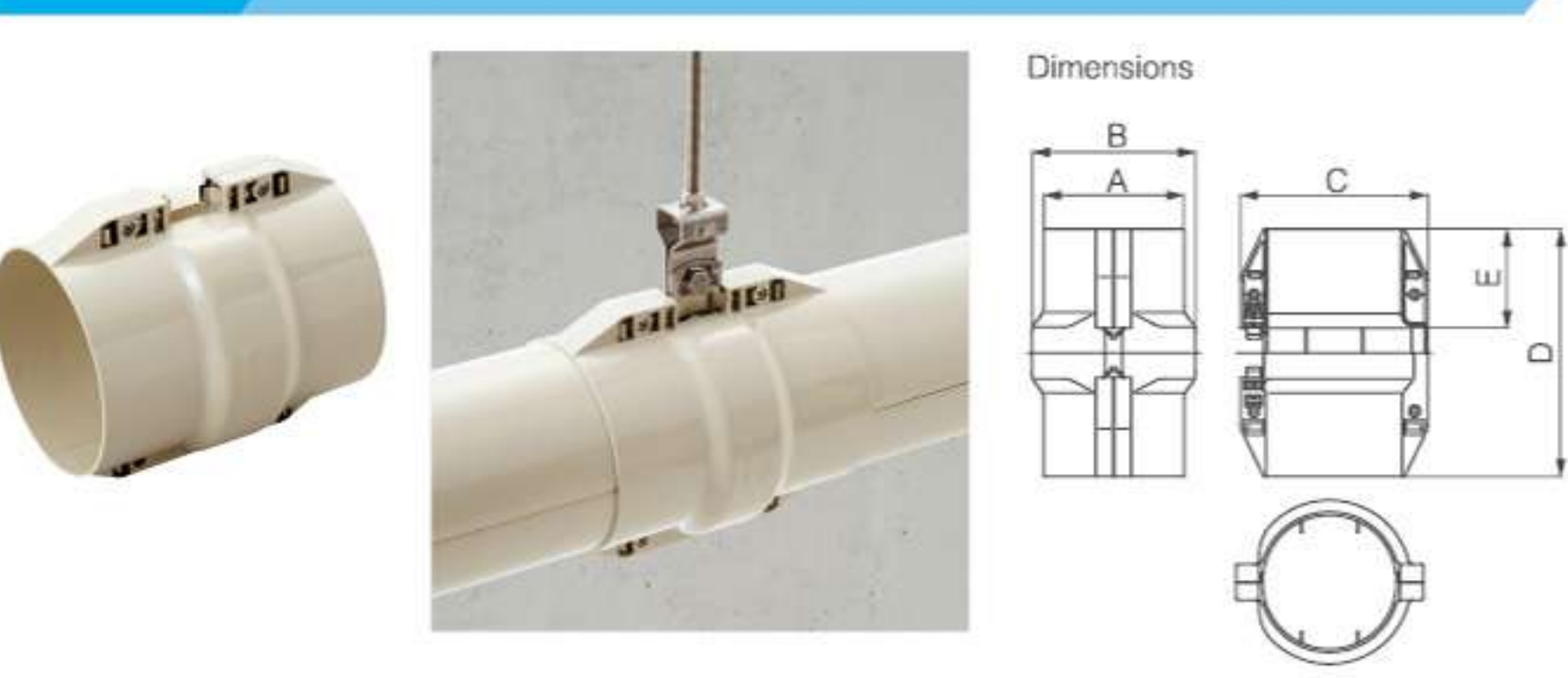
Code No.	Item No.	A	B	C	D	E	Pcs/Pkg
C 68492	PDF-90-I	4-1/8"	4"	3-1/4"	1-1/2"	1-3/8"	10
C 68502	PDF-120-I	5-1/4"	5-1/8"	3-3/4"	1-1/2"	1-3/8"	5
C 68702	PDF-140-I	6-1/8"	6"	4-3/8"	1-7/8"	1-5/8"	5

PDT TEE



Code No.	Item No.	A	B	C	D	E	F	Pcs/Pkg
C 68402	PDT-90-I	4-1/8"	4"	5-5/8"	4-1/8"	7-1/8"	1-3/8"	10
C 68412	PDT-120-I	5-1/4"	5-1/8"	6-7/8"	4-1/8"	8-1/2"	1-3/8"	5
C 68662	PDT-140-I	6-1/8"	6"	8"	5-1/4"	10"	1-5/8"	5

PDB-N MOUNTING COUPLER



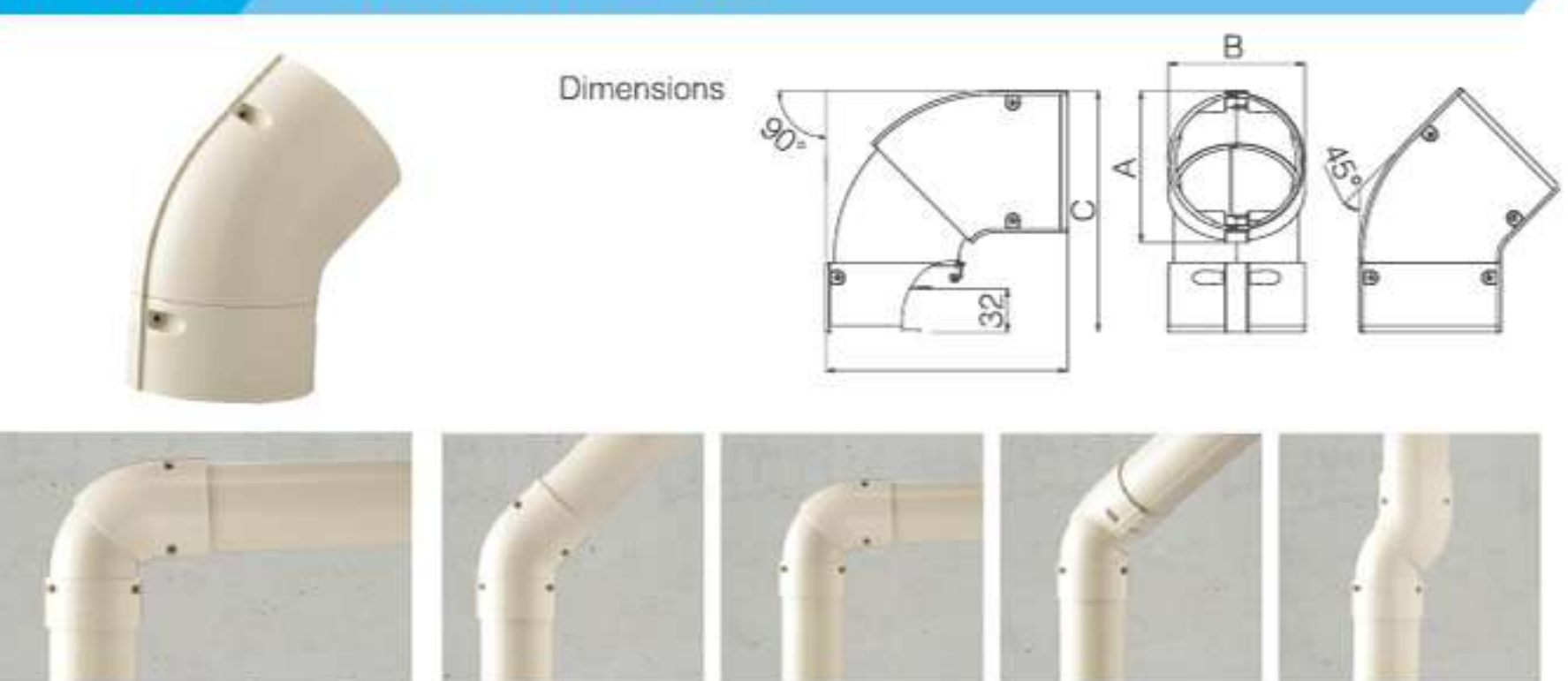
Code No.	Item No.	A	B	C	D	E	Pcs/Pkg
C 68572	PDB-90N-I	4-1/2"	5"	5"	5-1/8"	2"	10
C 68582	PDB-120N-I	5-5/8"	6-1/8"	6-1/8"	5-1/8"	2"	5
C 68692	PDB-140N-I	6-5/8"	7-1/4"	7-1/4"	5-3/8"	2-1/8"	5

PDE 90° ELL



Code No.	Item No.	A	B	C	D	Pcs/Pkg
C 68362	PDE-90-I	4-1/8"	4"	5-5/8"	1-3/8"	10
C 68372	PDE-120-I	5-1/4"	5-1/8"	6-7/8"	1-3/8"	5
C 68642	PDE-140-I	6-1/8"	6"	8"	1-5/8"	5

PKS UNIVERSAL ELL



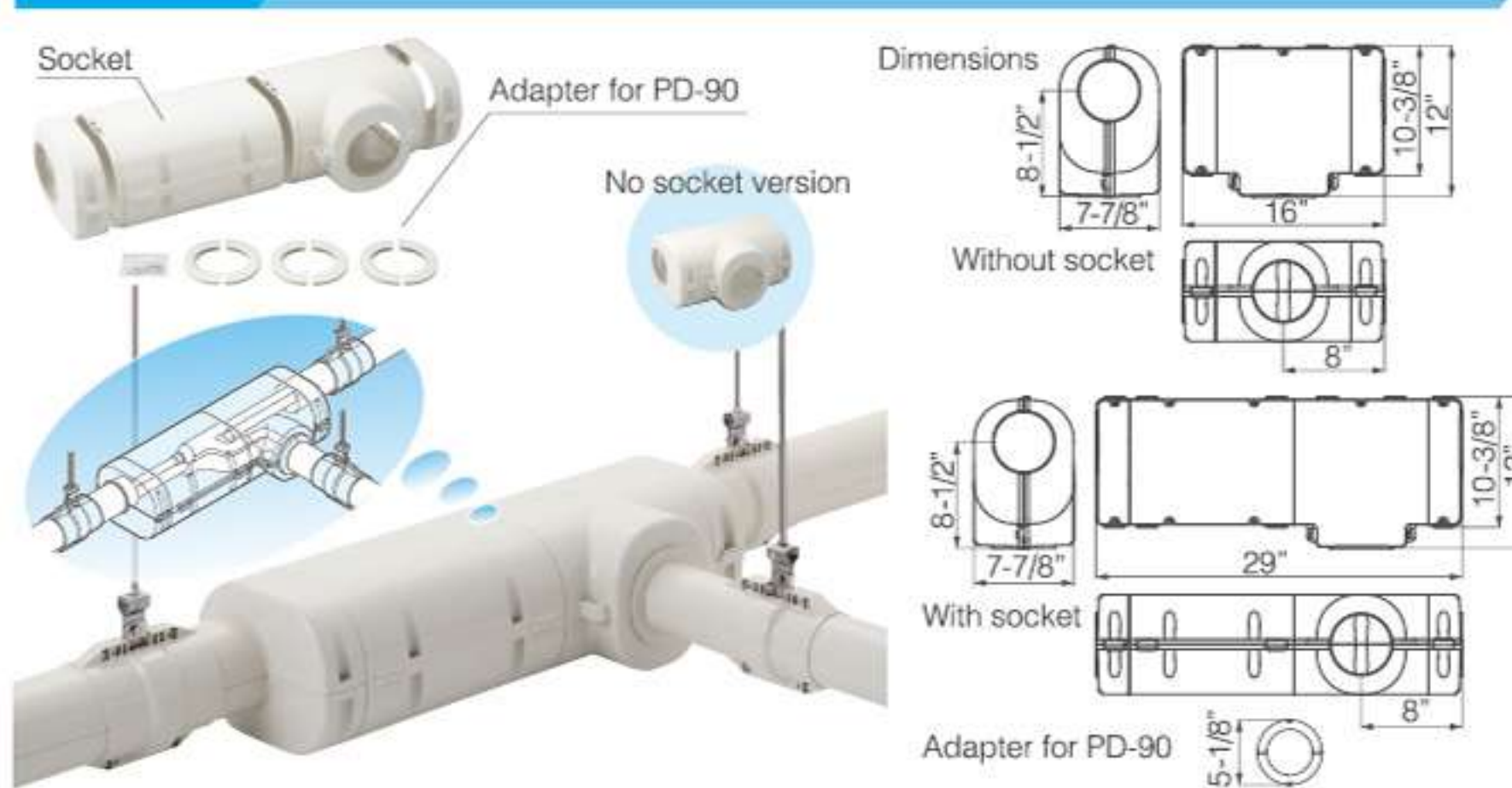
Code No.	Item No.	A	B	C	Pcs/Pkg
C 68282	PKS-90-I	4-1/8"	4"	7"	10
C 68292	PKS-120-I	5-1/4"	5-1/8"	8-1/4"	5

PDJ STANDARD COUPLER



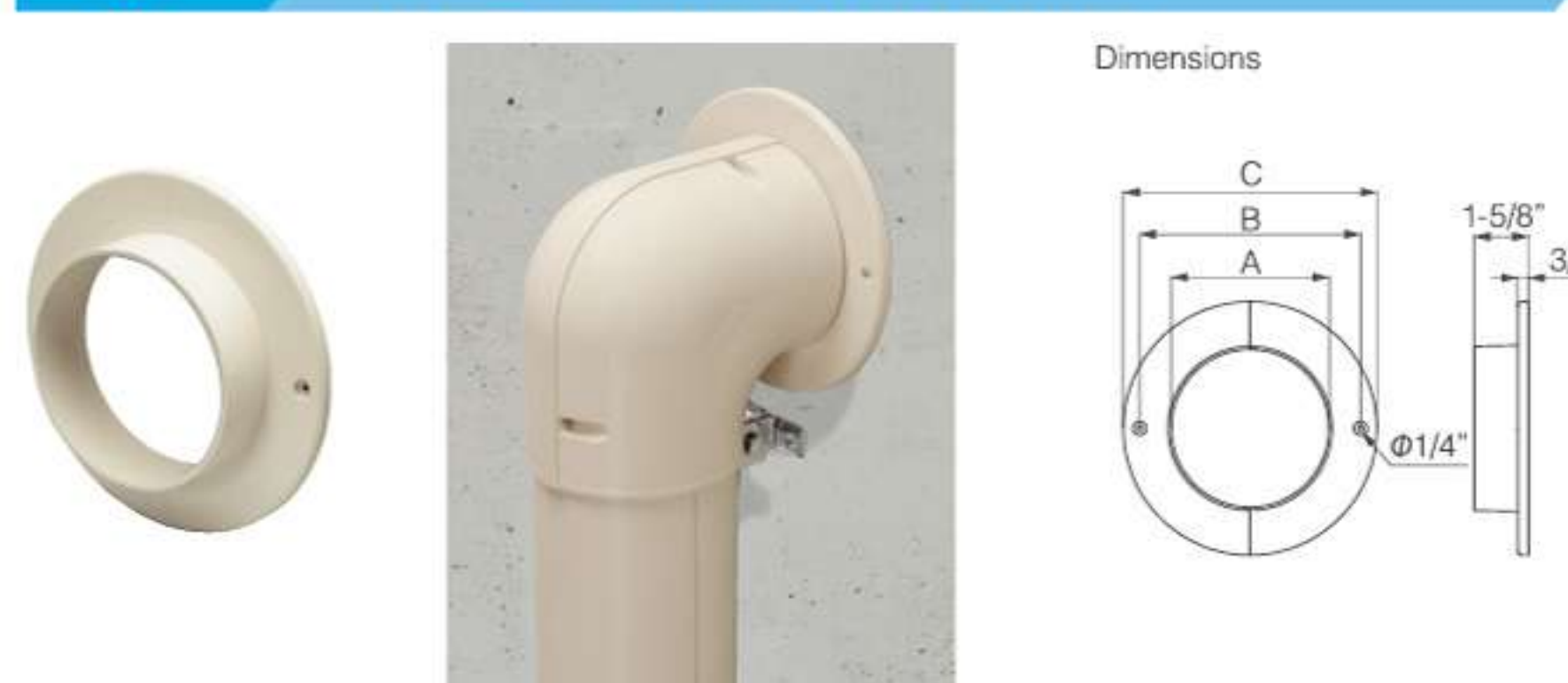
Code No.	Item No.	A	B	C	D	Pcs/Pkg
C 68382	PDJ-90-I	4-1/8"	4"	3-1/4"	1-3/8"	20
C 68392	PDJ-120-I	5-1/4"	5-1/8"	3-1/4"	1-3/8"	10
C 68652	PDJ-140-I	6-1/8"	6"	3-7/8"	1-5/8"	10

PDJT T-BRANCH



Code No.	Item No.	Pcs/Pkg
C 68552	PDJT-I	1

PSP WALL FLANGE FOR FITTINGS



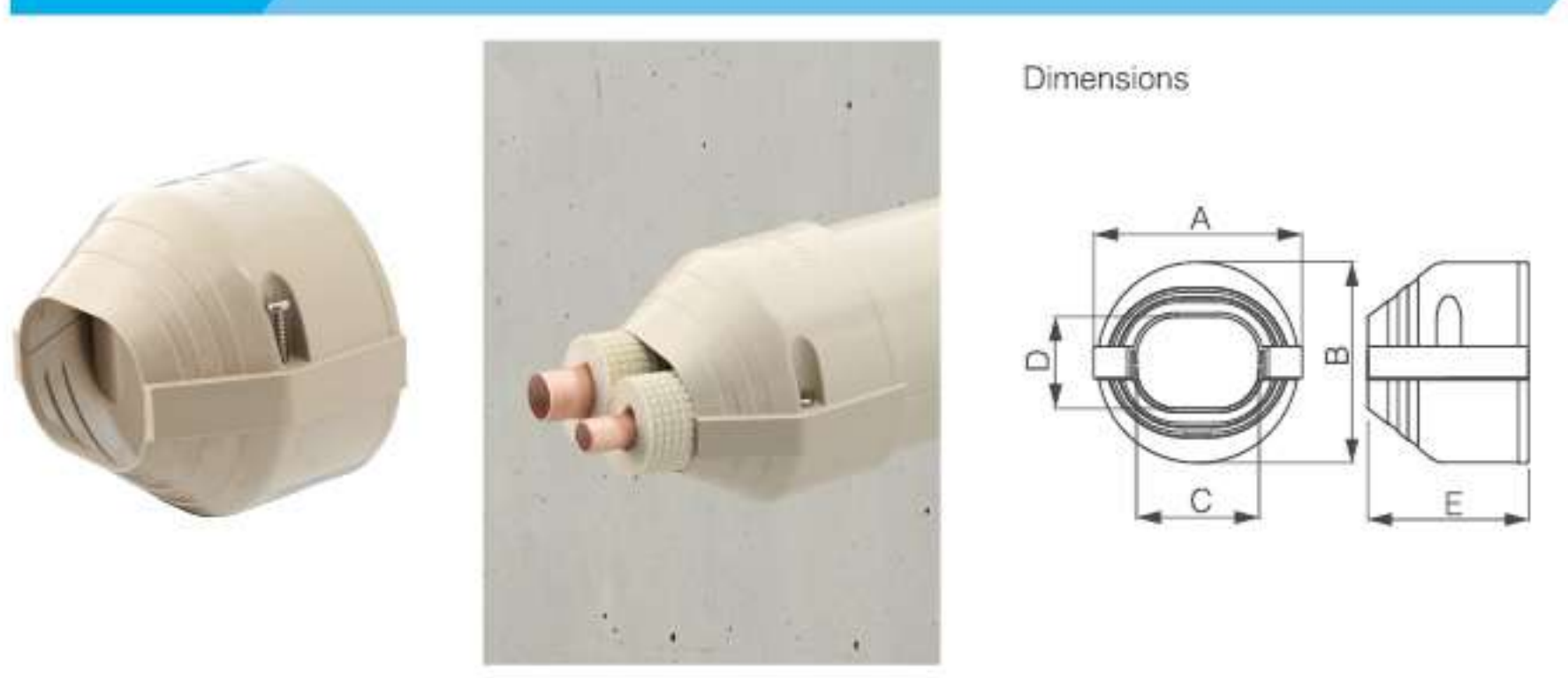
Code No.	Item No.	A	B	C	Pcs/Pkg
C 68592	PSP-90-I	3-1/2"	5-3/8"	6-1/4"	30
C 68602	PSP-120-I	4-5/8"	6-1/2"	7-3/8"	20

PSDR PD-SD COUPLER



Code No.	Item No.	A	B	C	Pcs/Pkg
C 68792	PSDR-90-100-I	4-3/8"	4"	3-5/8"	10
C 68802	PSDR-120-140-I	5-7/8"	5-1/8"	3-3/4"	10

PDC END FITTING



Code No.	Item No.	A	B	C	D	E	Pcs/Pkg
C 68422	PDC-90-I	4-1/8"	4"	2-1/2"	1-7/8"	3-1/4"	20
C 68432	PDC-120-I	5-1/4"	5-1/8"	3-1/2"	2-1/4"	3-1/4"	10
C 68672	PDC-140-I	6-1/8"	6"	3-3/4"	2-3/8"	3-7/8"	10

PWP-N WALL FLANGE



Code No.	Item No.	A	B	C	D	Pcs/Pkg
C 68522	PWP-90-I	4"	5-3/8"	6-1/4"	12-1/4"	30
C 68532	PWP-120-I	5"	6-1/2"	7-3/8"	15-3/4"	20
C 68682	PWP-140-I	5-7/8"	7-1/4"	8-1/4"	18-5/8"	20

PDP CUTOFF WALL FLANGE



Code No.	Item No.	A	B	C	Pcs/Pkg
C 68882	PDP-90-I	6-1/4"	6-1/4"	5-1/8"	30
C 68892	PDP-120-I	7-3/8"	7-3/8"	6-1/4"	20

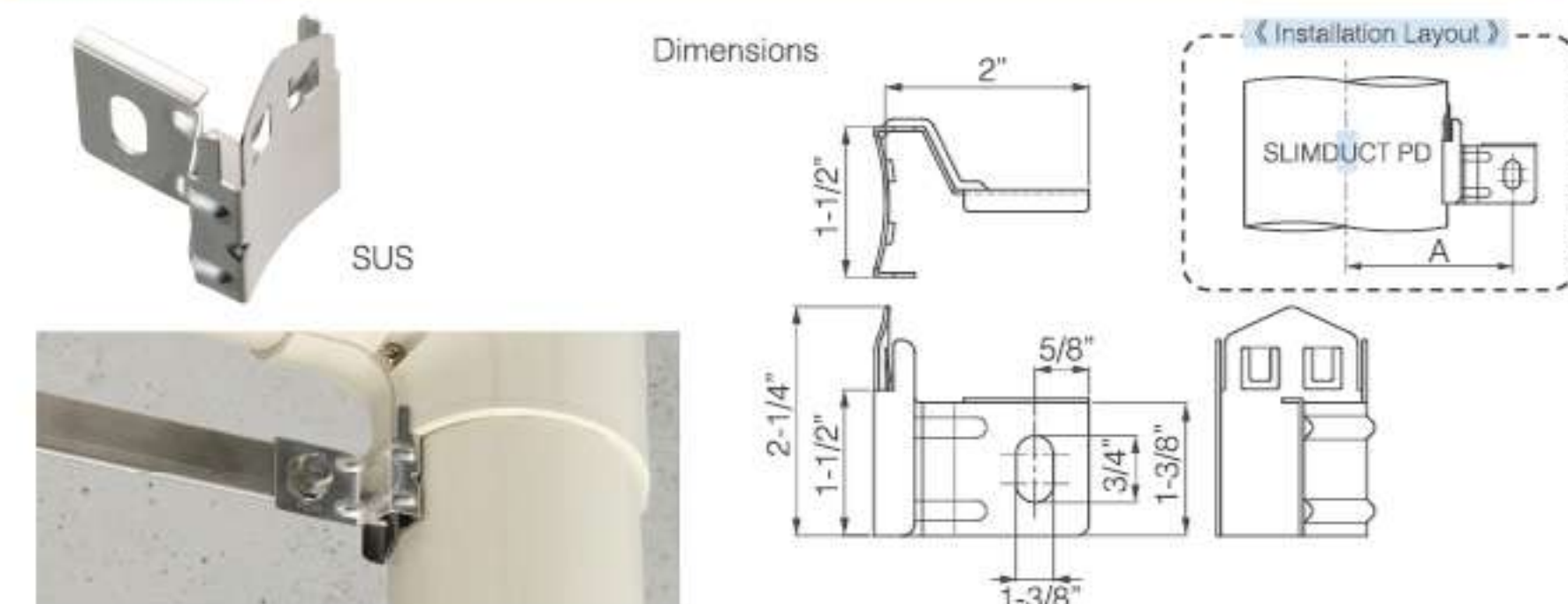
ZC3-W MAKEUP CAP FOR THREADED ROD



- Specifications**
 - Material ... PP
 - Color ... White
- Features**
 - Cut-line on backside enables to install alongside the wall.
- Caution**
 - Use only with 3/8" thread rod.

Code No.	Item No.	Pcs/Pkg
C 03715	ZC3-W	200

PDH FITTING MOUNT CLIP FOR BACK OF CONNECTION ACCESSORIES



Available to install on the back of connection accessories.

Code No.	Item No.	A	Pcs/Pkg
C 68512	PDH	PD-090	3-1/4"
		PD-120	3-7/8"
		PD-140	4-1/4"

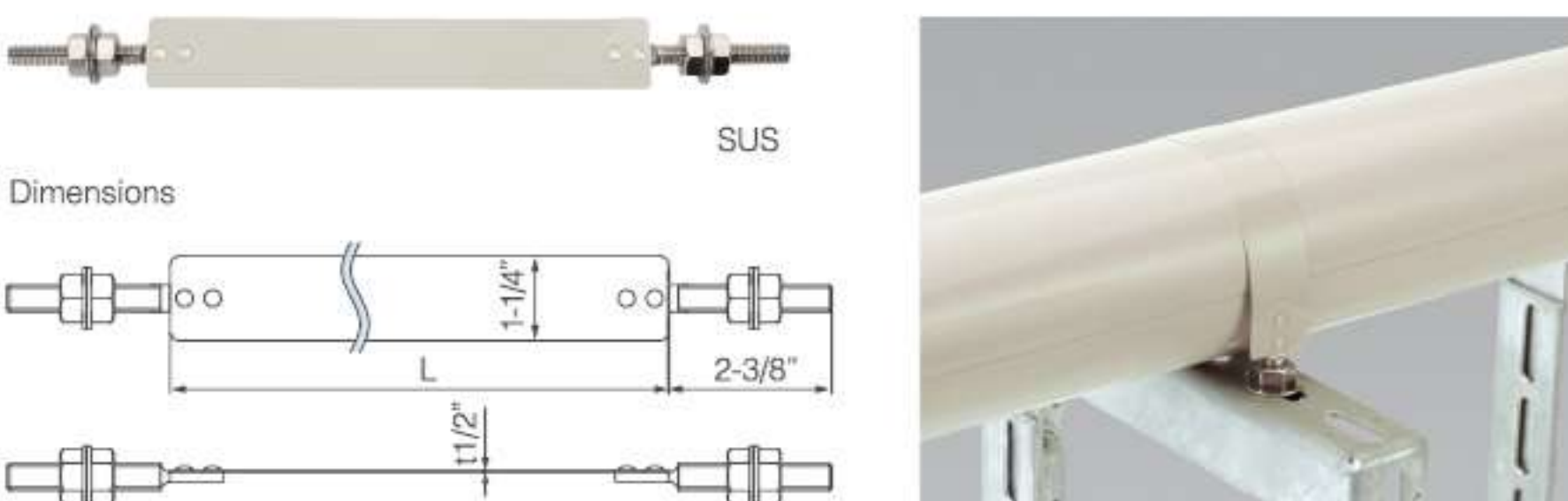
PDK REINFORCEMENT ACCESSORY FOR NOTCH



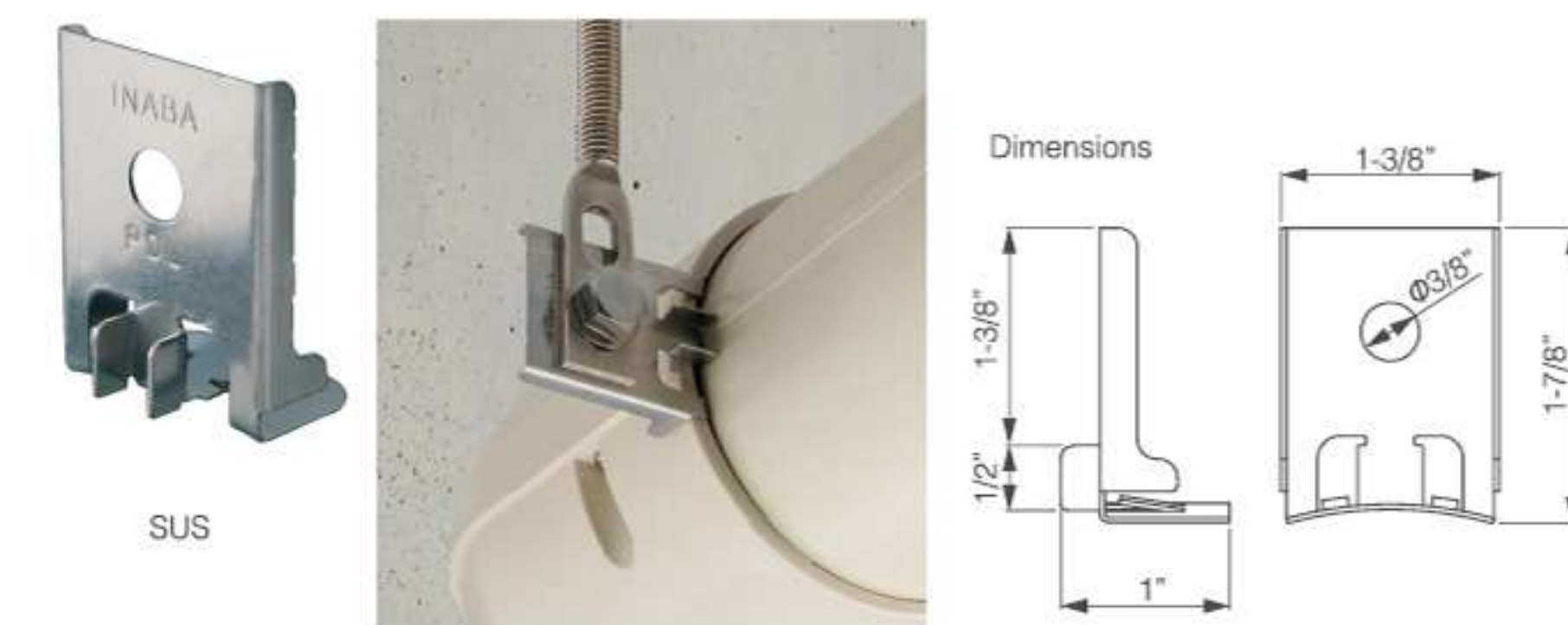
- Specifications**
 - Material : PVC
 - Color : Ivory
 - Features**
 - Can be used without PDB-N
- *Also can be used for PVC piping band, however, the outer diameter must be smaller than the steel piping.
*Cannot be used for PDY.

Code No.	Item No.	Applicable duct	Applicable piping band (For steel pipe*)	Pcs/Pkg
C 68562	PDK-1	PD-90	2" or less	100
		PD-120	3-1/4" or less	
		PD-140	4" or less	

PDU PD DUCT FIXING SADDLE



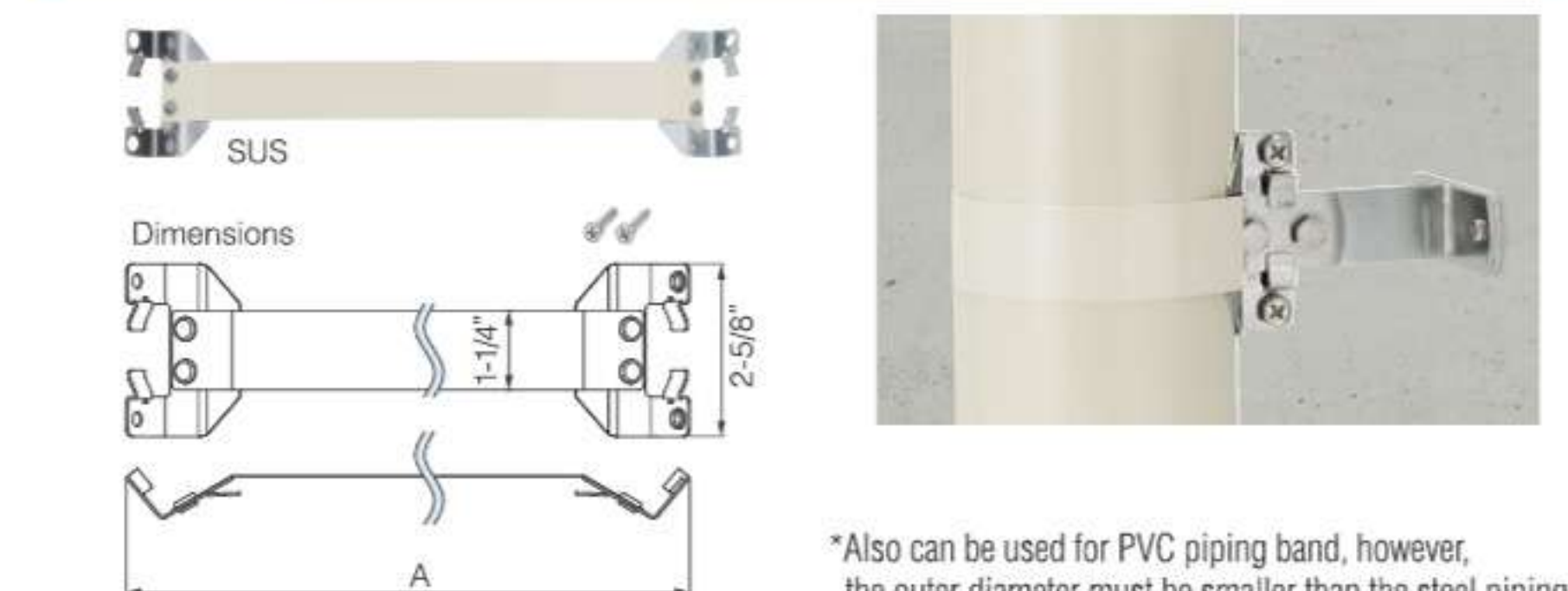
PDL FITTING MOUNT CLIP



Available to install on the back of connection accessories.

Code No.	Item No.	Pcs/Pkg
C 68480	PDL	200

PDY SUPPORTER BAND



Code No.	Item No.	Applicable duct	Applicable piping band (For steel pipe*)	A	Pcs/Pkg
C 68612	PDY-90-I	PD-90	2" or less	12-3/8"	30
C 68622	PDY-120-I	PD-120	3-1/4" or less	15-3/4"	30
C 68722	PDY-140-I	PD-140	4" or less	18-5/8"	30

PDI REDUCER



Application Connection between PD-90 Duct and PD Parts of 120 size and between PD-120 Duct and PD fittings of 140 size.

Code No.	Item No.	A	B	C	Pcs/Pkg
C 68732	PDI-120-90-I	4-1/8"	5-1/4"	5-1/8"	20
C 68742	PDI-140-120-I	5-1/4"	6-1/8"	6"	20

Code No.	Item No.	Duct Size	L	Pcs/Pkg
C 68762	PDU-90-I	PD-90	8-3/8"	30
C 68772	PDU-120-I	PD-120	11-1/4"	30
C 68782	PDU-140-I	PD-140	13-3/8"	30

*In case of vertical piping, fix each parts using such as Fitting Mount Clip PDH, etc.

LINESET COVER - Commercial

TECHNICAL SPECS

Material:
High Grade Corrosion Resistant Hot Dip Galvanized Steel Sheet. (=ZAM) (JIS G 3323) (Coating layer of Zinc, 6% Aluminum, and 3% Magnesium)

Salt Tolerance:
Salt Resistant Specification.



SLIMDUCT RD

Coating Volume:
190g/m² (=0.62 oz./ft²) per side.

Tensile Strength:
More than 274.6N/mm² (28kgf/mm²) (39.885psi)

Stretch:
More than 28%.

Allowable load of base (duct base + strut):

Allowable load (allowable pipe weight) of base part for 37-7/8"- and 78-3/4"- RD ducts

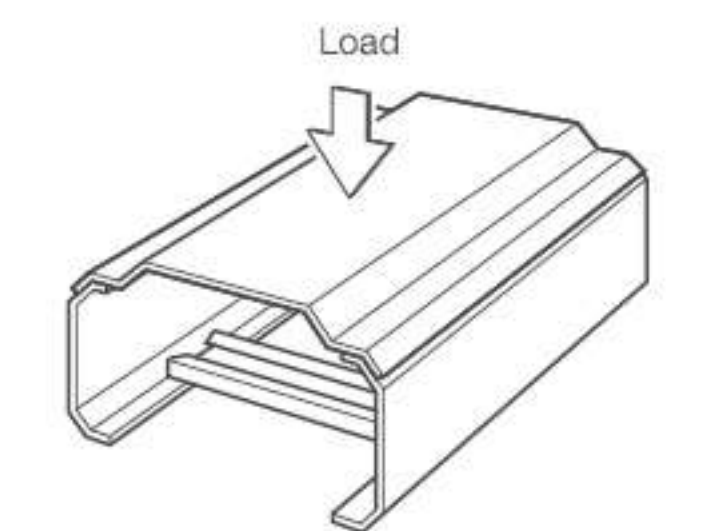
Item	Allowable load for 2-m RD duct	
	78-3/4" RD duct (pipe support by 3 strut)	78-3/4" RD duct × 2 (pipe support by 4 strut)
RD-150	9387N (958kgf) (2,110lbs)	12548N (1280kgf) (2,110lbs)
RD-300	3929N (401kgf) (883lbs)	05281N (539kgf) (1,187lbs)
RD-450	2546N (260kgf) (572lbs)	03448N (352kgf) (775lbs)
RD-600	1837N (187kgf) (413lbs)	02513N (256kgf) (565lbs)
RD-900	1102N (112kgf) (247lbs)	01552N (158kgf) (349lbs)
RD-450H	2494N (255kgf) (560lbs)	03396N (347kgf) (763lbs)
RD-600H	1785N (182kgf) (401lbs)	02461N (251kgf) (553lbs)
RD-900H	2231N (228kgf) (501lbs)	03076N (314kgf) (691lbs)

*It is substantially the allowable load of the strut (in the assembled state).

Strength of cover (allowable load):

This is the strength of cover (allowable load for cover being restored to the original state) when the cover is attached to the base (duct base + strut). Note that values for the W600 to H900 sizes and the walkway type are those in the state where the cover reinforcing plate is attached.

Specifications	Strength of cover	
	for 1ft ²	When load is applied by the load plate (7-7/8" × 4")
Standard type	4,903N/m ² (500kgf/m ²) (102.4lbs/ft ²) or less	98N (10kgf) (22.1 lbs/ft ²) or less
Walkway type	49,030N/m ² (5,000kgf/m ²) (1,024.0 lbs/ft ²) or less	980N (100kgf) (221.0 lbs/ft ²) or less



LINESET COVER - Commercial

► Lineset Capacity:

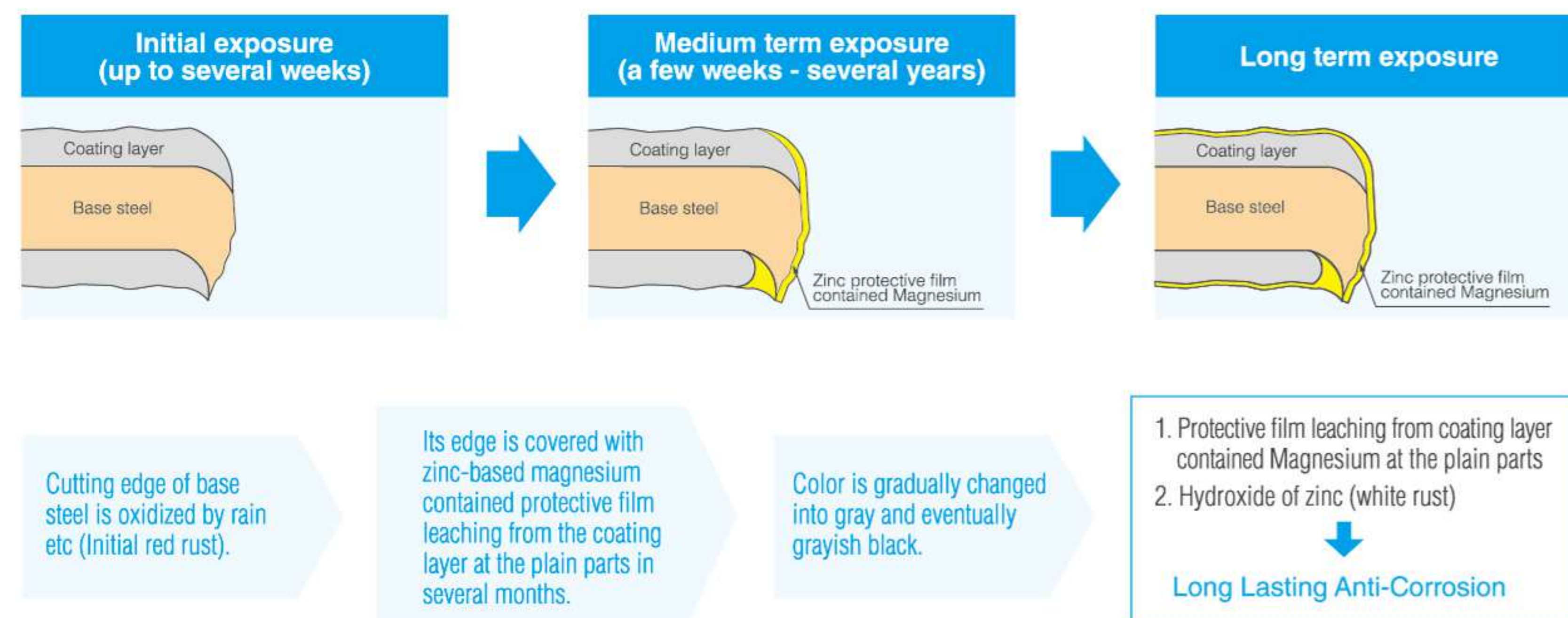
Item#	Insulation thickness	Lineset size (Liquid line x Suction line)											
		1/4"×3/8"	1/4"×1/2"	1/4"×5/8"	3/8"×5/8"	3/8"×3/4"	1/2"×1-1/8"	5/8"×1-1/8"	5/8"×1-1/4"	3/4"×1-1/4"	3/4"×1-1/2"	7/8"×1-1/2"	7/8"×1-5/8"
RD-150	1/2" × 1/2"	3	2	2	2	2	1	1	1	1	1	1	1
	3/4" × 3/4"	1	1	1	1	1	1	1	1	0	0	0	0
RD-300	1/2" × 1/2"	6	6	5	5	4	2	2	2	2	2	2	2
	3/4" × 3/4"	2	2	2	2	2	2	2	2	2	2	1	1
RD-300H	1/2" × 1/2"	15	13	12	12	10	8	8	6	6	6	6	4
	3/4" × 3/4"	8	7	7	7	6	4	4	4	4	4	3	3
RD-400	1/2" × 1/2"	10	8	7	7	6	4	4	4	3	3	3	3
	3/4" × 3/4"	4	4	4	4	3	3	3	3	3	3	2	2
RD-450H	1/2" × 1/2"	23	20	18	18	15	12	11	10	10	8	8	6
	3/4" × 3/4"	13	11	10	10	9	6	6	6	6	5	5	5
RD-600	1/2" × 1/2"	13	12	10	10	9	5	5	5	5	4	4	4
	3/4" × 3/4"	5	5	5	5	5	4	4	4	4	4	3	3
RD-600H	1/2" × 1/2"	31	26	24	24	19	14	14	13	13	13	11	8
	3/4" × 3/4"	17	14	14	14	12	8	8	8	8	8	7	7
RD-900	1/2" × 1/2"	20	17	16	16	13	8	8	8	7	7	7	6
	3/4" × 3/4"	8	8	8	8	7	6	6	6	6	5	5	5
RD-900H	1/2" × 1/2"	46	40	37	36	30	24	21	20	20	14	14	13
	3/4" × 3/4"	26	22	22	21	18	13	13	13	12	11	11	11

*Nominal lineset capacities for SLIMDUCT RD can differ according to the configurations of lineset installed. Capacities shown are based on Net Usable Section Area of each duct size and are for reference purpose only.

► Mechanism of Corrosion Resistance:

SLIMDUCT RD-ZA series is fabricated from the new "ZAM"[®]*1,2 material, a highly corrosion resistant hot dip galvanized steel which is equal to or exceeds the corrosion resistance properties of standard hot dip galvanized steel (HDZ55) or GALVALUM(AZ150). This offers superior resistance over stainless steel (SUS 304) even in highly corrosive atmospheres such as sea air. Although the edges may show early traces of red rust as they are exposed to the elements, over a period of several months these will become coated with a zinc based film which leaches from the base layer and will change to a grayish black, providing a high level of corrosion protection for the edges.

*1. "ZAM"[®] is a registered trademark of NIPPON STEEL CORPORATION in Japan, the United States, and other countries and regions.
*2. "ZAM"[®] is a highly corrosion-resistant hot-dip coated steel sheet that has a coating layer of zinc, 6% aluminum, and 3% magnesium.



SPECIAL FEATURES

■ Architectural Linesets Cover:

The professional and aesthetic finish of SLIMDUCT RD blends perfectly in with any type of commercial buildings, which exterior will be enhanced by the sleek appearance of finished installation.

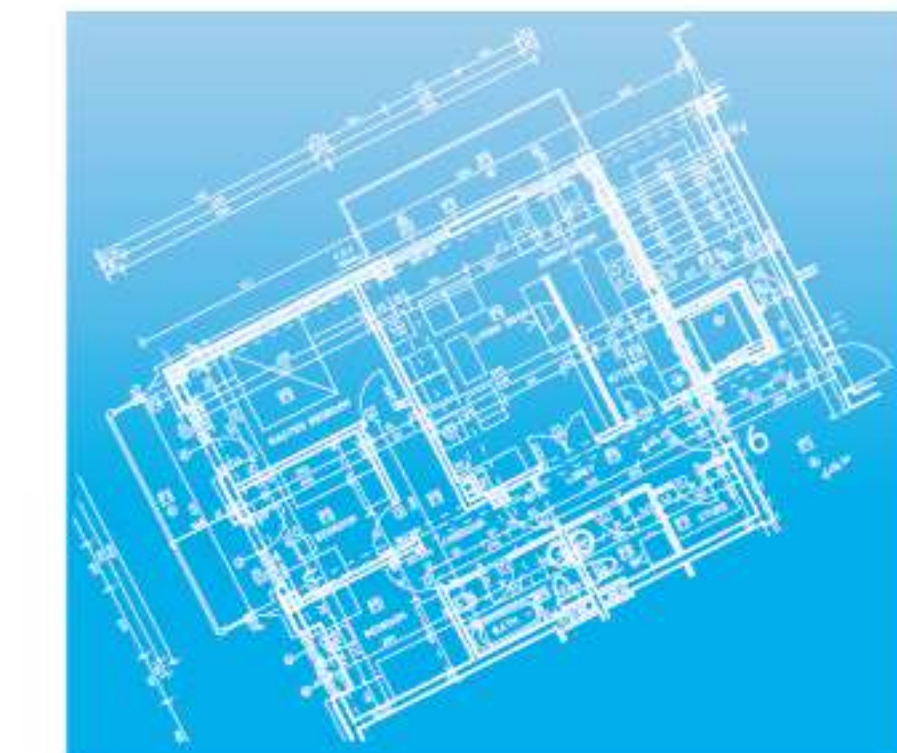


■ Ideal Linesets Protector:

Protects linesets and related pipes/cables for a long time, which enables to preserve energy efficiency of air conditioners.

■ Compact Design:

Because of its compact design, SLIMDUCT RD requires less space than a traditional racking/jacketing system.



■ Multiple Application:

Use of many fittings available such as risers, vertical mountings, and under-slab mountings enables SLIMDUCT RD to be easily customized on-site during the installation process and to be installed in any orientation. *Excludes some sizes.

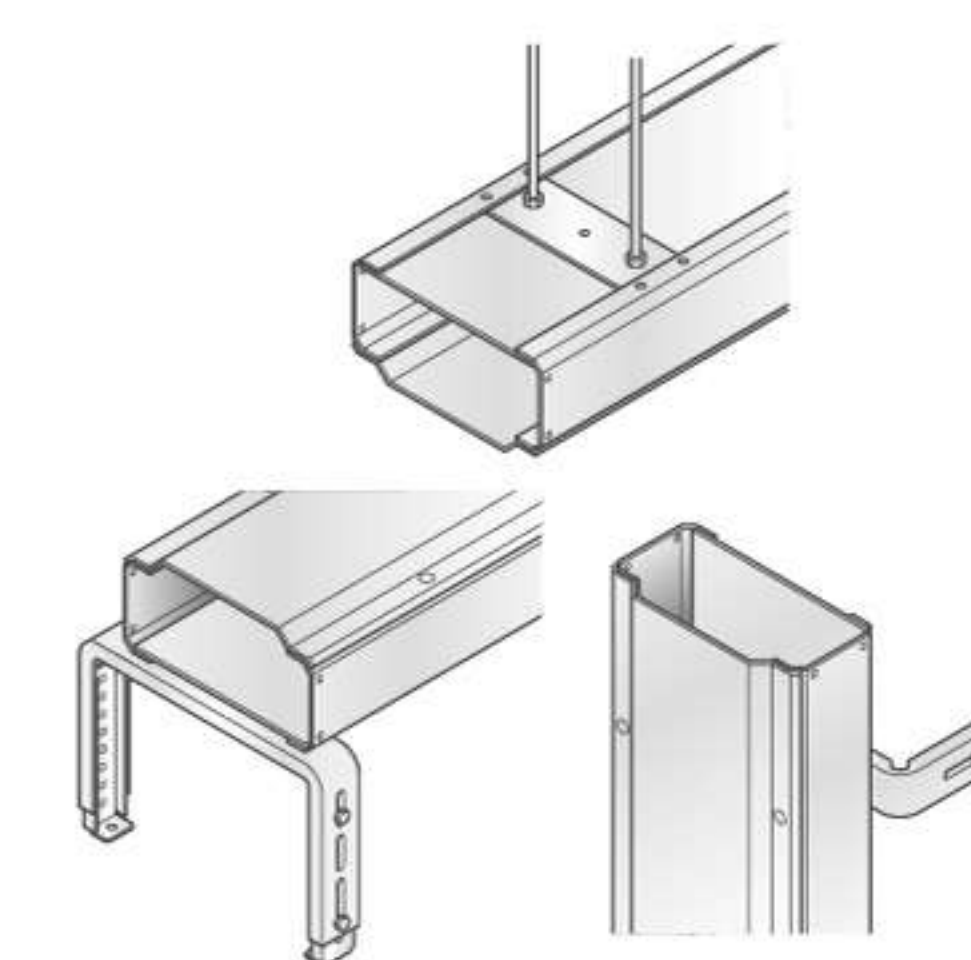
■ Load Capacity:

SLIMDUCT RD, WALKWAY TYPE (RDW) has an embossed anti-slip surface. This permits maintenance personnel to walk on ducts without damaging them or linesets during routine maintenance of any mechanical equipment on the rooftop.



■ Easy Installation:

No special tools are required to assemble and connect SLIMDUCT RD, and it is assembled by only two kinds of screws.



■ Durability and Weather Resistance:

SLIMDUCT RD is fabricated from "ZAM" which offers superior resistance over stainless steel even in highly corrosive atmospheres such as sea air.

■ Scratch/Abrasion Resistance:

The Coating layer contains a higher proportion of Magnesium and is more rigid than that of a standard galvanized or Galvalum sheet. It offers superior scratch/abrasion resistance as well as advanced corrosion resistance to ensure that any scratch or cut edges will be covered by a zinc protective film in a few months.



Job References

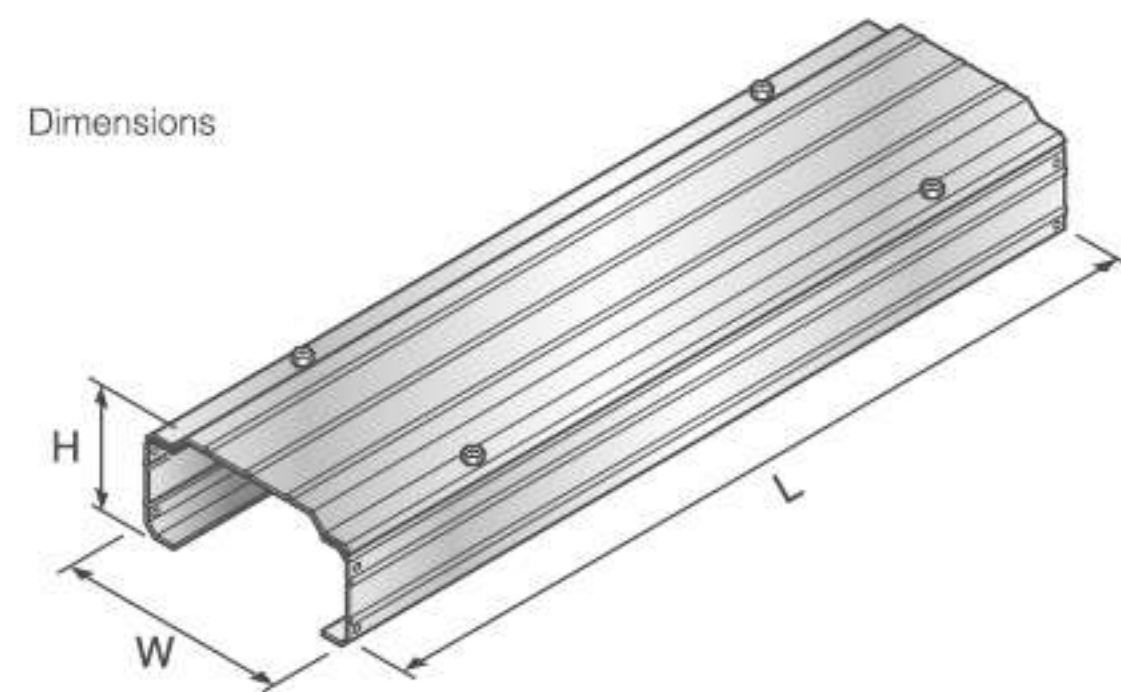


RD STRAIGHT DUCT



* Baseplate shown is an optional accessory for all sizes except RD-150-05, which includes the baseplate.

Dimensions



- * RD150 size: not possible to use without coupler.
- * Use RFJ (free coupler) for RD connection if you cut RD duct.
- * For vertical application, do not use without coupler to connect for safety sake.
- * For vertical applications, do not use brackets when mounting sizes 600 (H) and 900 (H) to wall. In vertical applications when mounted direct to the wall, size 900 (H) cannot be used with elbows. If duct needs to be raised from wall surface, use a baseplate RDB, REB, RFB, RTS, or RJB.
- * Size 600 (H), 900 (H) are supplied with reinforced plate for cover. Size 450 (H) is not supplied with it, it is an optional accessory for size 450 (H).
- * Size 600 (H), 900 (H) are supplied with reinforced plate for joint.
- * For further information, refer to SLIMDUCT RD Installation Manual.

Code No.	Item No.	Length (L)	Width (W)	Height (H)	Pcs/Pkg
C 77017	RD-150-A-ZA	78-3/4"	6"	4-3/8"	1
C 77027	RD-150-1-A-ZA	39-3/8"			1
C 77037	RD-150-05-A-ZA	19-3/4"			1
C 85002	RD-300-D-ZA	78-3/4"	11-7/8"	5-1/4"	1
C 85092	RD-300-1-D-ZA	39-3/8"			1
C 85182	RD-300-5-D-ZA	19-3/4"			1
C 85272	RD-300-3-D-ZA	11-7/8"	11-7/8"	10"	1
C 85042	RD-300H-D-ZA	78-3/4"			1
C 85132	RD-300H-1-D-ZA	39-3/8"			1
C 85222	RD-300H-5-D-ZA	19-3/4"	11-7/8"	5-1/4"	1
C 85312	RD-300H-3-D-ZA	78-3/4"			1
C 85012	RD-450-D-ZA	39-3/8"			17-3/4"
C 85102	RD-450-1-D-ZA	19-3/4"	1		
C 85192	RD-450-5-D-ZA	11-7/8"	1		
C 85282	RD-450-3-D-ZA	78-3/4"	17-3/4"	10"	1
C 85052	RD-450H-D-ZA	39-3/8"			1
C 85142	RD-450H-1-D-ZA	19-3/4"			1
C 85232	RD-450H-5-D-ZA	78-3/4"	17-3/4"	5-3/8"	1
C 85322	RD-450H-3-D-ZA	39-3/8"			1
C 85022	RD-600-D-ZA	19-3/4"			23-5/8"
C 85112	RD-600-1-D-ZA	11-7/8"	1		
C 85202	RD-600-5-D-ZA	78-3/4"	1		
C 85292	RD-600-3-D-ZA	39-3/8"	35-1/2"	5-3/8"	1
C 85062	RD-600H-D-ZA	19-3/4"			1
C 85152	RD-600H-1-D-ZA	78-3/4"			1
C 85242	RD-600H-5-D-ZA	39-3/8"	35-1/2"	10"	1
C 85332	RD-600H-3-D-ZA	19-3/4"			1
C 85032	RD-900-D-ZA	11-7/8"			35-1/2"
C 85122	RD-900-1-D-ZA	78-3/4"	1		
C 85212	RD-900-5-D-ZA	39-3/8"	1		
C 85302	RD-900-3-D-ZA	19-3/4"	35-1/2"	10"	1
C 85072	RD-900H-D-ZA	78-3/4"			1
C 85162	RD-900H-1-D-ZA	39-3/8"			1
C 85252	RD-900H-5-D-ZA	19-3/4"	11-7/8"	10"	1
C 85342	RD-900H-3-D-ZA	11-7/8"			1

Job References

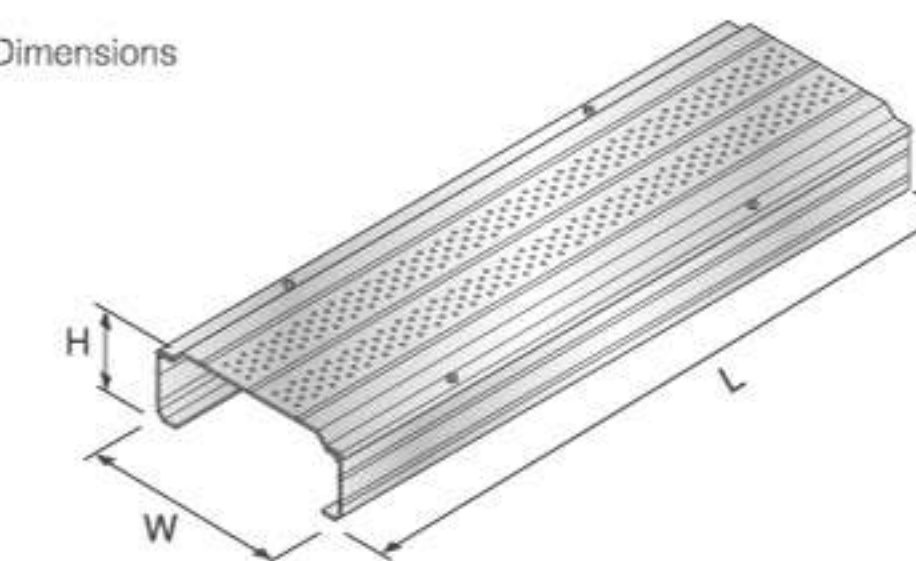


RDW STRAIGHT DUCT - WALKWAY



* Baseplate shown in the picture is an optional accessory.

Dimensions



- * Use RFJ (free coupler) for RD connection if you cut RD duct.
- * Do not use for vertical applications.
- * Size 450 (H), 600 (H), 900 (H) are supplied with reinforced plate for cover.
- * Size 600 (H), 900 (H) are supplied with reinforced plate for joint.
- * All sizes are supplied with reinforced wide plate for walkway.

Code No.	Item No.	Length (L)	Width (W)	Height (H)	Pcs/Pkg
C 88002	RDW-300-D-ZA	78-3/4"	11-7/8"	5-3/8"	1
C 88092	RDW-300-1-D-ZA	39-3/8"			1
C 88182	RDW-300-5-D-ZA	19-3/4"			1
C 88272	RDW-300-3-D-ZA	11-7/8"	11-7/8"	10"	1
C 88042	RDW-300H-D-ZA	78-3/4"			1
C 88132	RDW-300H-1-D-ZA	39-3/8"			1
C 88222	RDW-300H-5-D-ZA	19-3/4"	17-3/4"	5-3/8"	1
C 88312	RDW-300H-3-D-ZA	11-7/8"			1
C 88012	RDW-450-D-ZA	78-3/4"			17-3/4"
C 88102	RDW-450-1-D-ZA	39-3/8"	1		
C 88192	RDW-450-5-D-ZA	19-3/4"	1		
C 88282	RDW-450-3-D-ZA	11-7/8"	17-3/4"	10"	1
C 88052	RDW-450H-D-ZA	78-3/4"			1
C 88142	RDW-450H-1-D-ZA	39-3/8"			1
C 88232	RDW-450H-5-D-ZA	19-3/4"	23-5/8"	5-3/8"	1
C 88322	RDW-450H-3-D-ZA	11-7/8"			1
C 88022	RDW-600-D-ZA	78-3/4"			23-5/8"
C 88112	RDW-600-1-D-ZA	39-3/8"	1		
C 88202	RDW-600-5-D-ZA	19-3/4"	1		
C 88292	RDW-600-3-D-ZA	11-7/8"	35-1/2"	5-3/8"	1
C 88062	RDW-600H-D-ZA	78-3/4"			1
C 88152	RDW-600H-1-D-ZA	39-3/8"			1
C 88242	RDW-600H-5-D-ZA	19-3/4"	35-1/2"	10"	1
C 88332	RDW-600H-3-D-ZA	11-7/8"			1
C 88032	RDW-900-D-ZA	78-3/4"			35-1/2"
C 88122	RDW-900-1-D-ZA	39-3/8"	1		
C 88212	RDW-900-5-D-ZA	19-3/4"	1		
C 88302	RDW-900-3-D-ZA	11-7/8"	35-1/2"	10"	1
C 88072	RDW-900H-D-ZA	78-3/4"			1
C 88162	RDW-900H-1-D-ZA	39-3/8"			1
C 88252	RDW-900H-5-D-ZA	19-3/4"	11-7/8"	10"	1
C 88342	RDW-900H-3-D-ZA	11-7/8"			1

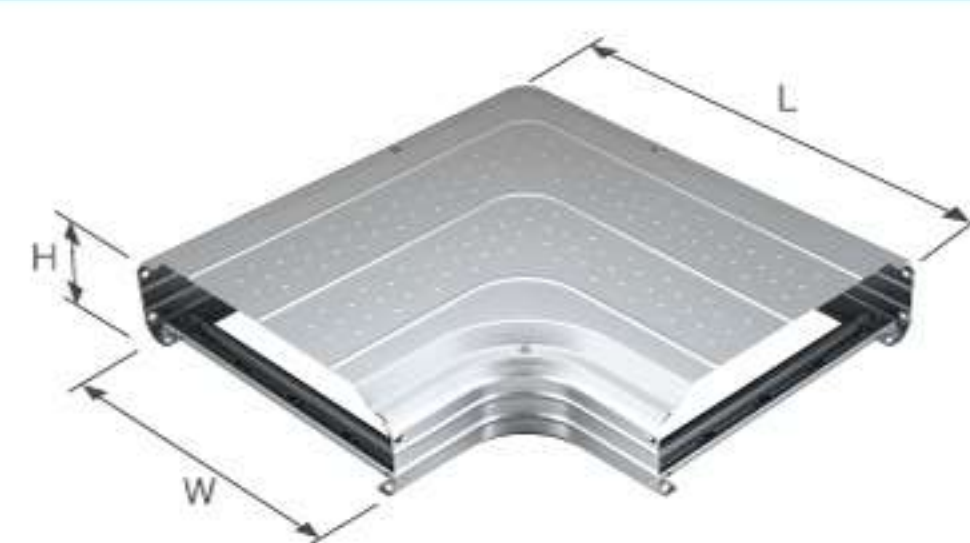
RE 90°FLAT ELL



Code No.	Item No.	Width (W)	Height (H)	L	Pcs/Pkg
C 77125	RE-150-ZA	6"	4-3/8"	9-7/8"	1
C 85362	RE-300-D-ZA	11-7/8"	5-1/4"	19-3/4"	1
C 85372	RE-450-D-ZA	17-3/8"	5-1/4"	25-5/8"	1
C 85382	RE-600-D-ZA	23-5/8"	5-3/8"	31-1/2"	1
C 85392	RE-300H-D-ZA	11-7/8"	10"	19-3/4"	1
C 85402	RE-450H-D-ZA	17-3/4"	10"	25-5/8"	1
C 85412	RE-600H-D-ZA	23-5/8"	10"	31-1/2"	1

*Size 600 (H) is supplied with reinforced plate for cover. (It is an optional accessory for size 450H.)
 *Size 600 (H) is supplied with reinforced plate for joint.
 *Use RX-900 (H) as flat ell for size 900 (H).

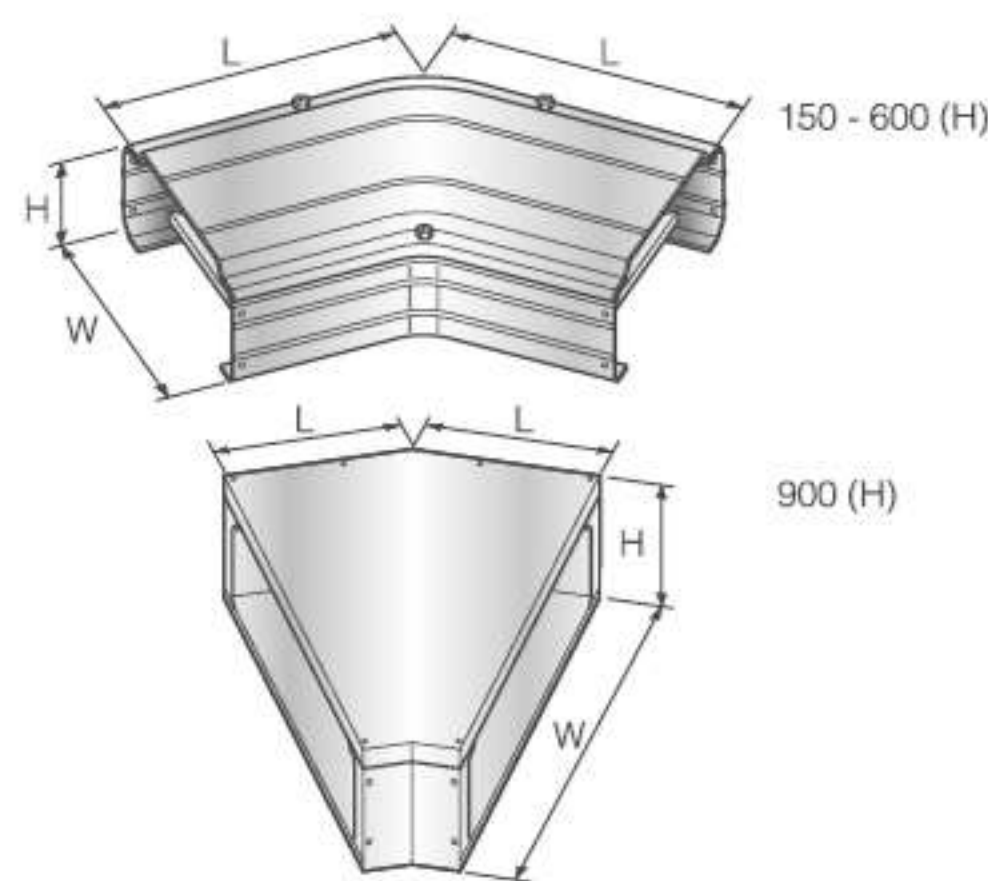
REW 90°FLAT ELL – WALKWAY



Code No.	Item No.	Width (W)	Height (H)	L	Pcs/Pkg
C 88362	REW-300-D-ZA <i>Special Order Only!</i>	11-7/8"	5-3/8"	19-3/4"	1
C 88372	REW-450-D-ZA <i>Special Order Only!</i>	17-3/4"	5-3/8"	25-5/8"	1
C 88382	REW-600-D-ZA <i>Special Order Only!</i>	23-5/8"	5-3/8"	31-1/2"	1
C 88392	REW-300H-D-ZA <i>Special Order Only!</i>	11-7/8"	10"	19-3/4"	1
C 88402	REW-450H-D-ZA <i>Special Order Only!</i>	17-3/4"	10"	25-5/8"	1
C 88412	REW-600H-D-ZA <i>Special Order Only!</i>	23-5/8"	10"	31-1/2"	1

*Size 600 (H) is supplied with reinforced plate for joint.
 *All sizes are supplied with reinforced wide plate for walkway.
 *Use RXW-900 (H) as flat ell for size 900 (H).

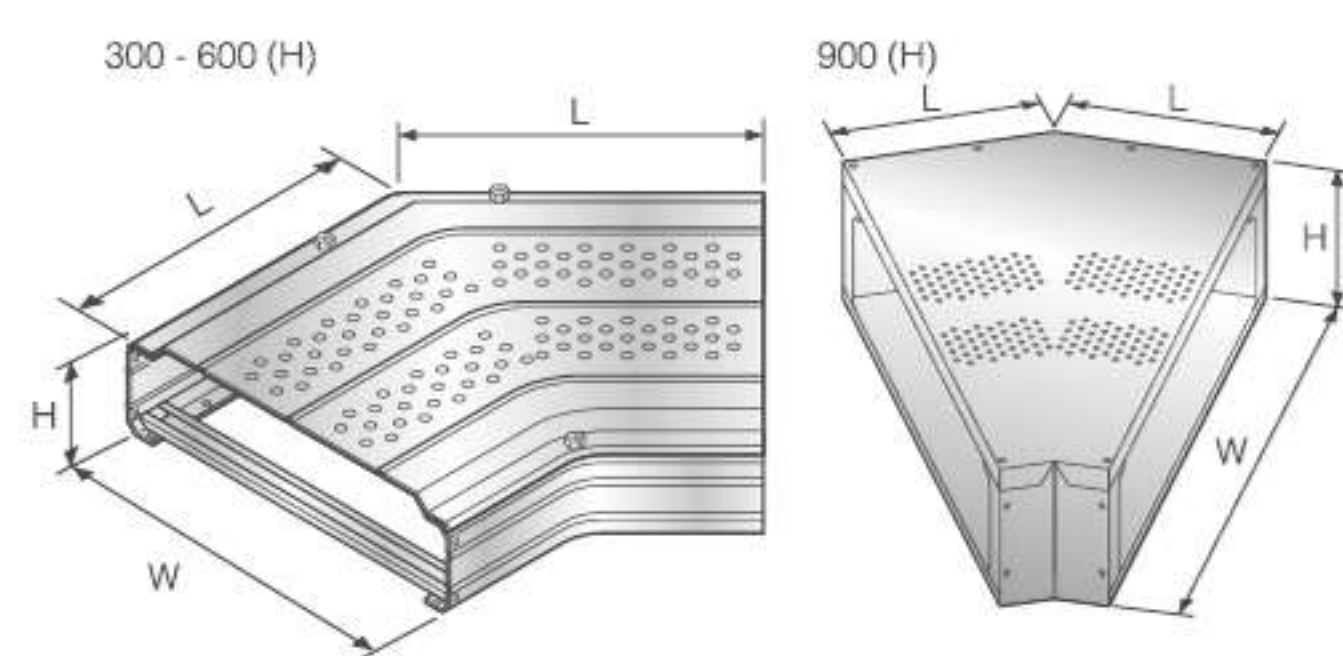
RF 45°FLAT ELL



Code No.	Item No.	Width (W)	Height (H)	L	Pcs/Pkg
C 77125	RF-150-ZA	6"	4-3/8"	4-3/8"	1
C 85432	RF-300-D-ZA	11-7/8"	5-1/4"	12-7/8"	1
C 85442	RF-450-D-ZA	17-3/4"	5-1/4"	15-1/2"	1
C 85452	RF-600-D-ZA	23-5/8"	5-3/8"	18"	1
C 89045	RF-900-A-ZA <i>Special Order Only!</i>	38-5/8"	7-7/8"	22"	1
C 85462	RF-300H-D-ZA	11-7/8"	10"	12-7/8"	1
C 85472	RF-450H-D-ZA	17-3/4"	10"	15-1/2"	1
C 85482	RF-600H-D-ZA	23-5/8"	10"	18"	1
C 89295	RF-900H-A-ZA <i>Special Order Only!</i>	38-5/8"	12-5/8"	22"	1

*Size 600 (H) is supplied with reinforced plate for cover. (It is an optional accessory for size 450H.) *Size 600 (H) is supplied with reinforced plate for joint. *Height of stand for size 900 (H) is 11/4" lower than ducting.

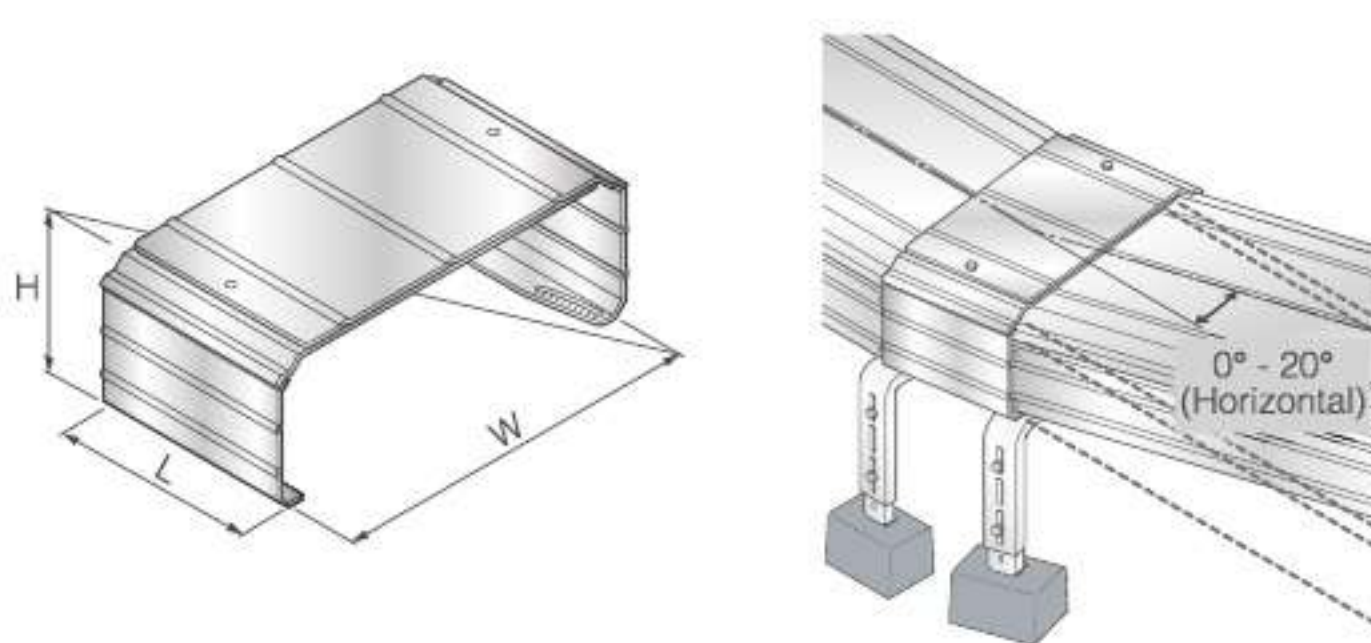
RFW 45°FLAT ELL – WALKWAY



Code No.	Item No.	Width (W)	Height (H)	L	Pcs/Pkg
C 88432	RFW-300-D-ZA <i>Special Order Only!</i>	11-7/8"	5-3/8"	12-7/8"	1
C 88442	RFW-450-D-ZA <i>Special Order Only!</i>	17-3/4"	5-3/8"	15-1/2"	1
C 88452	RFW-600-D-ZA <i>Special Order Only!</i>	23-5/8"	5-3/8"	15-1/8"	1
C 88441	RFW-900-C-ZA <i>Special Order Only!</i>	38-5/8"	7-7/8"	22"	1
C 88462	RFW-300H-D-ZA <i>Special Order Only!</i>	11-7/8"	10"	19-3/4"	1
C 88472	RFW-450H-D-ZA <i>Special Order Only!</i>	17-3/4"	10"	25-5/8"	1
C 88482	RFW-600H-D-ZA <i>Special Order Only!</i>	23-5/8"	10"	31-1/2"	1
C 88841	RFW-900-C-ZA <i>Special Order Only!</i>	38-5/8"	12-5/8"	22"	1

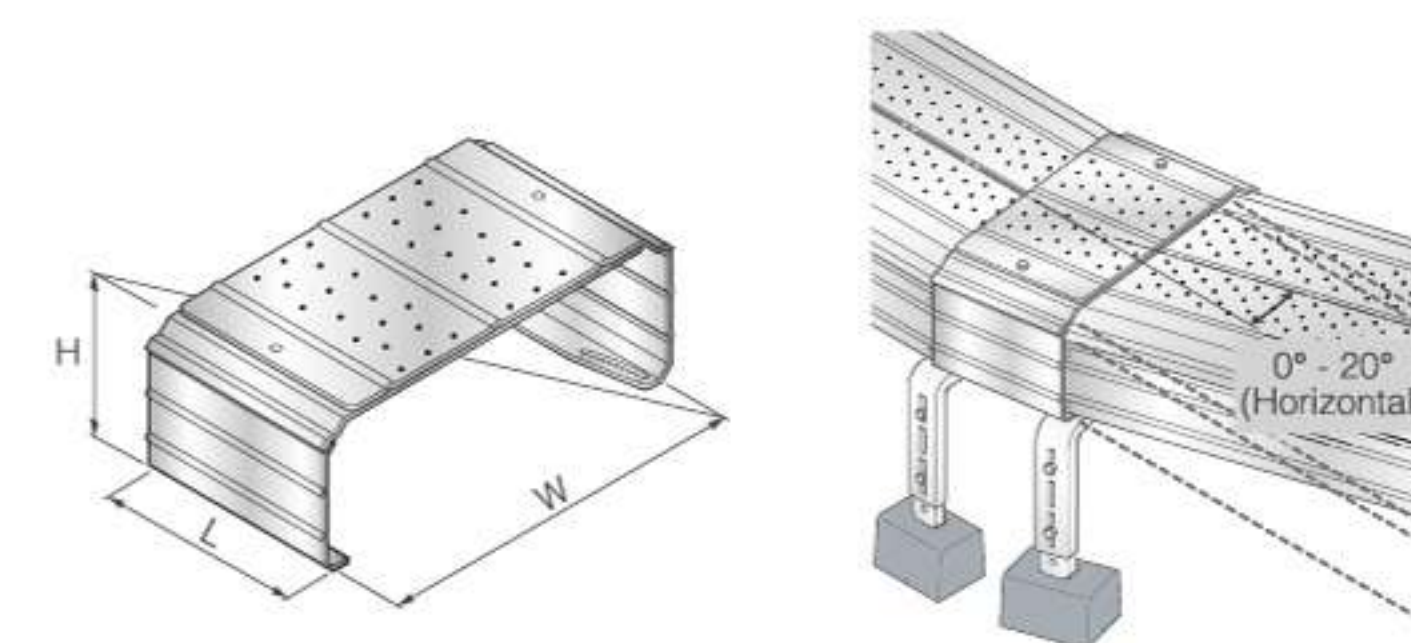
*Size 600(H) is supplied with reinforced plate for joint. *All sizes are supplied with reinforced wide plate for walkway. *Height of stand for size 900 (H) is 11/4" lower than straight duct.

RFS ADJUSTABLE ELL



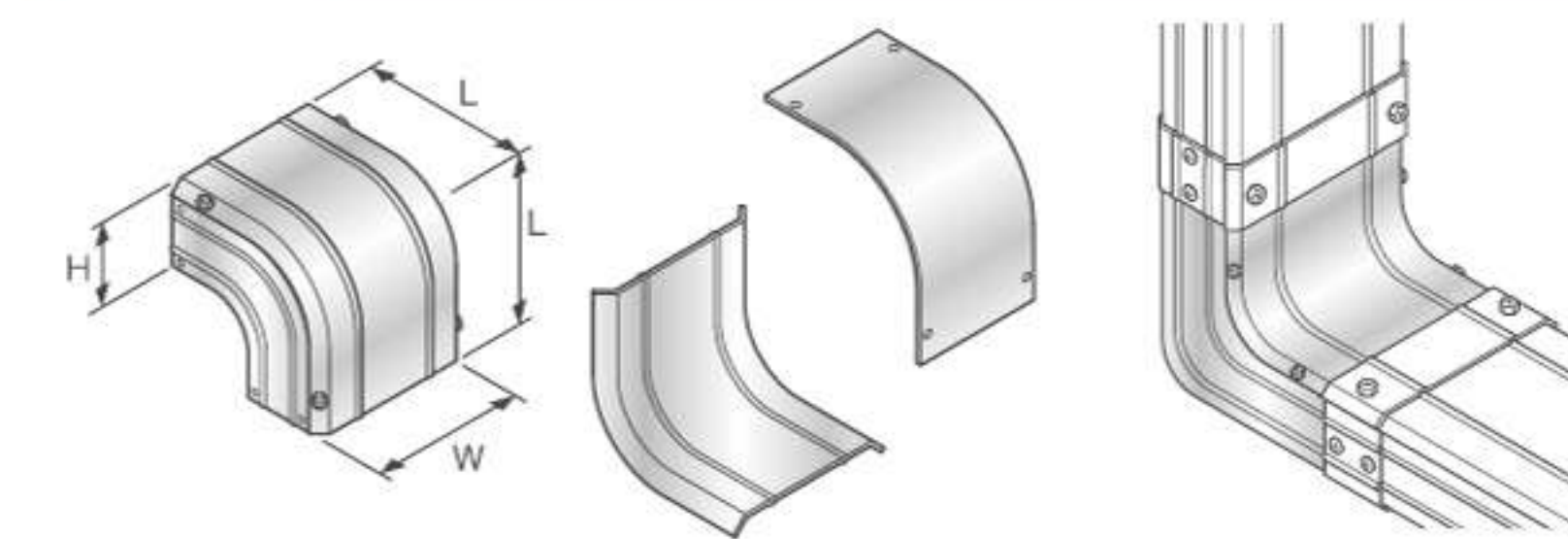
Code No.	Item No.	Width (W)	Height (H)	L	Pcs/Pkg
C 81610	RFS-300-ZA <i>Special Order Only!</i>	12"	5-1/2"	9-1/2"	1
C 81611	RFS-450-ZA <i>Special Order Only!</i>	17-7/8"	5-1/2"	11-1/2"	1
C 81612	RFS-600-ZA <i>Special Order Only!</i>	23-7/8"	5-1/2"	13-1/2"	1
C 81613	RFS-900-ZA <i>Special Order Only!</i>	38-5/8"	5-1/2"	17-3/8"	1
C 81614	RFS-300H-ZA <i>Special Order Only!</i>	12"	10-1/4"	9-1/2"	1
C 81615	RFS-450H-ZA <i>Special Order Only!</i>	17-7/8"	10-1/4"	11-1/2"	1
C 81616	RFS-600H-ZA <i>Special Order Only!</i>	23-7/8"	10-1/4"	13-1/2"	1
C 81617	RFS-900H-ZA <i>Special Order Only!</i>	38-5/8"	10-1/4"	17-3/8"	1

RFSW ADJUSTABLE ELL – WALKWAY



Code No.	Item No.	Width (W)	Height (H)	L	Pcs/Pkg
C 81620	RFSW-300-ZA <i>Special Order Only!</i>	12"	5-1/2"	9-1/2"	1
C 81621	RFSW-450-ZA <i>Special Order Only!</i>	17-7/8"	5-1/2"	11-1/2"	1
C 81622	RFSW-600-ZA <i>Special Order Only!</i>	23-7/8"	5-1/2"	13-1/2"	1
C 81623	RFSW-900-ZA <i>Special Order Only!</i>	38-5/8"	5-1/2"	17-3/8"	1
C 81624	RFSW-300H-ZA <i>Special Order Only!</i>	12"	10-1/4"	9-1/2"	1
C 81625	RFSW-450H-ZA <i>Special Order Only!</i>	17-7/8"	10-1/4"	11-1/2"	1
C 81626	RFSW-600H-ZA <i>Special Order Only!</i>	23-7/8"	10-1/4"	13-1/2"	1
C 81627	RFSW-900H-ZA <i>Special Order Only!</i>	38-5/8"	10-1/4"	17-3/8"	1

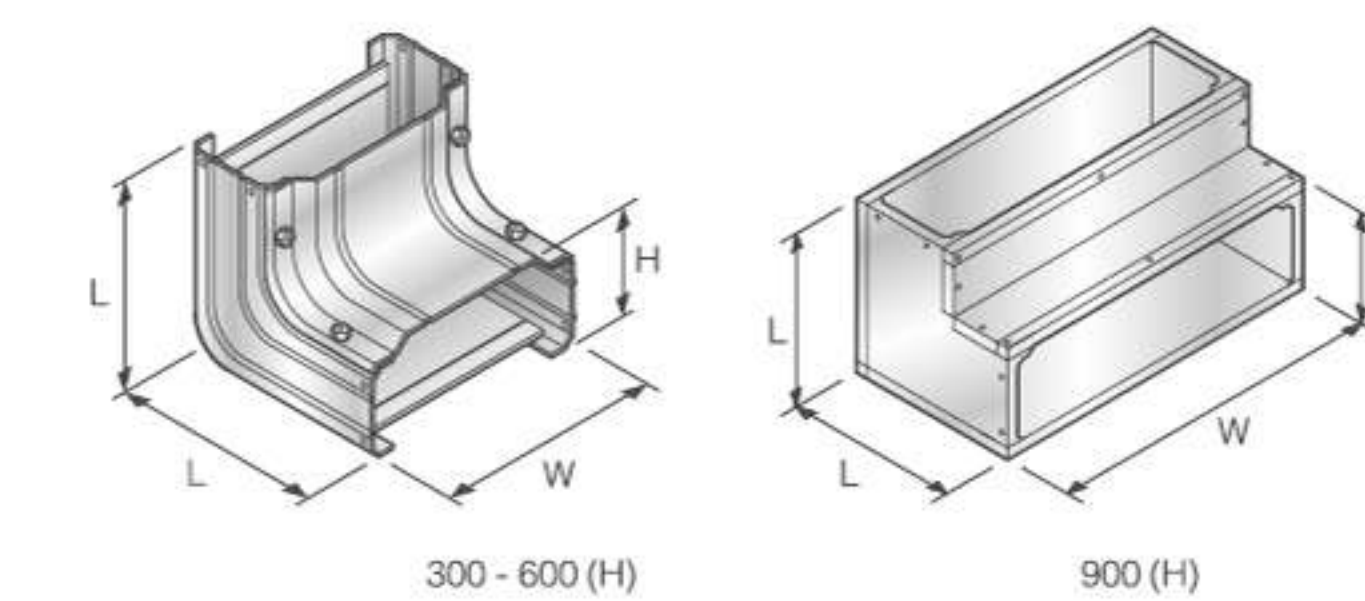
RC 90° VERTICAL ELL <SIZE 150>



Code No.	Item No.	Width (W)	Height (H)	L	Pcs/Pkg
C 77135	RC-150-ZA	6"	4-3/8"	8-3/8"	1

*Includes 2 extra parts which allows this fitting to be used as an inside vertical ell or an outside vertical ell.

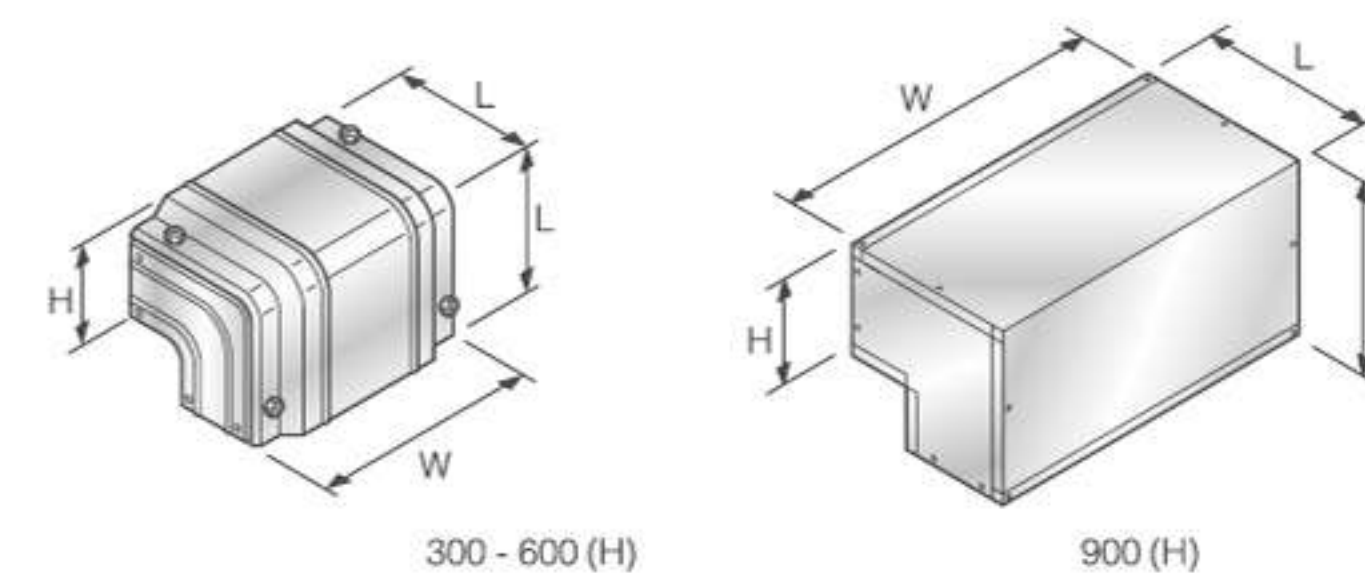
RCI 90° INSIDE VERTICAL ELL



Code No.	Item No.	Width (W)	Height (H)	L	Pcs/Pkg
C 85642	RCI-300-C-ZA	11-7/8"	11-7/8"	11-7/8"	1
C 85652	RCI-450-C-ZA	17-3/4"	17-3/4"	17-3/4"	1
C 85662	RCI-600-C-ZA	23-5/8"	23-5/8"	23-5/8"	1
C 89055	RCI-900-A-ZA <i>Special Order Only!</i>	38-5/8"	38-5/8"	38-5/8"	1
C 85672	RCI-300H-C-ZA	11-7/8"	11-7/8"	11-7/8"	1
C 85682	RCI-450H-C-ZA	17-3/4"	17-3/4"	17-3/4"	1
C 85692	RCI-600H-C-ZA	23-5/8"	23-5/8"	23-5/8"	1
C 89305	RCI-900H-A-ZA <i>Special Order Only!</i>	38-5/8"	38-5/8"	38-5/8"	1

*To connect between elbow fittings on size 900 (H), use RXJ.

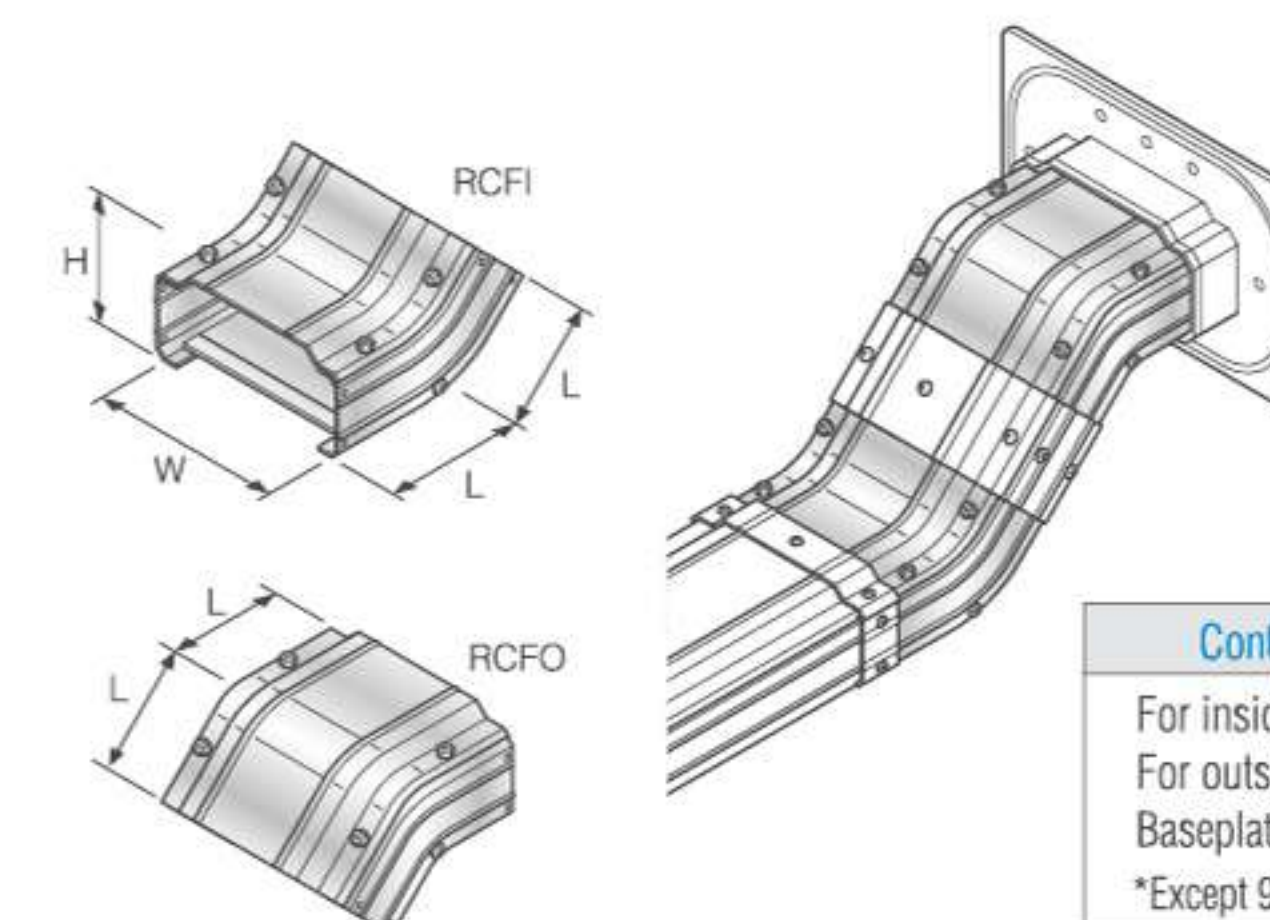
RCO 90° OUTSIDE VERTICAL ELL



Code No.	Item No.	Width (W)	Height (H)	L	Pcs/Pkg
C 85712	RCO-300-C-ZA	11-7/8"	11-7/8"	11-1/8"	1
C 85722	RCO-450-C-ZA	17-3/4"	17-3/4"	11-1/8"	1
C 85732	RCO-600-C-ZA	23-5/8"	23-5/8"	11-1/8"	1
C 89065	RCO-900-A-ZA <i>Special Order Only!</i>	38-5/8"	38-5/8"	15"	1
C 85742	RCO-300H-C-ZA	11-7/8"	11-7/8"	15-7/8"	1
C 85752	RCO-450H-C-ZA	17-3/4"	17-3/4"	15-7/8"	1
C 85762	RCO-600H-C-ZA	23-5/8"	23-5/8"	15-7/8"	1
C 89315	RCO-900H-A-ZA <i>Special Order Only!</i>	38-5/8"	38-5/8"	19-5/8"	1

*To connect between elbow fittings on size 900 (H), use RXJ.

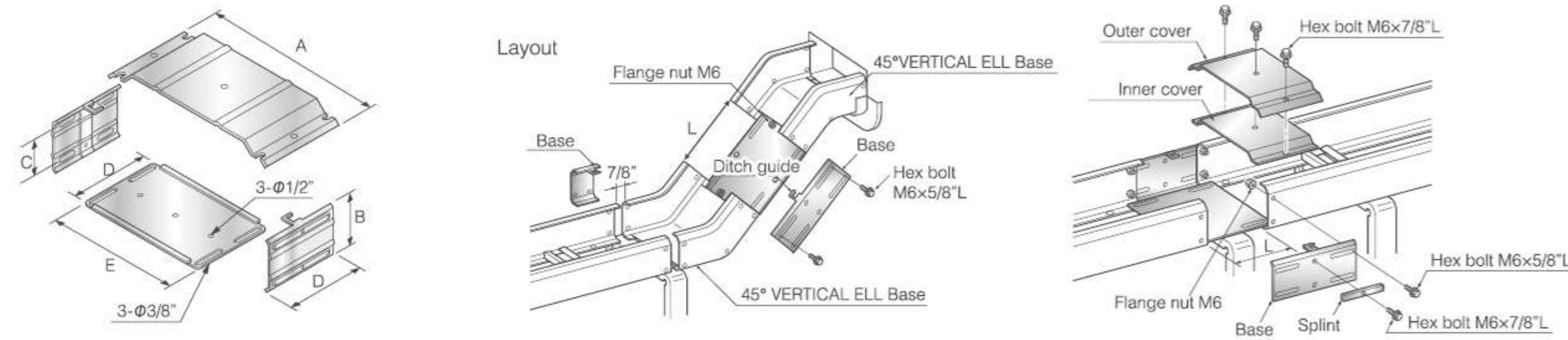
RCF 45° VERTICAL ELL



Code No.	Item No.	Part No.	Width (W)	Height (H)	L	Pcs/Pkg
C 77145	RCF-150-ZA	-	6"	4-3/8"	4-3/8"	1set
C 85782	RCF-300-C-ZA	-	11-7/8"	5-1/4"	5-7/8"	1set
C 85792	RCF-450-C-ZA	-	17-3/4"	5-1/4"	5-7/8"	1set
C 85802	RCF-600-C-ZA	-	23-5/8"	5-3/8"	5-7/8"	1set
C 85812	RCO-900-C-ZA	-	35-1/2"	5-3/8"	7-7/8"	1set
C 85822	RCF-300H-C-ZA	-	11-7/8"	10"	7-7/8"	1set
C 85842	RCF-450H-C-ZA	-	17-3/4"	10"	7-7/8"	1set
C 85852	RCF-600H-C-ZA	-	23-5/8"	10"	7-7/8"	1set
C 85862	RCO-900H-C-ZA <i>Special Order Only!</i>	RCFI-900H-C-ZA	35-1/2"	10"	7-7/8"	1set
C 85872		RCFO-900H-C-ZA			8-1/4"	

Contents
 For inside x 1 pc.
 For outside x 1 pc.
 Baseplate x 1 pc.
 *Except 900 (H)

RSS ADJUSTABLE COUPLER

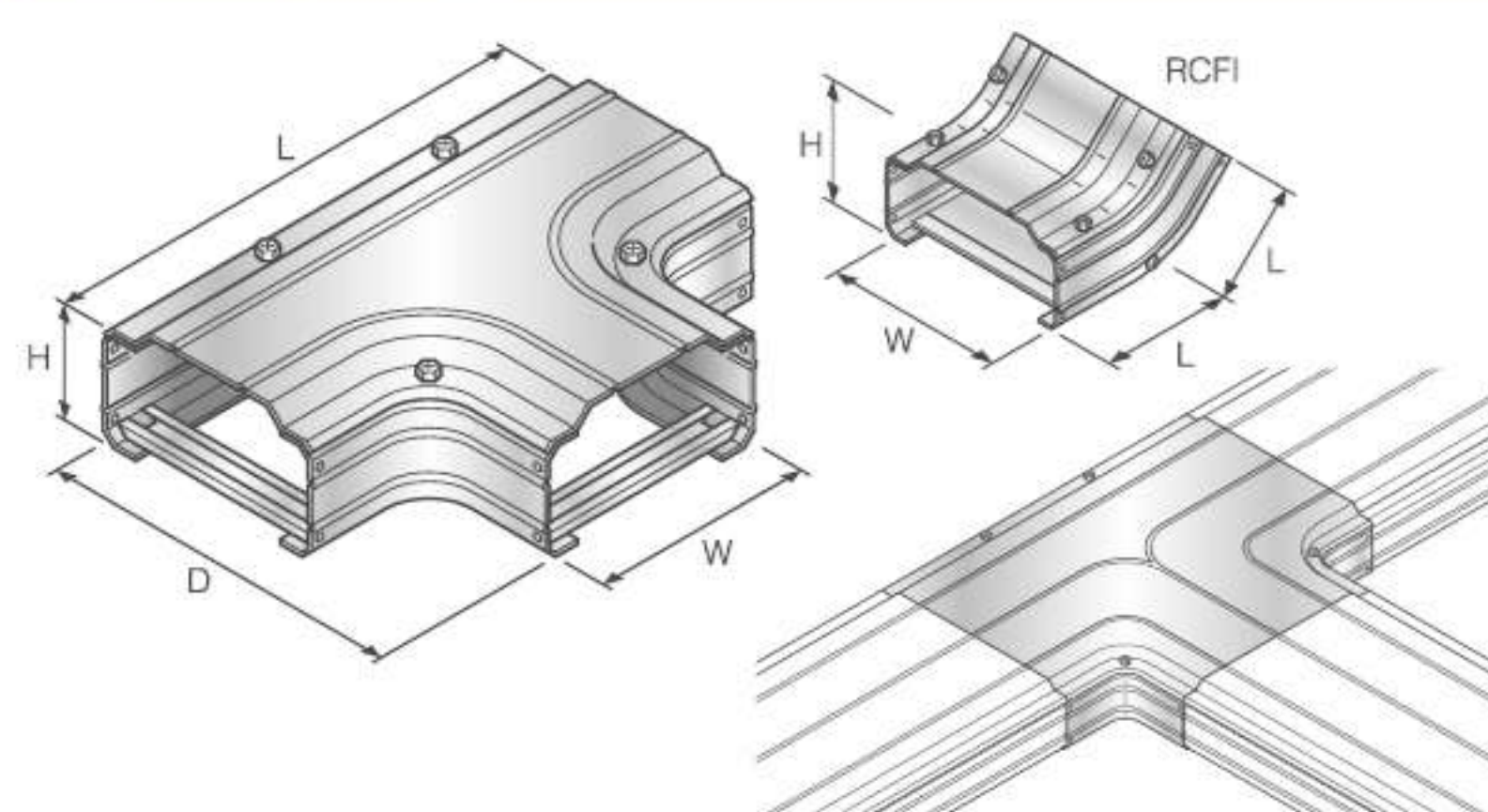


Code No.	Item No.	A	B	C	D	E	L	Pcs/Pkg
C 85637	RSS-300-1-A-ZA	11-3/4"	4-1/4"	2-3/8"	6-3/8"	10-1/2"	7/8"-4-3/4"	1
C 85647	RSS-300-2-A-ZA				10-1/4"		4-3/4"-8-3/4"	1
C 85657	RSS-300-3-A-ZA				14-1/4"		8-3/4"-12-5/8"	1
C 85667	RSS-450-1-A-ZA	17-5/8"			6-3/8"	16-1/2"	7/8"-4-3/4"	1
C 85677	RSS-450-2-A-ZA				10-1/4"		4-3/4"-8-3/4"	1
C 85687	RSS-450-3-A-ZA				14-1/4"		8-3/4"-12-5/8"	1
C 85697	RSS-600-1-A-ZA	23-5/8"	6-3/8"	22-3/8"	7/8"-4-3/4"	1		
C 85707	RSS-600-2-A-ZA		10-1/4"		4-3/4"-8-3/4"	1		
C 85717	RSS-600-3-A-ZA		14-1/4"		8-3/4"-12-5/8"	1		
C 84937	RSS-900-1-A-ZA	34-1/8"	6-3/8"	34-1/8"	7/8"-4-3/4"	1		
C 84947	RSS-900-2-A-ZA		10-1/4"		4-3/4"-8-3/4"	1		
C 84957	RSS-900-3-A-ZA		14-1/4"		8-3/4"-12-5/8"	1		

Code No.	Item No.	A	B	C	D	E	L	Pcs/Pkg
C 84597	RSS-300H-1-A-ZA	11-3/4"	8-7/8"	5-5/8"	6-3/8"	10-1/2"	7/8"-4-3/4"	1
C 84607	RSS-300H-2-A-ZA				10-1/4"		4-3/4"-8-3/4"	1
C 84617	RSS-300H-3-A-ZA				14-1/4"		8-3/4"-12-5/8"	1
C 85727	RSS-450H-1-A-ZA	17-5/8"			6-3/8"	16-1/2"	7/8"-4-3/4"	1
C 85737	RSS-450H-2-A-ZA				10-1/4"		4-3/4"-8-3/4"	1
C 85747	RSS-450H-3-A-ZA				14-1/4"		8-3/4"-12-5/8"	1
C 85757	RSS-600H-1-A-ZA	23-5/8"	6-3/8"	22-3/8"	7/8"-4-3/4"	1		
C 85767	RSS-600H-2-A-ZA		10-1/4"		4-3/4"-8-3/4"	1		
C 85777	RSS-600H-3-A-ZA		14-1/4"		8-3/4"-12-5/8"	1		
C 84967	RSS-900H-1-A-ZA	35-3/8"	6-3/8"	34-1/8"	7/8"-4-3/4"	1		
C 84977	RSS-900H-2-A-ZA		10-1/4"		4-3/4"-8-3/4"	1		
C 84987	RSS-900H-3-A-ZA		14-1/4"		8-3/4"-12-5/8"	1		

*RSS cannot be connected directly into a WALKWAY elbow unless it is extended to its maximum length and is attached using the outer edges of the slotted fixing holes along its side and bottom.
 *ADJUSTABLE COUPLER - WALKWAY (RSSW) is a non-standard item, only available at special order.
 *When connecting RSS to 78-3/4" or 39-3/8" length of RD duct or to 45° VERTICAL ELL elbow (RCF), the baseplate cannot be installed. If you need to install the baseplate, please install in your responsibility.

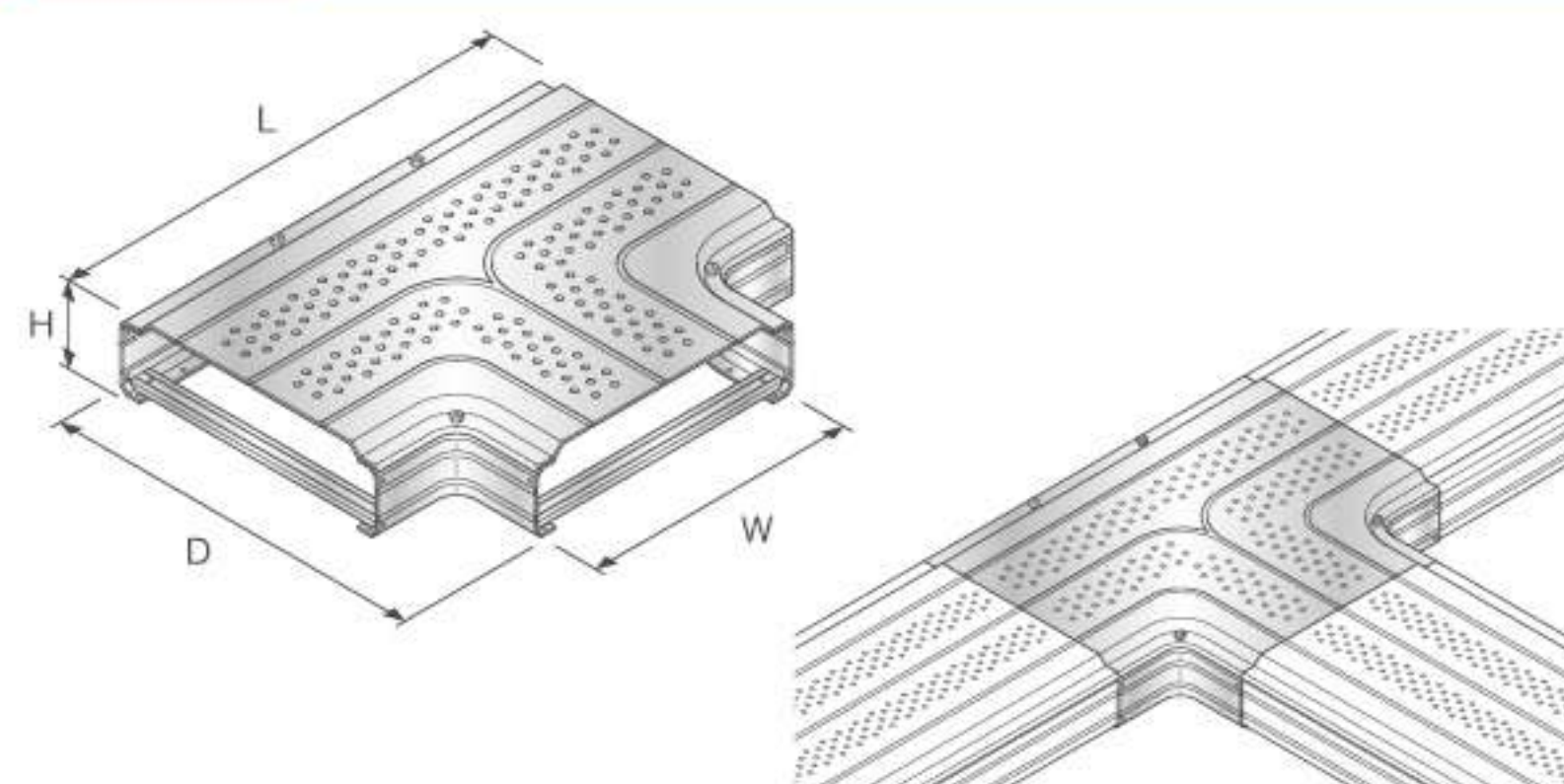
RT TEE



Code No.	Item No.	Width (W)	Height (H)	D	L	Pcs/Pkg
C 77115	RT-150-ZA	6"	4-3/4"	9-7/8"	13-7/8"	1
C 85502	RT-300-D-ZA	11-7/8"	5-1/4"	19-5/8"	27-5/8"	1
C 85512	RT-450-D-ZA	17-3/4"	5-1/4"	25-1/2"	33-1/2"	1
C 85522	RT-600-D-ZA	23-5/8"	5-3/8"	31-1/2"	39-3/8"	1
C 85532	RT-300H-D-ZA	11-7/8"	10"	19-3/4"	27-5/8"	1
C 88542	RT-450H-D-ZA	17-3/4"	10"	25-3/8"	33-1/2"	1
C 88552	RT-600H-D-ZA	23-5/8"	10"	31-1/2"	39-3/8"	1

*Size 600 (H) is supplied with reinforced plate for joint.
 *Use RX-900 (H) for size 900 (H).

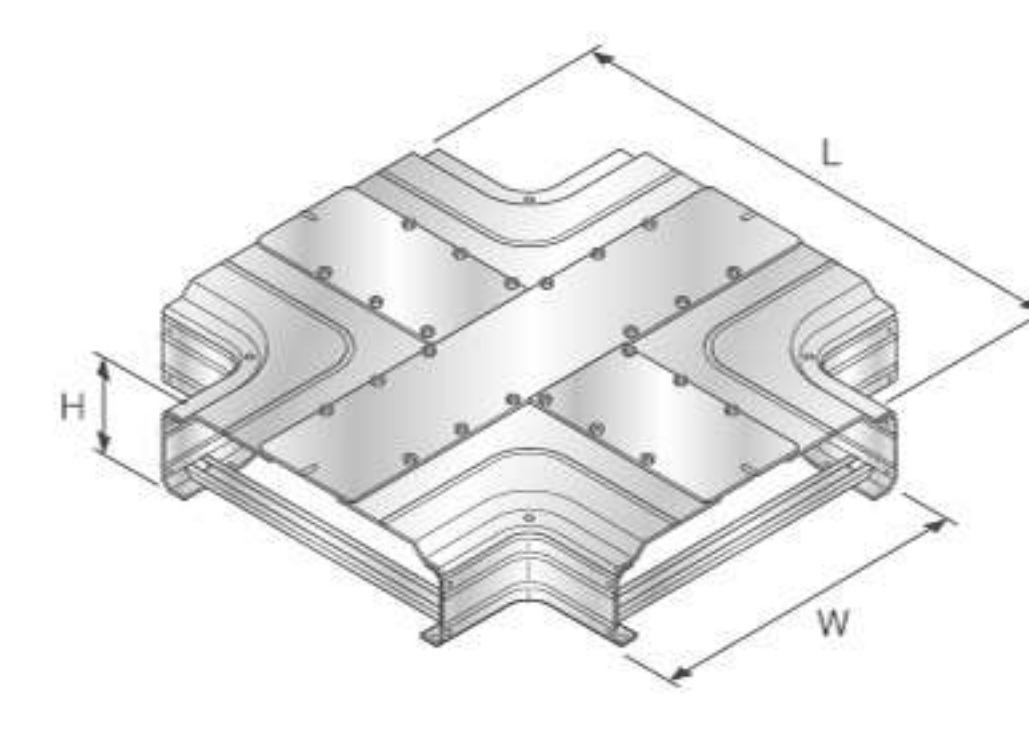
RTW TEE - WALKWAY



Code No.	Item No.	Width (W)	Height (H)	D	L	Pcs/Pkg	
C 88502	RTW-300-D-ZA	Special Order Only!	11-7/8"	5-3/8"	19-3/4"	27-5/8"	1
C 88512	RTW-450-D-ZA	Special Order Only!	17-3/4"	5-3/8"	25-5/8"	33-1/2"	1
C 88522	RTW-600-D-ZA	Special Order Only!	23-5/8"	5-3/8"	31-1/2"	39-3/8"	1
C 85532	RTW-300H-D-ZA	Special Order Only!	11-7/8"	10"	19-3/4"	27-5/8"	1
C 88542	RTW-450H-D-ZA	Special Order Only!	17-3/4"	10"	25-5/8"	33-1/2"	1
C 88552	RTW-600H-D-ZA	Special Order Only!	23-5/8"	10"	31-1/2"	39-3/8"	1

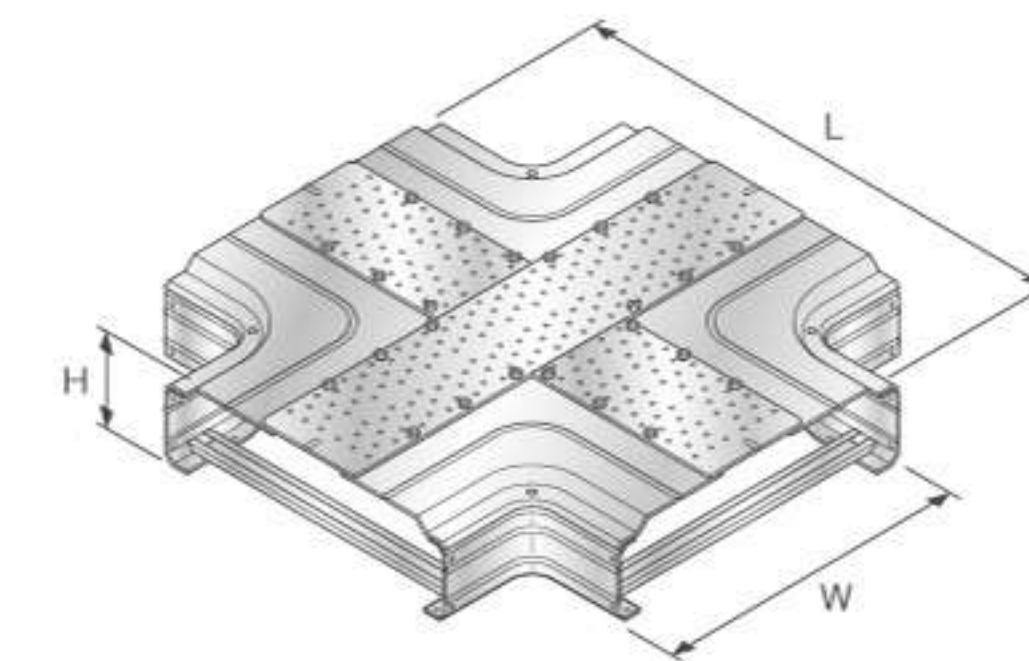
*Size 600 (H) is supplied with reinforced plate for joint.
 *All sizes are supplied with reinforced wide plate for walkway.
 *Use RXW-900 (H) for size 900 (H).

RXN CROSS COUPLER



Code No.	Item No.	Width (W)	Height (H)	L	Pcs/Pkg
C 85572	RXN-300-D-ZA	11-7/8"	5-1/4"	27-5/8"	1
C 85582	RXN-450-D-ZA	17-3/4"	5-1/4"	33-1/2"	1
C 85592	RXN-600-D-ZA	23-5/8"	5-3/8"	39-3/8"	1
C 85602	RXN-300H-D-ZA	11-7/8"	10"	27-5/8"	1
C 85612	RXN-450H-D-ZA	17-3/4"	10"	33-1/2"	1
C 85622	RXN-600H-D-ZA	23-5/8"	10"	39-3/8"	1

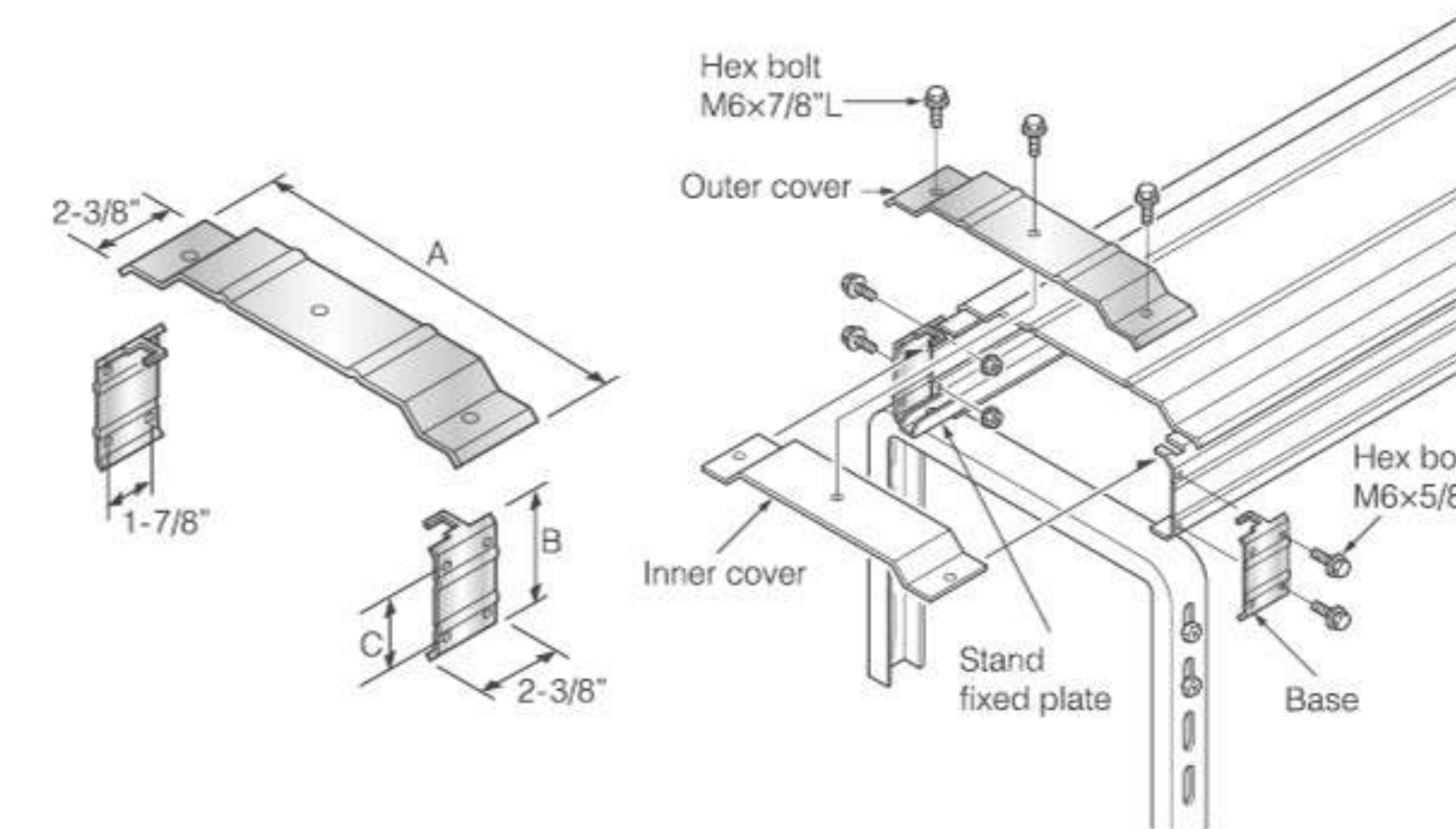
RXNW CROSS COUPLER - WALKWAY



Code No.	Item No.	Width (W)	Height (H)	L	Pcs/Pkg	
C 88572	RXNW-300-D-ZA	Special Order Only!	11-7/8"	5-3/8"	27-5/8"	1
C 88582	RXNW-450-D-ZA	Special Order Only!	17-3/4"	5-3/8"	33-1/2"	1
C 88592	RXNW-600-D-ZA	Special Order Only!	23-5/8"	5-3/8"	39-3/8"	1
C 88602	RXNW-300H-D-ZA	Special Order Only!	11-7/8"	10"	27-5/8"	1
C 88612	RXNW-450H-D-ZA	Special Order Only!	17-3/4"	10"	33-1/2"	1
C 88622	RXNW-600H-D-ZA	Special Order Only!	23-5/8"	10"	39-3/8"	1

RSJ COUPLER

For standard length duct & fittings

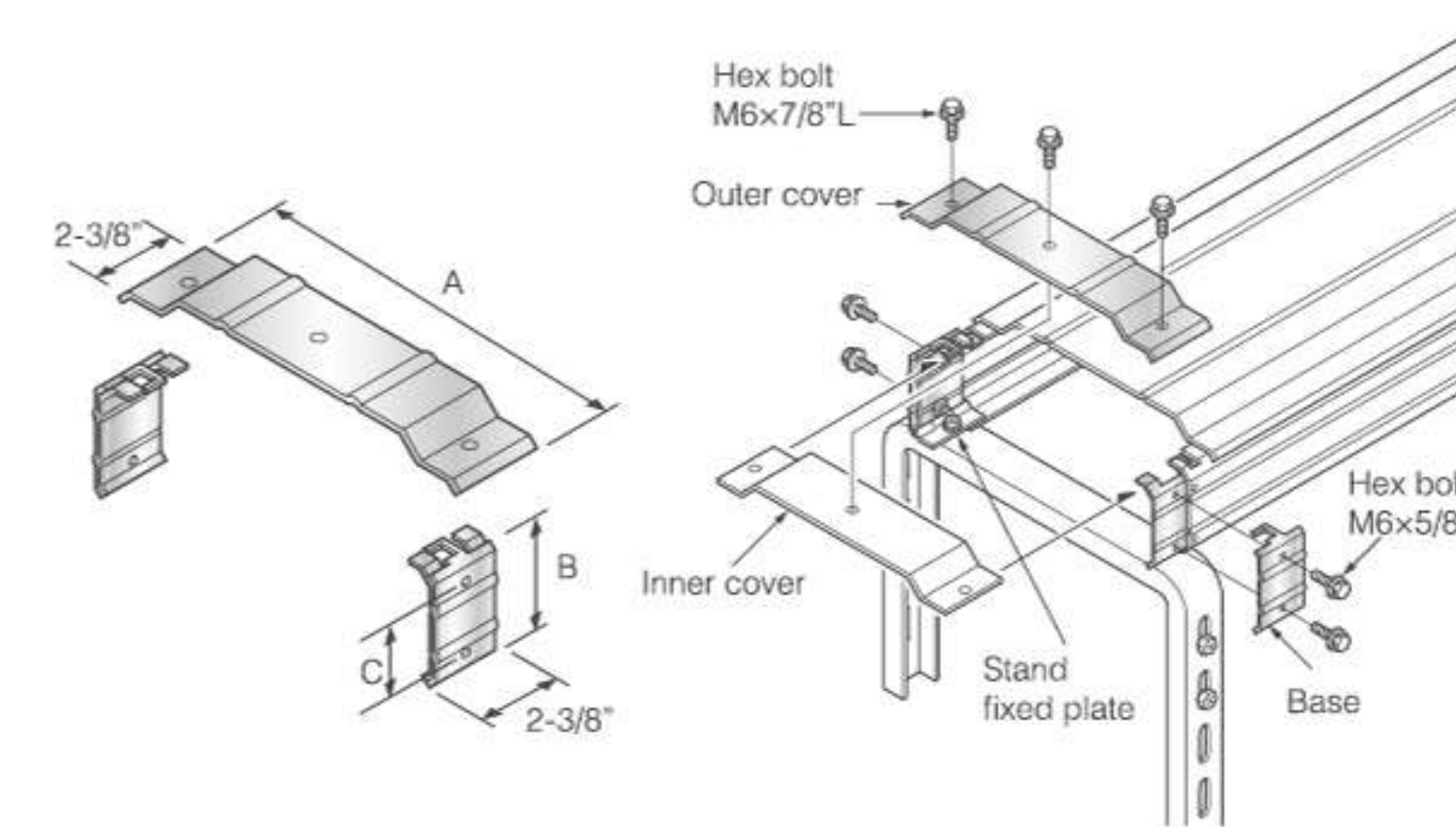


Code No.	Item No.	A	B	C	Pcs/Pkg	
C 77167	RSJ-150-A-ZA	6-1/8"	4-1/4"	-	15	
C 85537	RSJ-300-A-ZA	11-5/8"	4-1/4"	2-3/8"	15	
C 85547	RSJ-450-A-ZA	17-5/8"	4-1/4"	2-3/8"	15	
C 85557	RSJ-600-A-ZA	23-1/2"	4-1/4"	2-3/8"	9	
C 84917	RSJ-900-A-ZA	*1 Special Order Only!	35-1/4"	4-1/4"	2-3/8"	1
C 84557	RSJ-300H-A-ZA	11-5/8"	8-7/8"	8-7/8"	9	
C 85567	RSJ-450H-A-ZA	17-5/8"	8-7/8"	8-7/8"	9	
C 85577	RSJ-600H-A-ZA	22-3/4"	8-7/8"	8-7/8"	9	
C 84927	RSJ-900H-A-ZA	*1 Special Order Only!	35-1/4"	8-7/8"	8-7/8"	1

*1 To attach 900 (H) ells, use RXJ coupler.

RFJ FREE COUPLER (A TYPE)

For cut part of duct (Mounted on the wall in vertical installation)

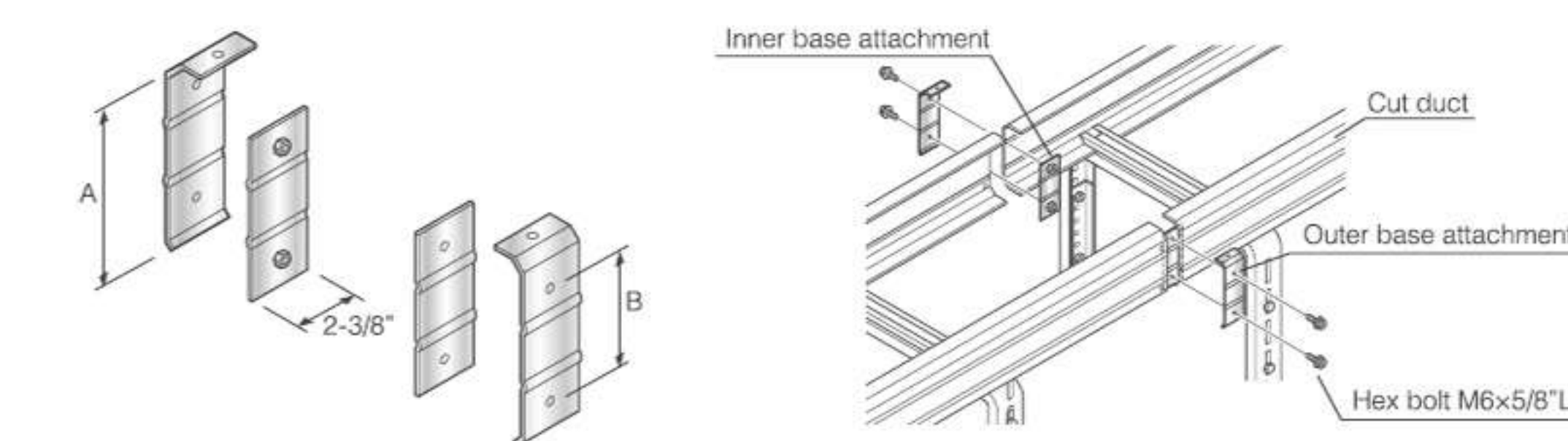


Code No.	Item No.	A	B	C	Pcs/Pkg	
C 77177	RFJ-150-A-ZA	6-1/8"	4-1/4"	-	15	
C 85587	RFJ-300-A-ZA	11-5/8"	4-1/4"	2-3/8"	15	
C 85597	RFJ-450-A-ZA	17-5/8"	4-1/4"	2-3/8"	15	
C 85607	RFJ-600-A-ZA	23-1/2"	4-1/4"	2-3/8"	9	
C 84877	RFJ-900-A-ZA	*1 Special Order Only!	35-1/4"	4-1/4"	2-3/8"	1
C 84567	RFJ-300H-A-ZA	11-5/8"	8-7/8"	8-7/8"	9	
C 85617	RFJ-450H-A-ZA	17-5/8"	8-7/8"	8-7/8"	9	
C 85627	RFJ-600H-A-ZA	23-1/2"	8-7/8"	8-7/8"	9	
C 84887	RFJ-900H-A-ZA	*1 Special Order Only!	35-1/4"	8-7/8"	8-7/8"	1

*1 To attach 900 (H) ells, use RXJ coupler.

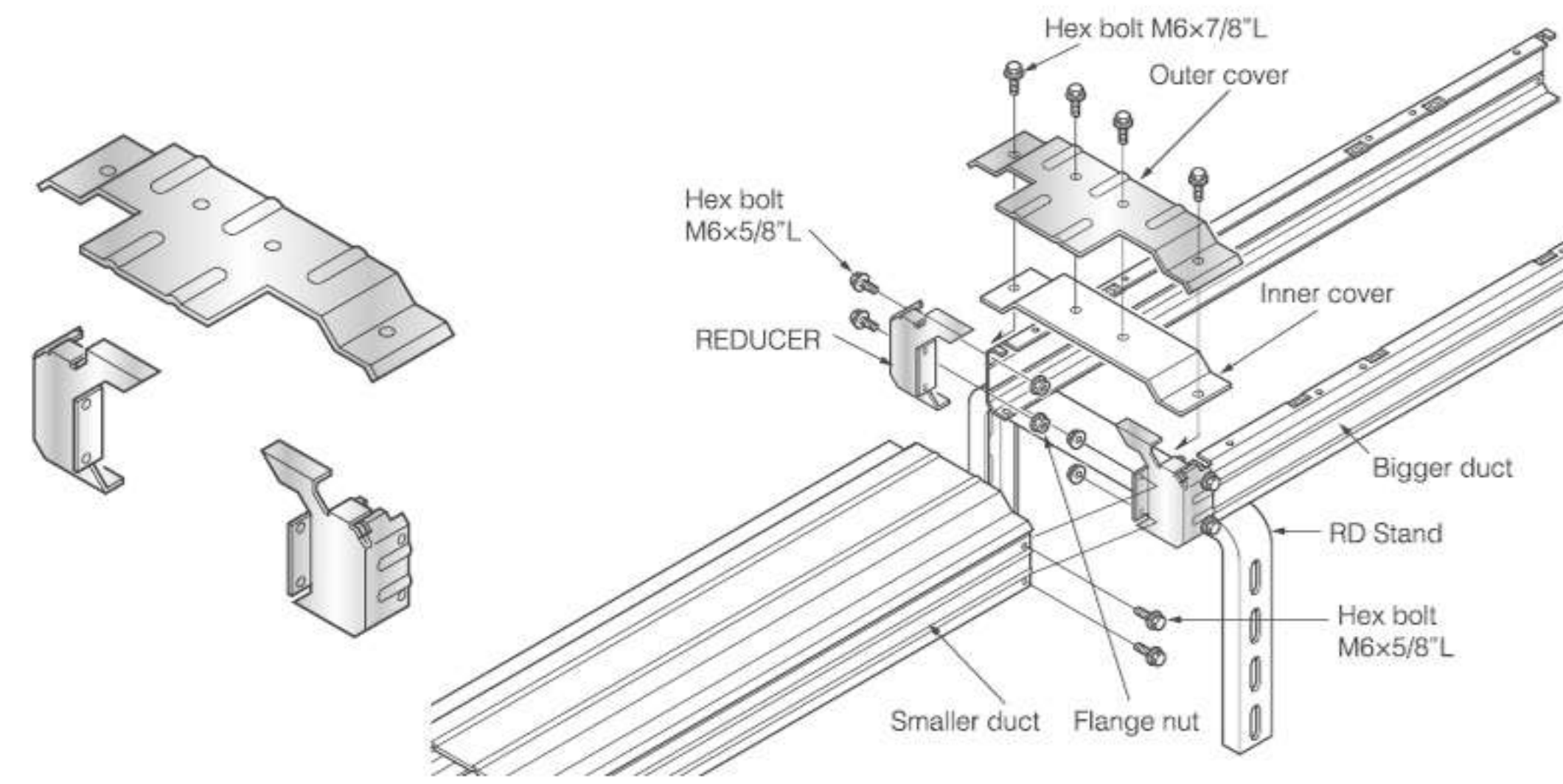
RFJ FREE COUPLER (S/H TYPE)

For cut part of duct (Mounted on the wall in vertical installation)



Code No.	Item No.	A	B	Pcs/Pkg
C 85901	RFJ-S-ZA	3-1/4"	1-1/4"	1
C 85911	RFJ-H-ZA	8"	3"	1

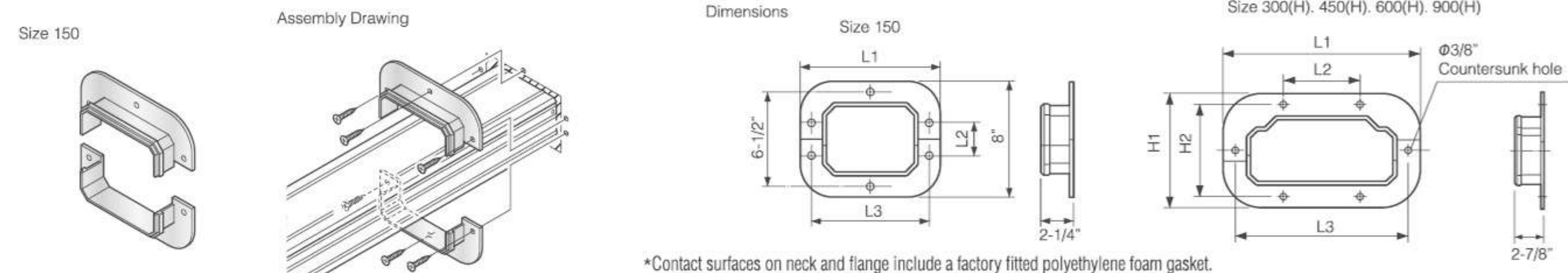
RR REDUCER



*Baseplate is not available for REDUCER. For applications on vertical wall, do not use brackets to mount RR Reducer. If you need to install, please make and install the baseplate in advance in your responsibility.

Code No.	Item No.	Pcs/Pkg
C 85437	RR-300-150-A-ZA	1
C 85447	RR-450-300-A-ZA	1
C 85457	RR-600-300-A-ZA	1
C 85467	RR-600-450-A-ZA	1
C 84897	RR-900-600-A-ZA	Special Order Only!
C 84547	RR-300H-300-A-ZA	1
C 88957	RR-450H-300H-A-ZA	1
C 85487	RR-450H-450-A-ZA	1
C 88967	RR-600H-300H-A-ZA	1
C 85507	RR-600H-450-A-ZA	1
C 85527	RR-600H-600-A-ZA	1
C 85517	RR-600H-450H-A-ZA	1
C 84907	RR-900H-600H-A-ZA	Special Order Only!

RWP WALL FLANGE

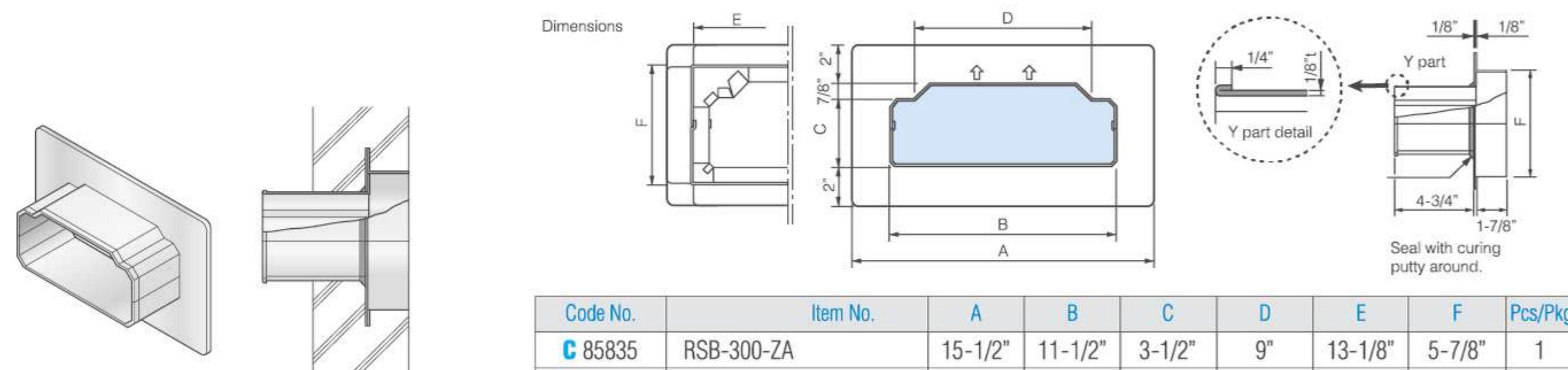


*Contact surfaces on neck and flange include a factory fitted polyethylene foam gasket.

Code No.	Item No.	L1	L2	L3	H1	H2	Pcs/Pkg
C 77185	RWP-150-ZA	9-5/8"	2-1/4"	8-1/8"	-	-	1
C 75115	RWP-300-ZA	16-3/8"	6-3/8"	14-3/8"	9-5/8"	7-5/8"	1
C 75165	RWP-450-ZA	22-1/4"	12-1/4"	20-1/4"	9-5/8"	7-5/8"	1
C 79205	RWP-600-ZA	28-1/8"	15-3/4"	26-1/4"	9-5/8"	7-5/8"	1
C 89186	RWP-900-A-ZA	40"	25-5/8"	38"	9-5/8"	7-5/8"	1
C 84675	RWP-300H-ZA	16-3/8"	6-3/8"	14-3/8"	14-3/8"	12-3/8"	1
C 76865	RWP-450H-ZA	22-1/4"	12-1/4"	20-1/4"	14-3/8"	12-3/8"	1
C 79355	RWP-600H-ZA	28-1/8"	15-3/4"	26-1/4"	14-3/8"	12-3/8"	1
C 89466	RWP-900H-A-ZA	40"	25-5/8"	38"	14-3/8"	12-3/8"	1

RSB WALL SLEEVE

Use in combination with RWP



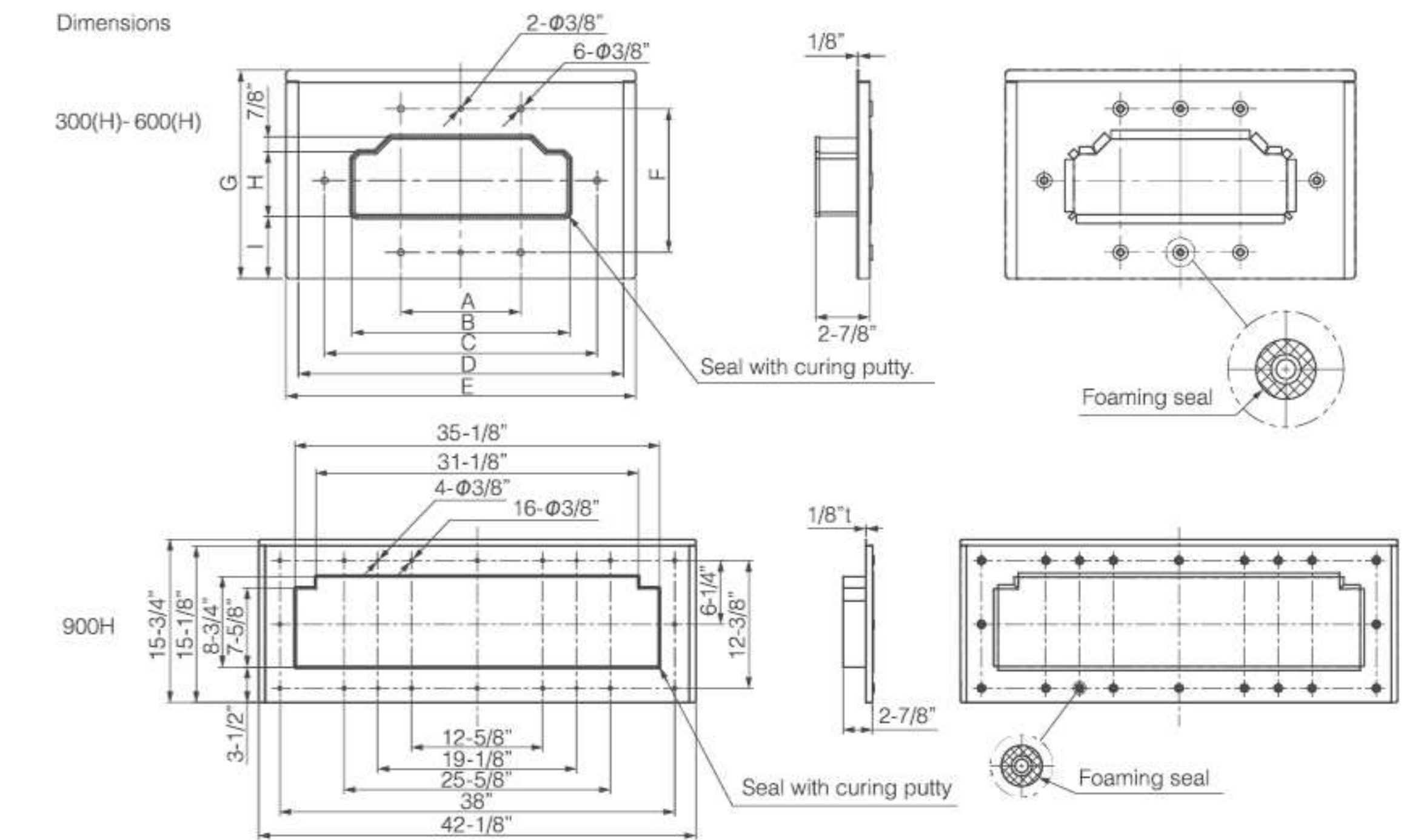
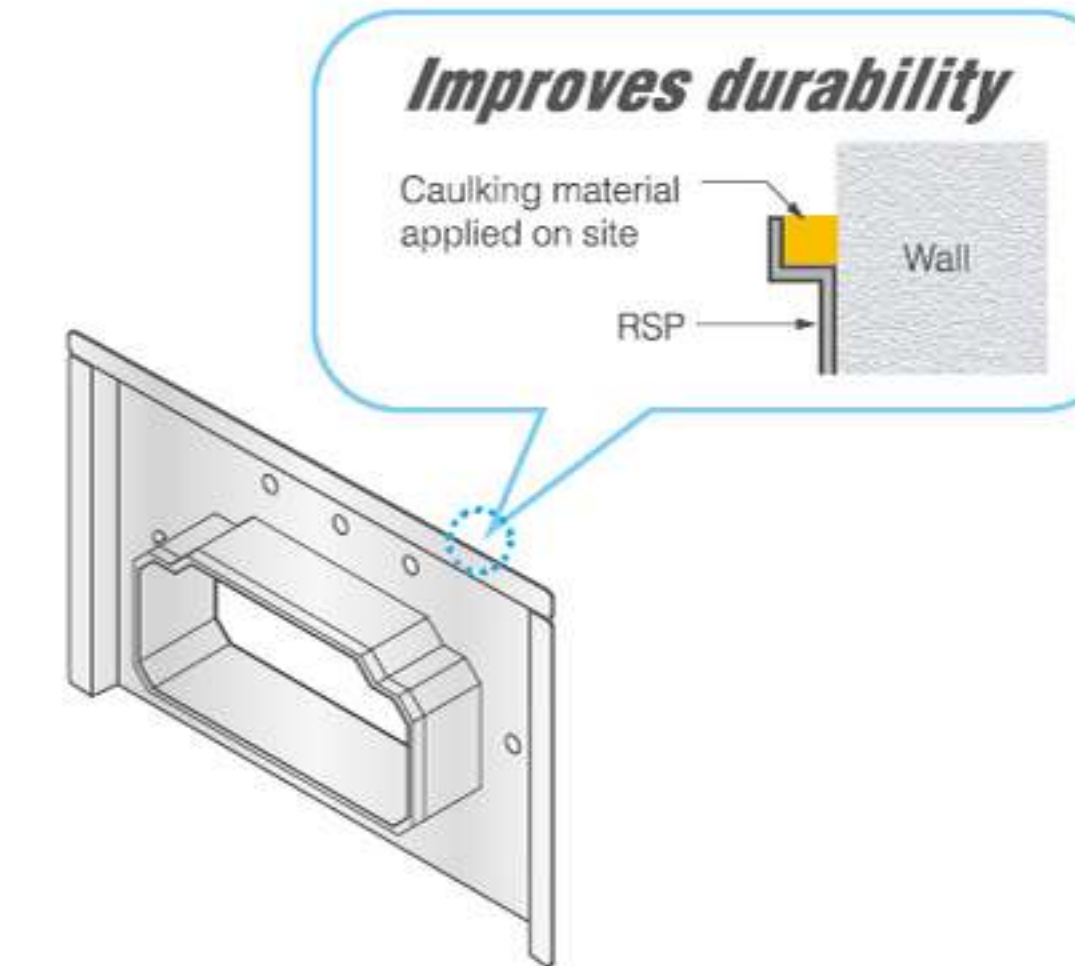
Code No.	Item No.	A	B	C	D	E	F	Pcs/Pkg
C 85835	RSB-300-ZA	15-1/2"	11-1/2"	3-1/2"	9"	13-1/8"	5-7/8"	1
C 85845	RSB-450-ZA	21-3/8"	17-3/8"	3-1/2"	15"	19"	5-7/8"	1
C 85855	RSB-600-ZA	27-1/4"	23-3/8"	3-1/2"	20-7/8"	24-7/8"	5-7/8"	1
C 84635	RSB-300H-ZA	15-1/2"	11-1/2"	8-1/4"	9"	13-1/8"	10-5/8"	1
C 85865	RSB-450H-ZA	21-3/8"	17-3/8"	8-1/4"	15"	19"	10-5/8"	1
C 85875	RSB-600H-ZA	27-1/4"	23-3/8"	8-1/4"	20-7/8"	24-7/8"	10-5/8"	1

*Use CHAMBER BOX (CB) for size 900 (H).

RSP CUTOFF WALL PLATE

Use in combination with RWP

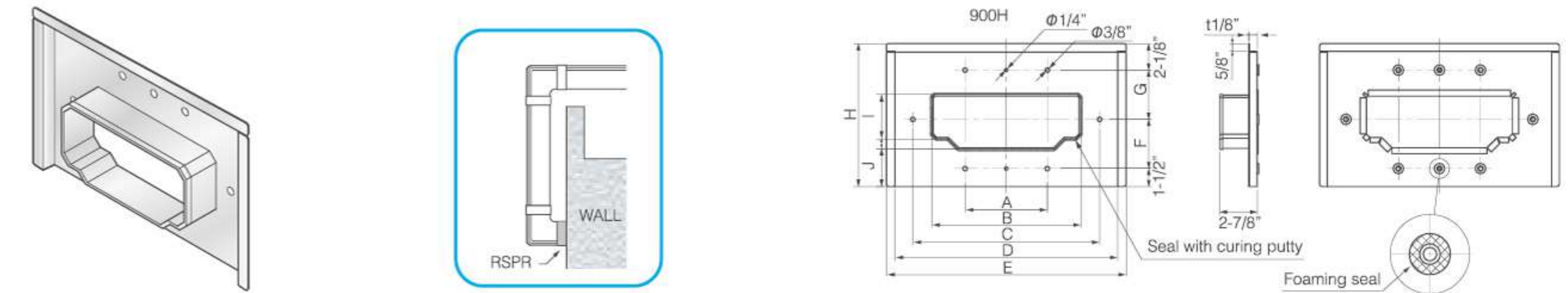
Integral recess for sealant material facilitates caulking on site, provides a reliable seal and improves durability.



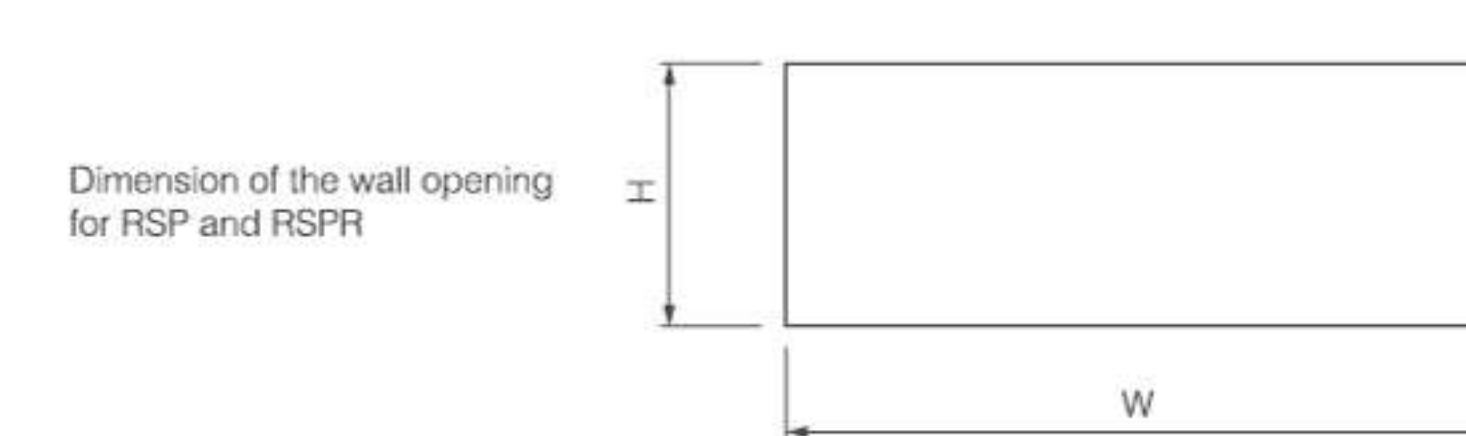
Code No.	Item No.	A	B	C	D	E	F	G	H	I	Pcs/Pkg
C 85787	RSP-300-A-ZA	6-3/8"	11-1/2"	14-1/4"	17-1/8"	18-1/2"				3-3/8"	1
C 85797	RSP-450-A-ZA	12-1/4"	17-3/8"	20-1/4"	23"	24-3/8"	7-5/8"	11"	3-1/2"	3-3/8"	1
C 85807	RSP-600-A-ZA	15-3/4"	23-3/8"	26-1/4"	29"	30-1/4"				3-3/8"	1
C 84627	RSP-300H-A-ZA	6-3/8"	11-1/2"	14-1/4"	17-1/8"	18-1/2"					1
C 85817	RSP-450H-A-ZA	12-1/4"	17-3/8"	20-1/4"	23"	24-3/8"	12-3/8"	15-3/4"	8-1/4"	3-1/4"	1
C 85827	RSP-600H-A-ZA	15-3/4"	23-3/8"	26-1/4"	29"	30-1/4"					1
C 89497	RSP-900H-A-ZA	Special Order Only!					Refer the dimension				1

RSPR CUTOFF WALL PLATE (UPSIDE DOWN)

Use in combination with RWP

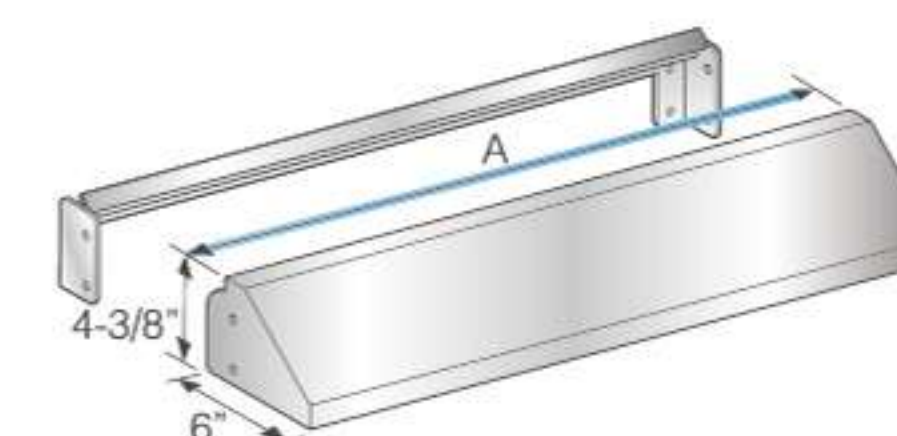


Code No.	Item No.	A	B	C	D	E	F	G	H	I	J	Pcs/Pkg
C 86311	RSPR-300-A-ZA	6-3/8"	11-1/2"	14-1/4"	17-1/8"	18-1/2"	3-7/8"	3-3/4"	11"	3-1/2"	2-7/8"	1
C 86312	RSPR-450-A-ZA	12-1/4"	17-3/8"	20-1/4"	23"	24-3/8"	3-7/8"	3-3/4"	11"	3-1/2"	2-7/8"	1
C 86313	RSPR-600-A-ZA	15-3/4"	23-3/8"	26-1/4"	29"	30-1/4"	3-7/8"	3-3/4"	11"	3-1/2"	2-7/8"	1
C 86315	RSPR-300H-A-ZA	6-3/8"	11-1/2"	14-1/4"	17-1/8"	18-1/2"	6-1/4"	6-1/8"	15-3/4"	8-1/4"	3"	1
C 86316	RSPR-450H-A-ZA	12-1/4"	17-3/8"	20-1/4"	23"	24-3/8"	6-1/4"	6-1/8"	15-3/4"	8-1/4"	3"	1



Size	W	H
300/300H	11-7/8"	4-3/4"/9-3/8"
450/450H	11-3/4"	4-3/4"/9-3/8"
600/600H	23-5/8"	4-3/4"/9-3/8"
900/900H	35-1/2"	4-3/4"/9-3/8"

RSPC PROTECT COVER FOR CUTOFF WALL PLATE



Code No.	Item No.	A	Pcs/Pkg
C 86321	RSPC-300-ZA	22-1/8"	1
C 86322	RSPC-450-ZA	28"	1
C 86323	RSPC-600-ZA	34"	1
C 86324	RSPC-900-ZA	45-3/4"	1

Bracket Selector Table: 300(H) .450(H) .600(H) .900(H)

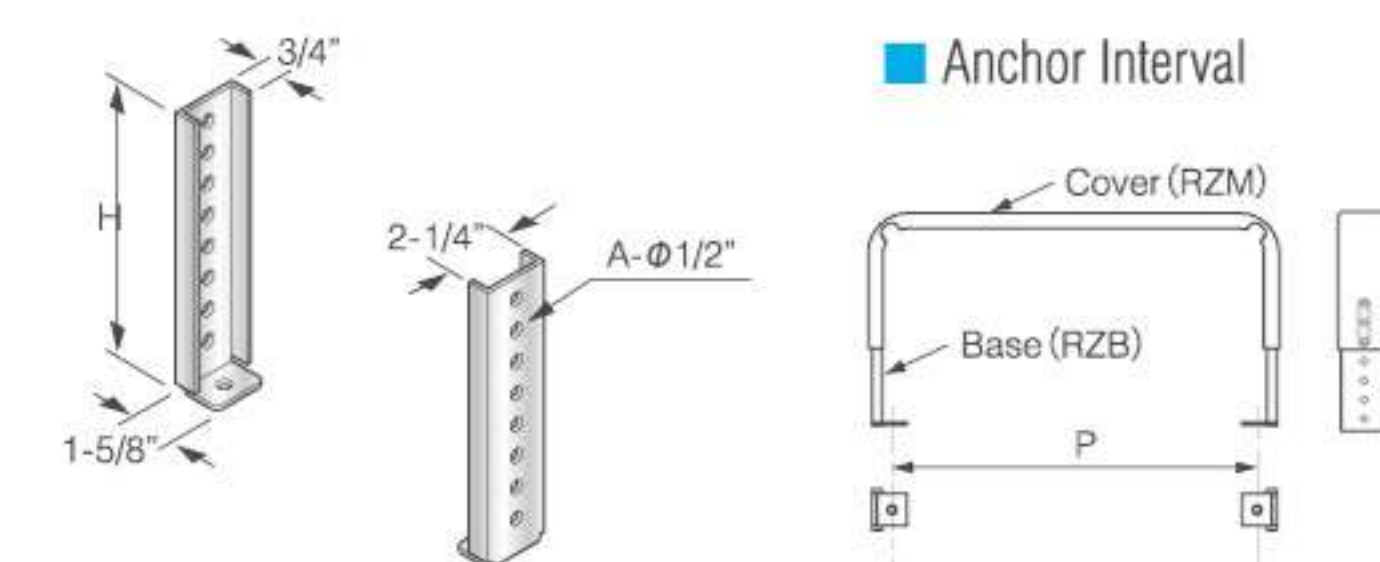
- To select the combination of bracket and riser which gives the required height, refer to the right table.
- If several combinations of bracket and riser give the desired height, the combination found in the column closest to the height will give the most practical selection.
- The combination of S Type RZB Risers and S Type RZM Brackets are only used for vertical wall mounted applications.

Height	RZM-S Type	RZM-MS Type	RZM-MM Type	RZM-M Type	RZM-L Type
37-1/2"					37-1/8" RZB-L
35-1/2"					
33-1/2"					
31-1/2"					
29-5/8"					29-5/8" RZB-L
27-5/8"					
25-5/8"		25-1/4" RZB-L			
23-5/8"	23-1/4" RZB-L				
21-3/4"	21-3/8" RZB-L	21-3/8" RZB-L			
19-3/4"					
17-3/4"		17-3/4" RZB-ML			
15-3/4"	15-3/4" RZB-ML				
13-7/8"	13-7/8" RZB-S	13-7/8" RZB-S			
11-7/8"	11-1/8" RZB-M				
9-7/8"	9-1/8" RZB-S	9-1/8" RZB-S			
7-7/8"	7-1/8" RZB-S	7-1/8" RZB-S			
6"	5-1/8" RZB-S				

***Notation**

RZB RISER for RZM BRACKET

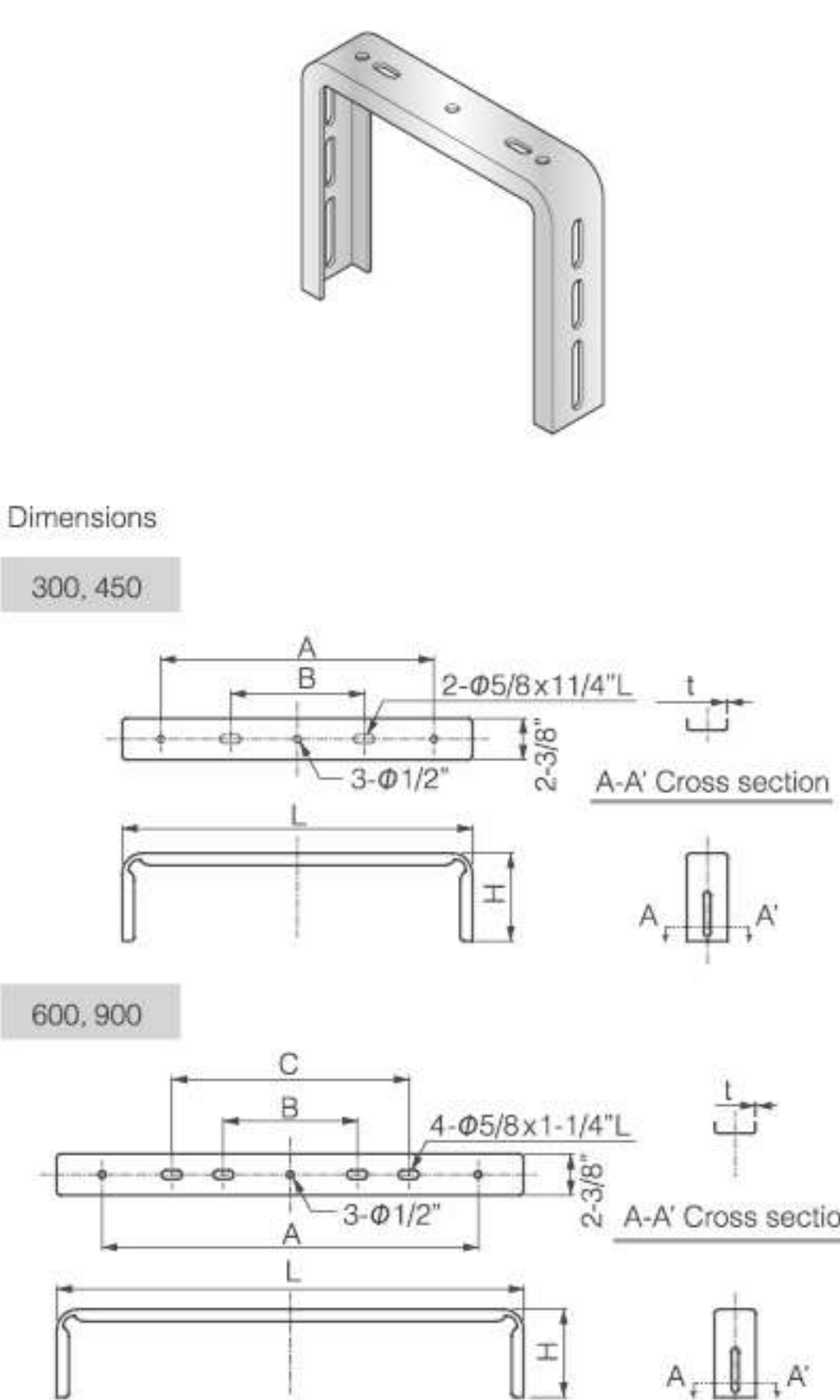
Use in combination with RZM



Type	P	Type	Code No.	Item No.	A	H	Pcs/Pkg
300	12-1/8"	S	C 73695	RZB-S-A-ZA	1/4"	4"	20set
450	18"	M	C 73705	RZB-M-A-ZA	3/8"	7-7/8"	20set
600	24-3/4"	ML	C 73815	RZB-ML-A-ZA	1/2"	12-5/8"	10set
900	36-1/2"	L	C 73715	RZB-L-A-ZA	7/8"	20-1/8"	10set

RZM BRACKET for RD DUCT

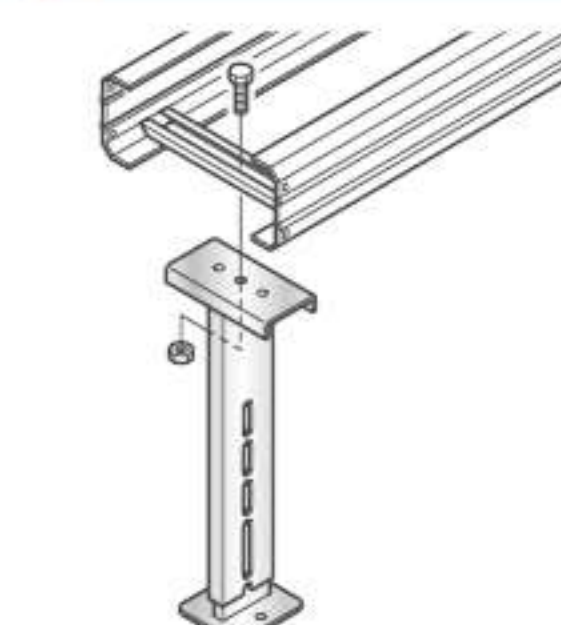
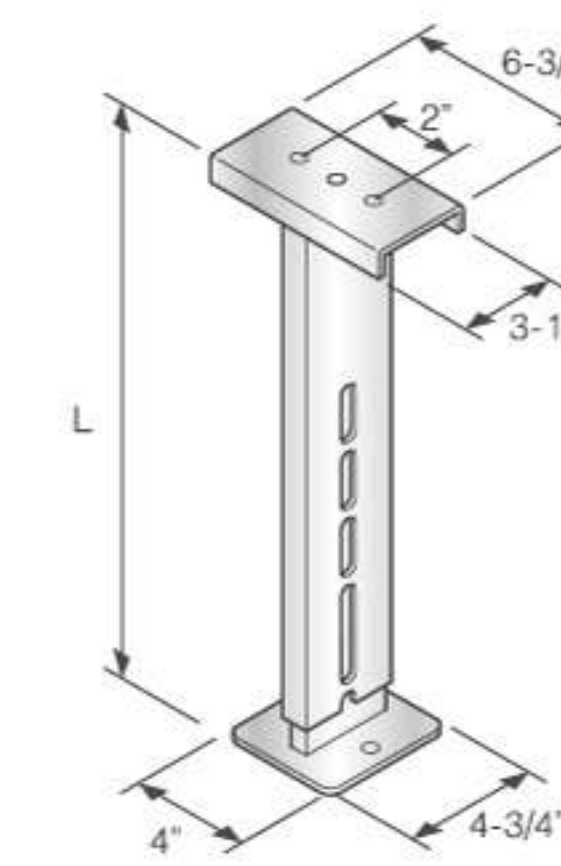
Use in combination with RZB



Type	Code No.	Item No.	A	B	C	H	L	t	Pcs/Pkg
S	C 73535	RZM-300-S-A-ZA	9-7/8"	7-3/4"	-	5-1/8"	14-1/4"	1/8"	2
	C 73545	RZM-450-S-A-ZA	15-3/4"	7-3/4"	-	5-1/8"	20-1/8"	1/8"	2
	C 73555	RZM-600-S-A-ZA	21-3/4"	7-3/4"	13-5/8"	5-1/8"	26-7/8"	1/8"	2
	C 73565	RZM-900-S-A-ZA	Special Order Only!	33-1/2"	13-5/8"	23-5/8"	5-1/8"	38-5/8"	1/8"
MS	C 73575	RZM-300-MS-A-ZA	9-7/8"	7-3/4"	-	7-1/8"	14-1/4"	1/8"	2
	C 73585	RZM-450-MS-A-ZA	15-3/4"	7-3/4"	-	7-1/8"	20-1/8"	1/8"	2
	C 73595	RZM-600-MS-A-ZA	21-3/4"	7-3/4"	13-5/8"	7-1/8"	26-7/8"	1/8"	2
	C 73605	RZM-900-MS-A-ZA	Special Order Only!	33-1/2"	13-5/8"	23-5/8"	7-1/8"	38-5/8"	1/8"
MM	C 73825	RZM-300-MM-A-ZA	9-7/8"	7-3/4"	-	10-3/4"	14-1/4"	1/8"	2
	C 73835	RZM-450-MM-A-ZA	15-3/4"	7-3/4"	-	10-3/4"	20-1/8"	1/8"	2
	C 73845	RZM-600-MM-A-ZA	21-3/4"	7-3/4"	13-5/8"	10-3/4"	26-7/8"	1/8"	2
	C 73855	RZM-900-MM-A-ZA	Special Order Only!	33-1/2"	13-5/8"	23-5/8"	10-3/4"	38-5/8"	1/8"
M	C 73615	RZM-300-M-A-ZA	9-7/8"	7-3/4"	-	13"	14-1/4"	1/8"	2
	C 73625	RZM-450-M-A-ZA	15-3/4"	7-3/4"	-	13"	20-1/8"	1/8"	2
	C 73635	RZM-600-M-A-ZA	21-3/4"	7-3/4"	13-5/8"	13"	26-7/8"	1/8"	2
	C 73645	RZM-900-M-A-ZA	Special Order Only!	33-1/2"	13-5/8"	23-5/8"	13"	38-5/8"	1/8"
L	C 73655	RZM-300-L-A-ZA	9-7/8"	7-3/4"	-	18-7/8"	14-1/4"	1/8"	2
	C 73665	RZM-450-L-A-ZA	15-3/4"	7-3/4"	-	18-7/8"	20-1/8"	1/8"	2
	C 73675	RZM-600-L-A-ZA	21-3/4"	7-3/4"	13-5/8"	18-7/8"	26-7/8"	1/8"	2
	C 73685	RZM-900-L-A-ZA	Special Order Only!	33-1/2"	13-5/8"	23-5/8"	18-7/8"	38-5/8"	1/8"

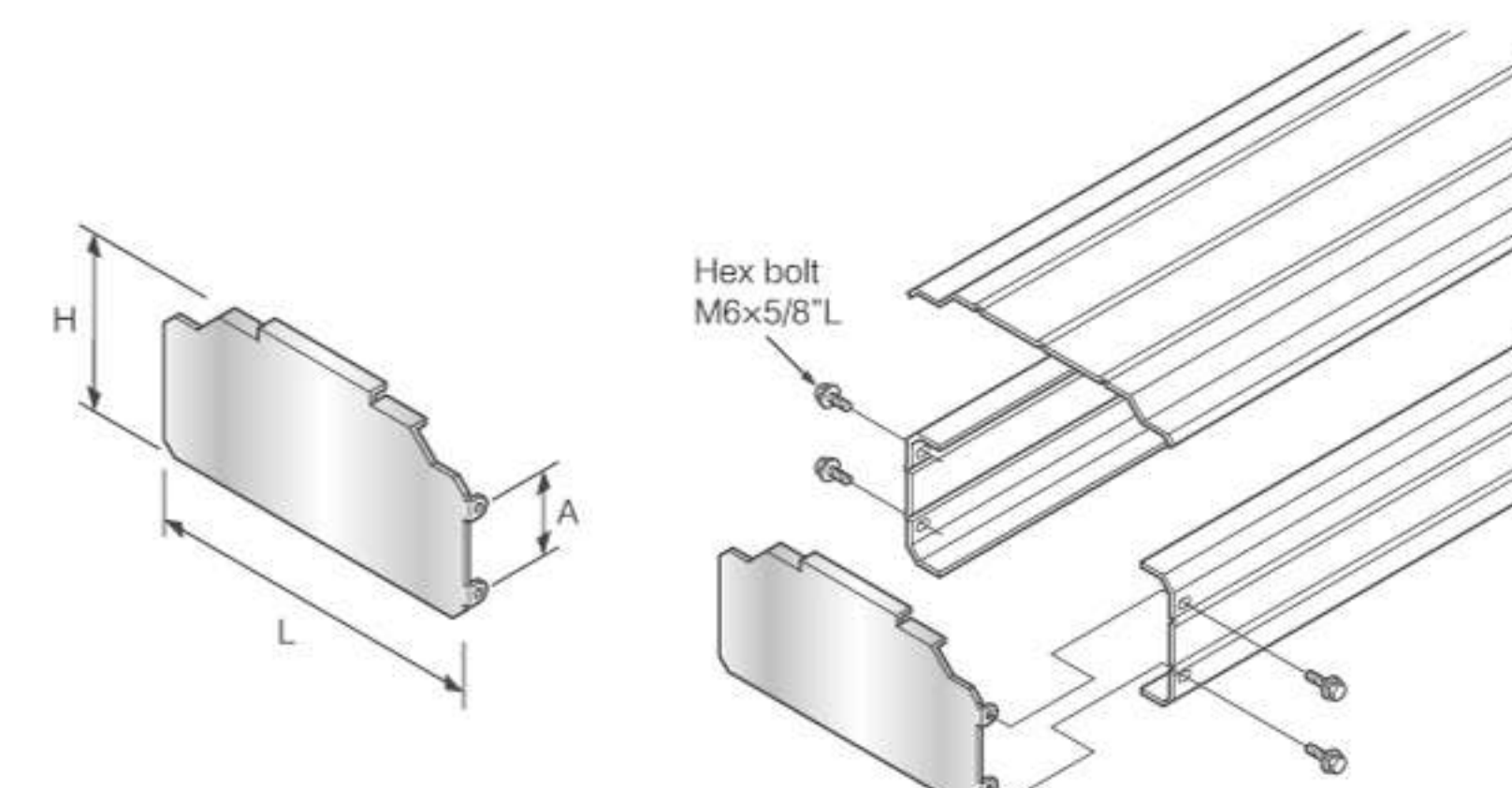
RZ-150 SINGLE BRACKET for Horizontal Installation (SIZE 150)

(Not for vertical installation)



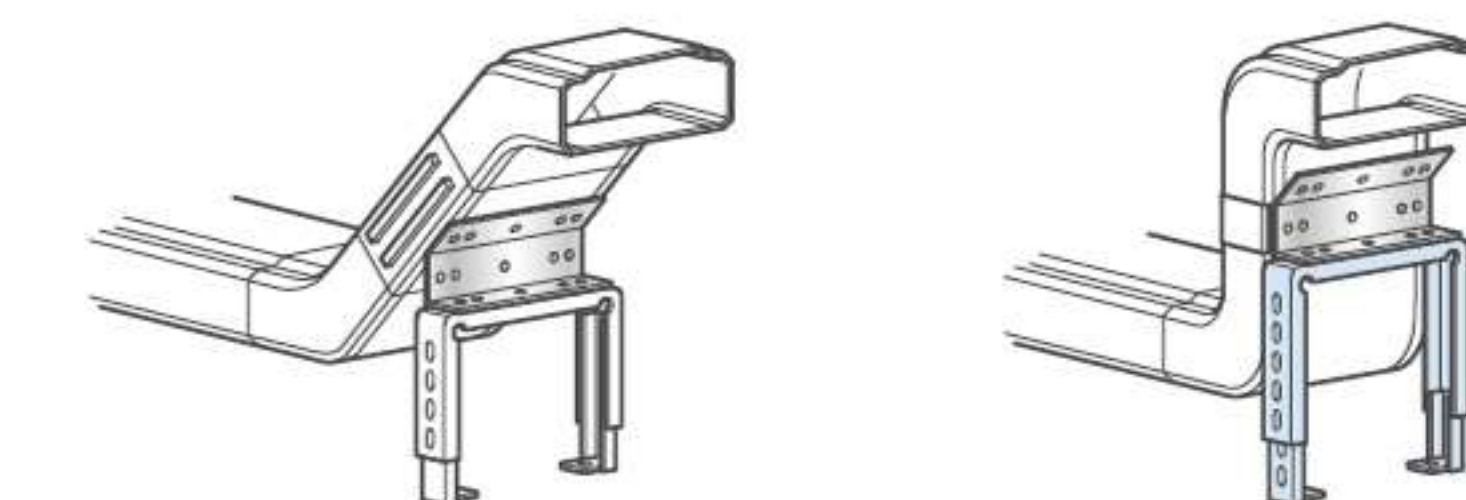
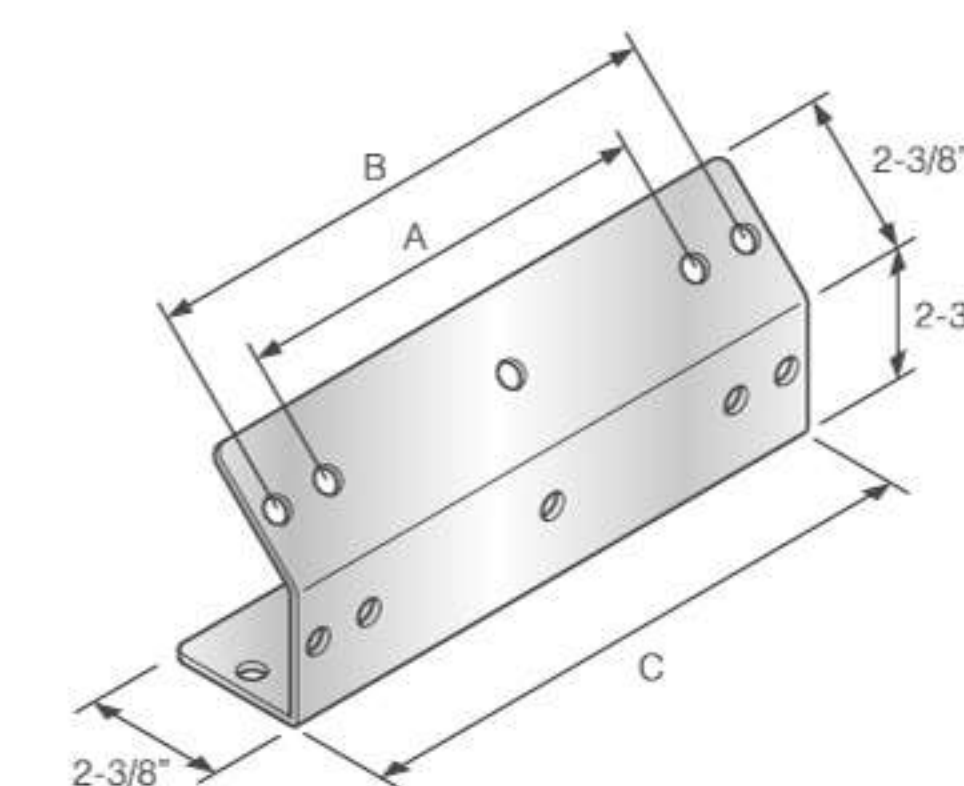
Code No.	Item No.	L	Pcs/Pkg
C 86135	RZ-150-M-ZA	11-1/8" - 19"	2
C 86175	RZ-150-L-ZA	19" - 28"	2
C 86215	RZ-150-LL-ZA	28" - 37-1/8"	2

REC END CAP



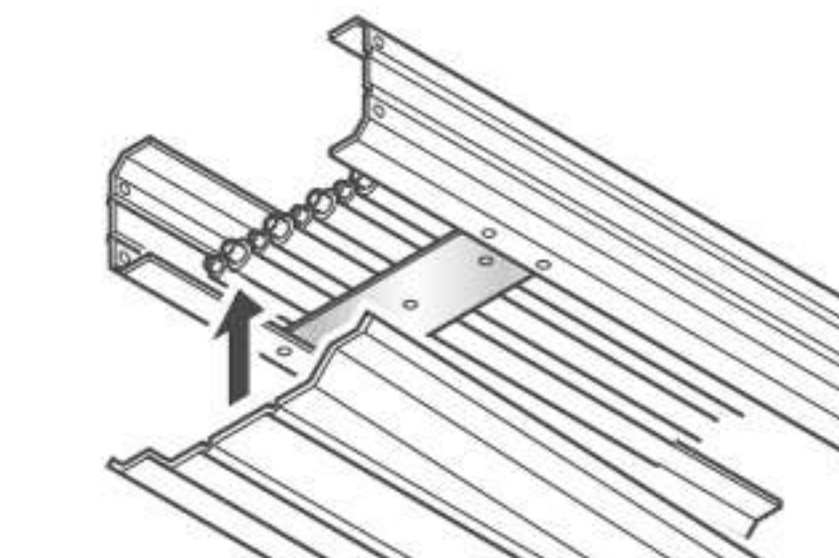
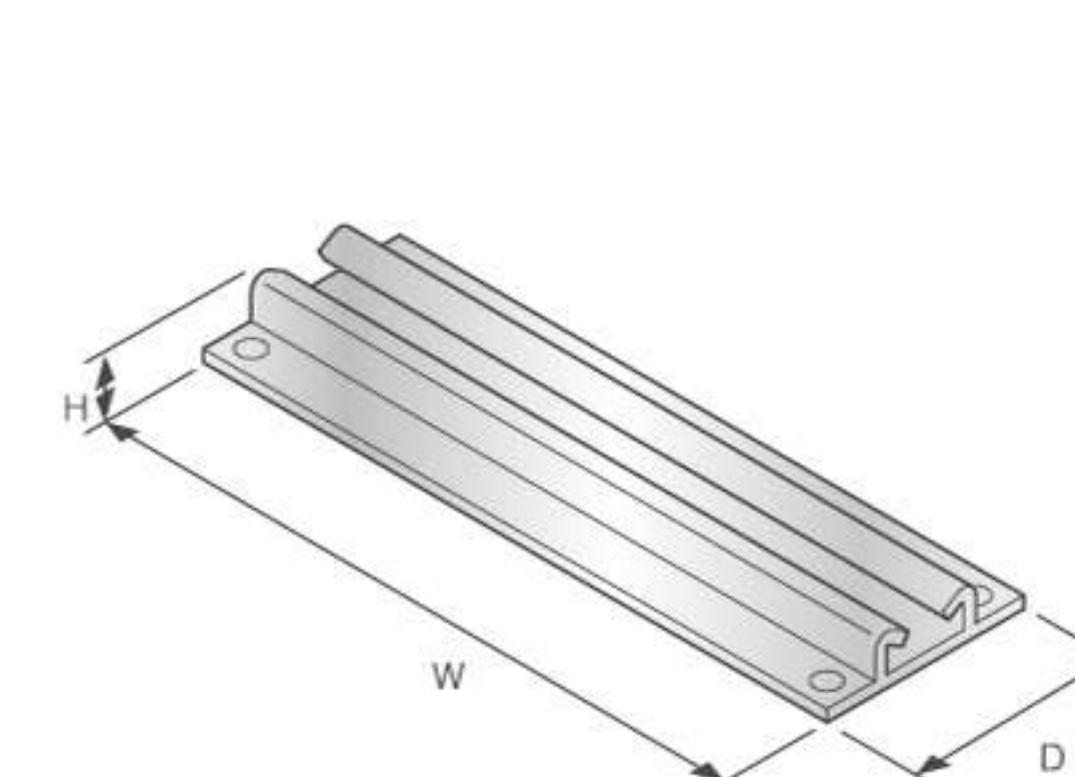
Code No.	Item No.	L	H	A	Pcs/Pkg	
C 77215	REC-150-ZA	6"	4-3/8"	2-3/8"	1	
C 85975	REC-300-ZA	11-3/4"	5"	2-3/8"	1	
C 85985	REC-450-ZA	17-5/8"	5"	2-3/8"	1	
C 85995	REC-600-ZA	23-1/2"	5"	2-3/8"	1	
C 88335	REC-900-ZA	Special Order Only!	35-3/8"	5"	2-3/8"	1
C 84645	REC-300H-ZA	11-3/4"	9-3/4"	5-3/8"	1	
C 86005	REC-450H-ZA	17-5/8"	9-3/4"	5-3/8"	1	
C 86015	REC-600H-ZA	23-1/2"	9-3/4"	5-3/8"	1	
C 88345	REC-900H-ZA	Special Order Only!	35-3/8"	9-3/4"	5-3/8"	1

RZC BRACKET ATTACHMENT PLATE for VERTICAL ELL



Code No.	Item No.	A	B	C	Pcs/Pkg	
C 86285	RZC-300-ZA	7-3/4"	9-7/8"	10-5/8"	1	
C 86295	RZC-450-ZA	7-3/4"	15-3/4"	16-1/2"	1	
C 86305	RZC-600-ZA	13-5/8"	21-5/8"	22-3/8"	1	
C 89685	RZC-900-ZA	Special Order Only!	23-5/8"	33-1/2"	35-1/2"	1

RDK LINESET SUPPORT STRUT



Code No.	Item No.	Compliant duct size	W	D	H	Pcs/Pkg
C 74865	RDK-300-ZA	300 (H)	10-1/2"	3-1/4"	5/8"	2
C 74885	RDK-450-ZA	450 (H)	16-1/2"	3-1/4"	5/8"	2
C 74845	RDK-600-ZA	600 (H)	22-3/8"	3-1/4"	5/8"	1

DRAIN HOSE ACCESSORIES



DRAIN-UP HOSE KIT FOR INDOOR AC UNITS

Thermal insulated drain hose with coupling joints for air conditioner drain up piping.

Replace multiple adhesive connections

Reduce labor

Reduce risk of water leakage



Water Leakage Check Sheet



Thermal Insulation Adhesive Tape

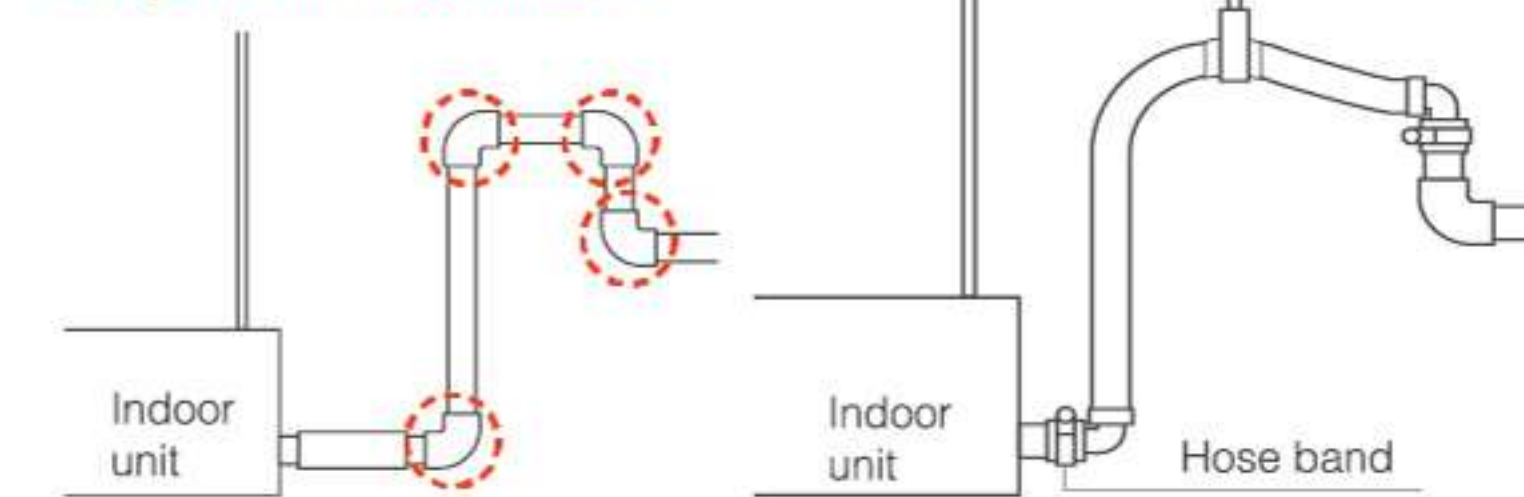


Thermal Insulation Cover

Traditional installation with PVC pipe

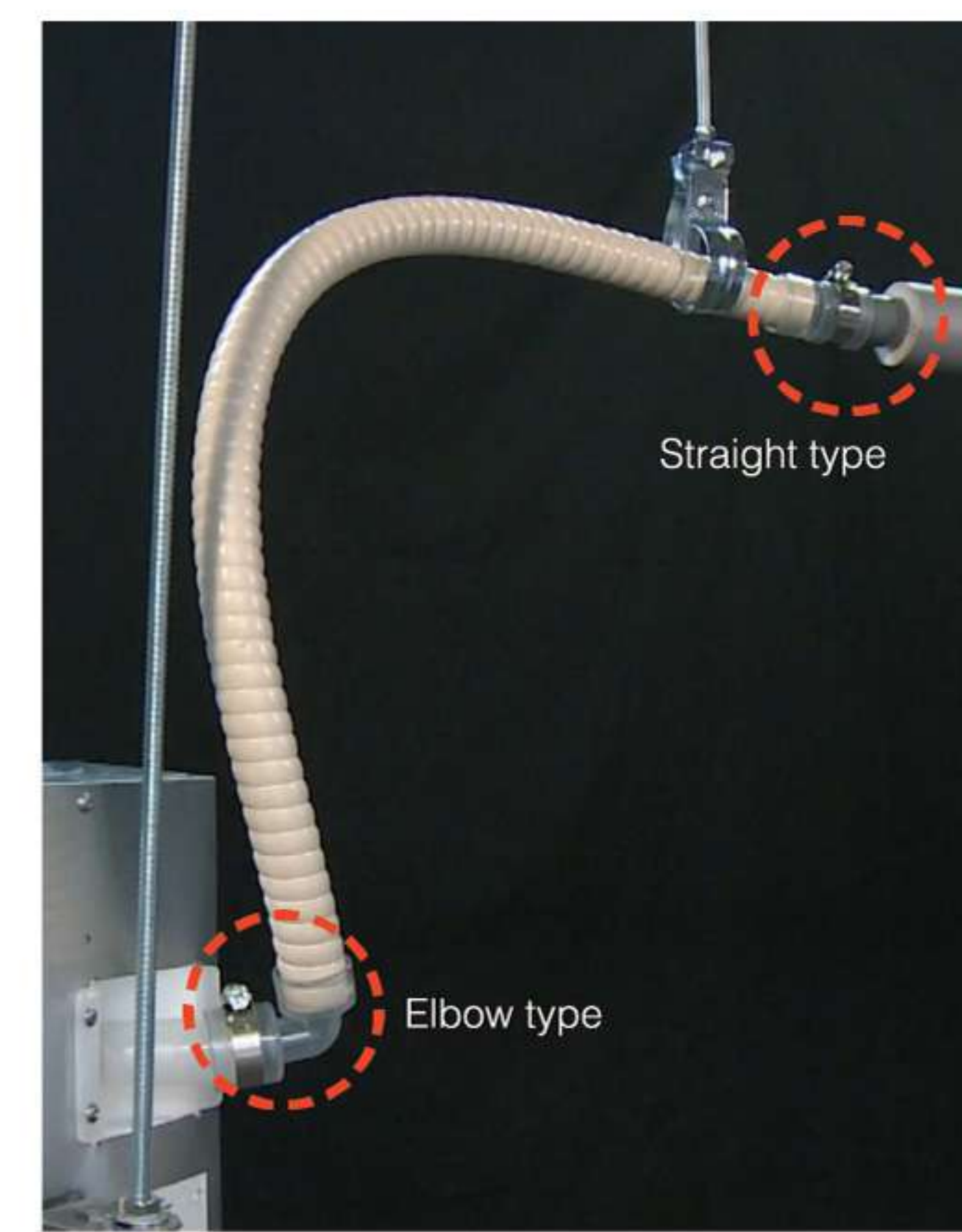
Innovative installation with DSH-UP

Increased risk of leakage from multiple adhesive connections

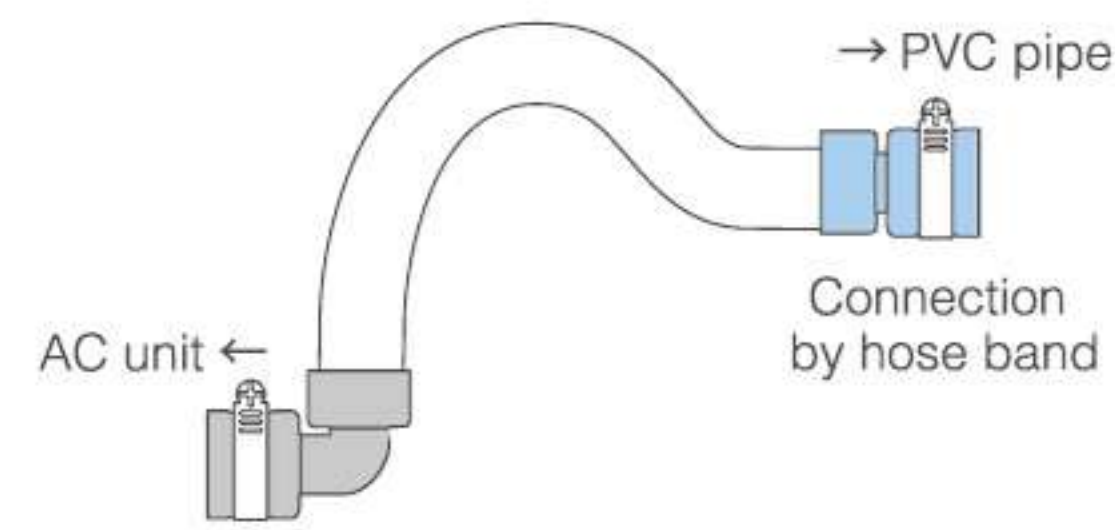


Features

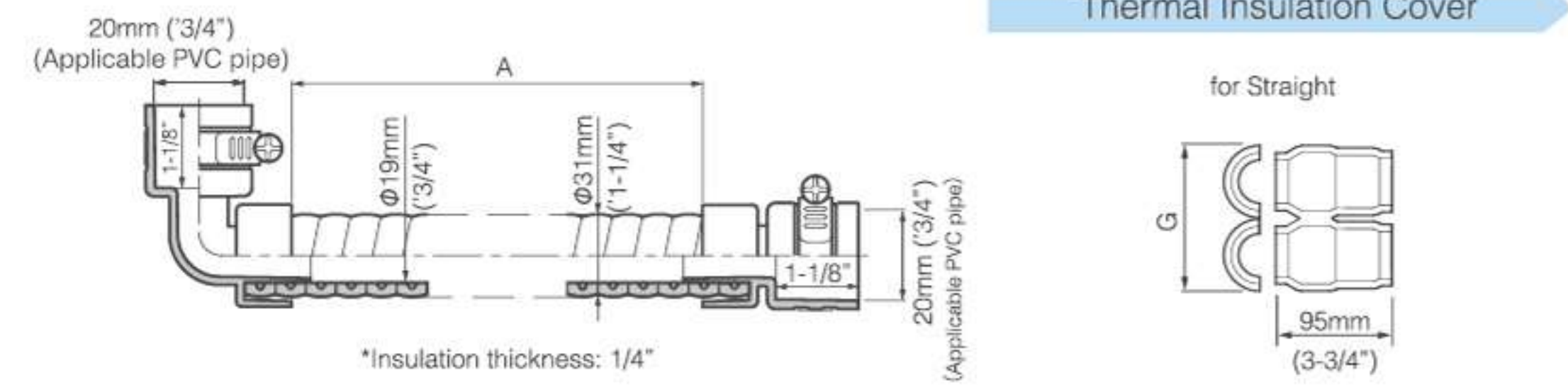
- **Pre-connected hose with fittings.**
- **No cement or adhesives needed.**
Connect fittings to PVC with just a hose band to reduce installation time and avoid the risk of leaking from cement application failures.
- **Pre-insulated hose.**
- **Exclusive insulation technology.**
Decrease on-site insulation work and reduce risks of condensation after installation.
- **Transparent fittings.**
Connections to PVC pipes are visible to insure a secure fit.
- **Water leakage check sheet.**
Easily identify leaks when they occur.



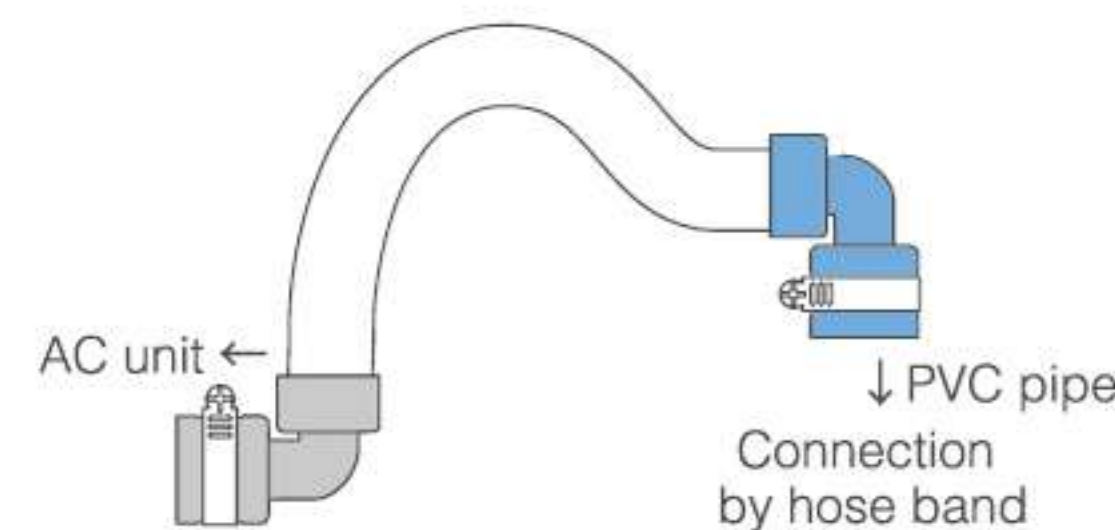
S STRAIGHT TYPE



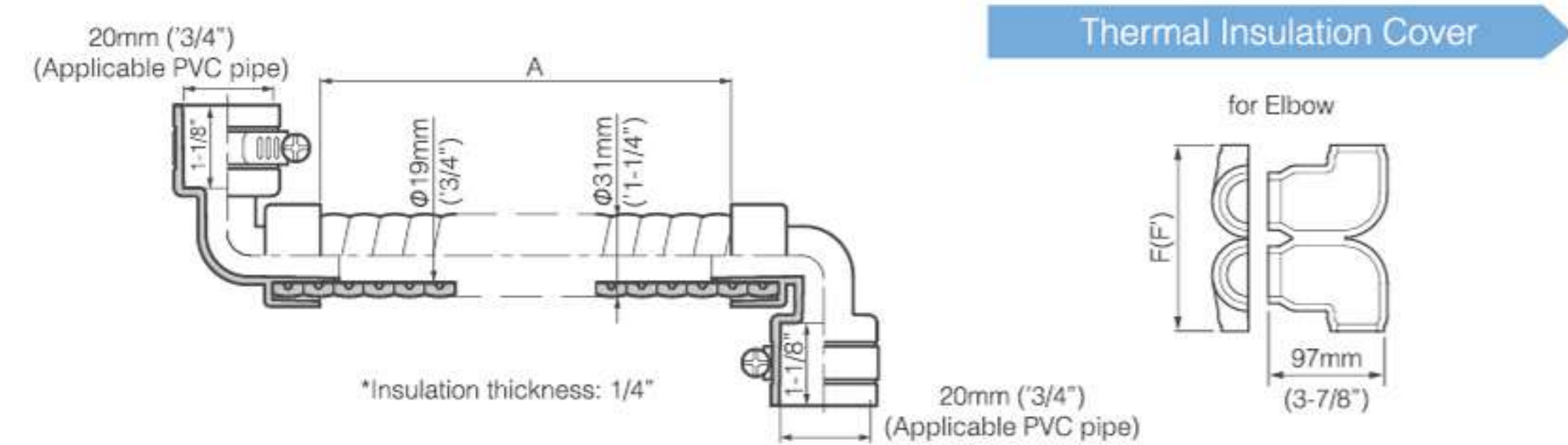
Code No.	Item No.	A	Pcs/Pkg
C 08360	DSH-UP20E20S-07	700mm (27-5/8")	10
C 08370	DSH-UP20E20S-10	1,000mm (39-3/8")	10



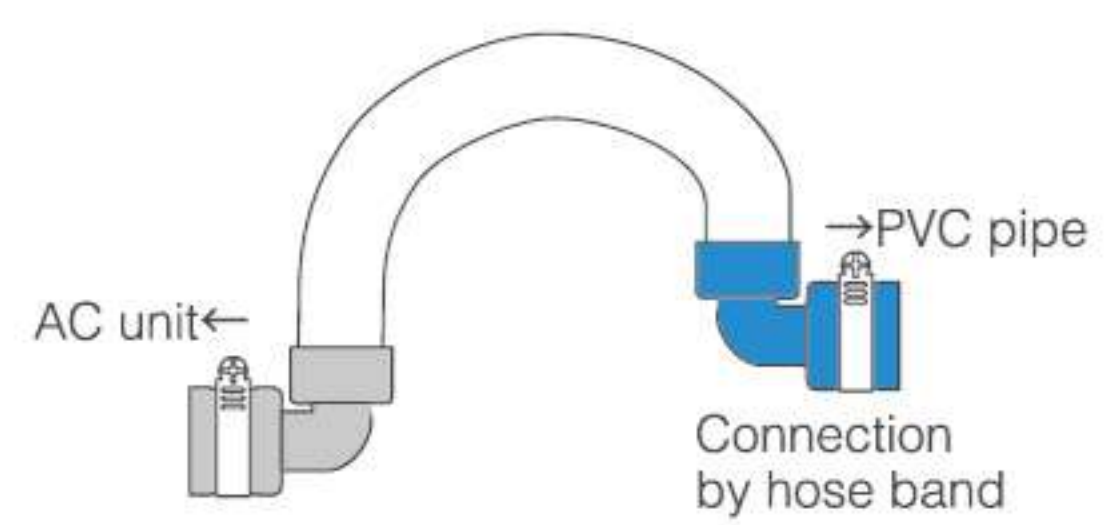
E ELBOW TYPE



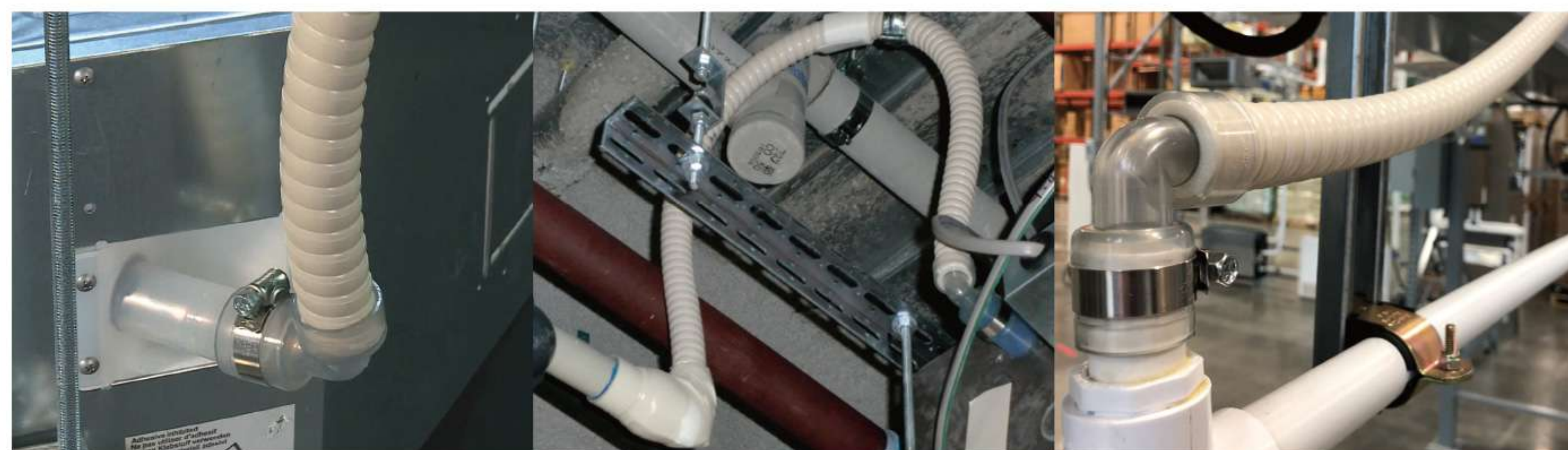
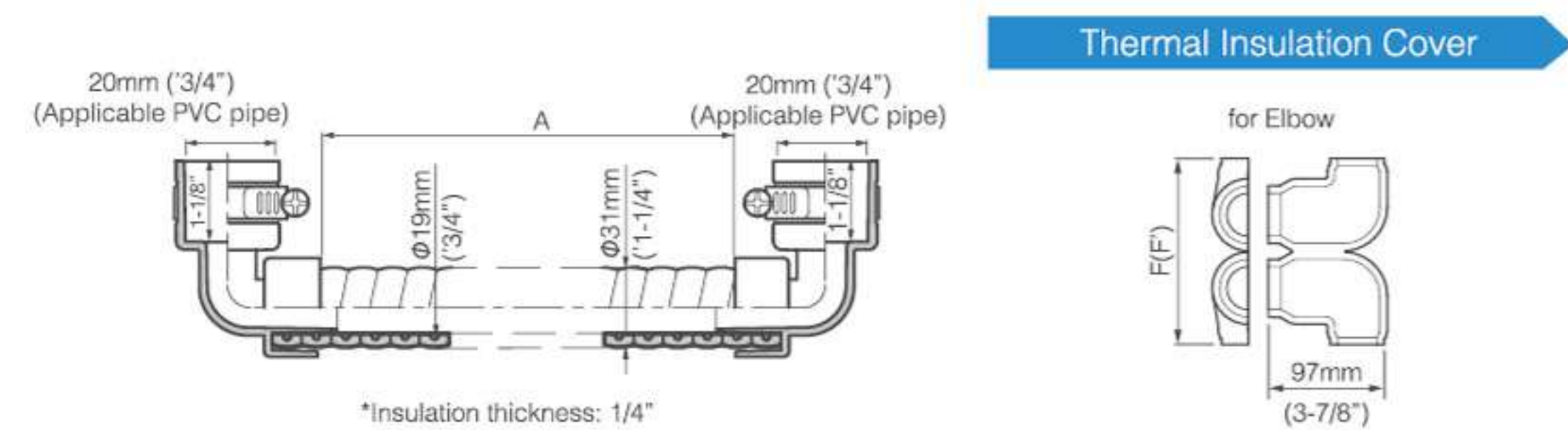
Code No.	Item No.	A	Pcs/Pkg
C 08364	DSH-UP20E20E-07	700mm (27-5/8")	10
C 08374	DSH-UP20E20E-10	1,000mm (39-3/8")	10



ER ELBOW TYPE



Code No.	Item No.	A	Pcs/Pkg
C 08367	DSH-UP20E20R-07	700mm (27-5/8")	10
C 08377	DSH-UP20E20R-10	1,000mm (39-3/8")	10



Kit Details	Material	
	Elbow & Straight S	Elbow & Elbow E / ER
Thermal insulated drain hose with coupling joint	1 pc	1 pc
Hose band	2 pcs	2 pcs
Thermal insulation cover - Straight Type	1 pc	-
Thermal insulation cover - Elbow Type	1 pc	2 pcs
Thermal insulation adhesive tape	1 pc	1 pc
Water leakage check sheet	2 pcs	2 pcs

Material	
Thermal insulated drain hose (Outer Layer)	PVC
Thermal insulated drain hose (Inner Layer)	PVC
Thermal insulated drain hose (Middle Layer)	Foamed PE
Coupling joint	PVC
Hose band	SUS
Thermal insulation cover	Foamed PE
Thermal insulation adhesive tape (W2" x L6")	Foamed PE

Caution For further information, refer to DSH-UP Installation Manual.

INSULATED DRAIN HOSE



Prevents Sweating
Pliable and Easy to Work

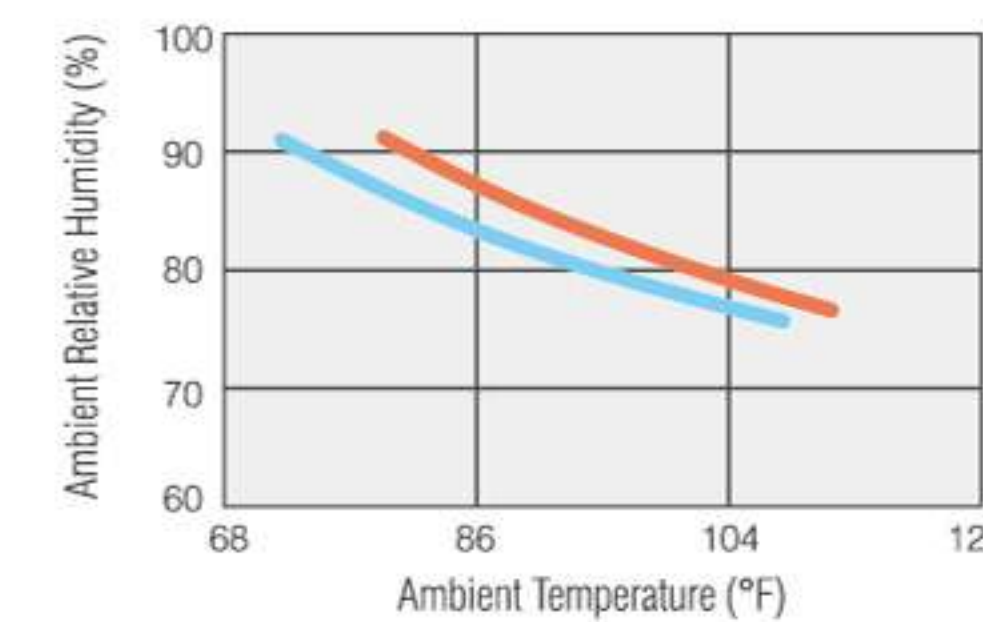
LONG
SIMPLE
SOFT

- INSULATED TO PREVENT SWEATING**
Prevents sweating under extreme conditions of 59°F condensate temperature, 86°F ambient temperature and 70% RH.
- EASY TO WORK WITH**
Cut easily by knife or scissors.
- SMOOTH BORE INTERIOR**
Reduces resistance and maximizes condensate flow.
- SOFT AND PLIABLE**
Independent layers plus spiral insulation layer make bending easy and facilitate installation in tight spaces.

Soft but strong enough to do the job.
INSULATED DRAIN HOSE DSH

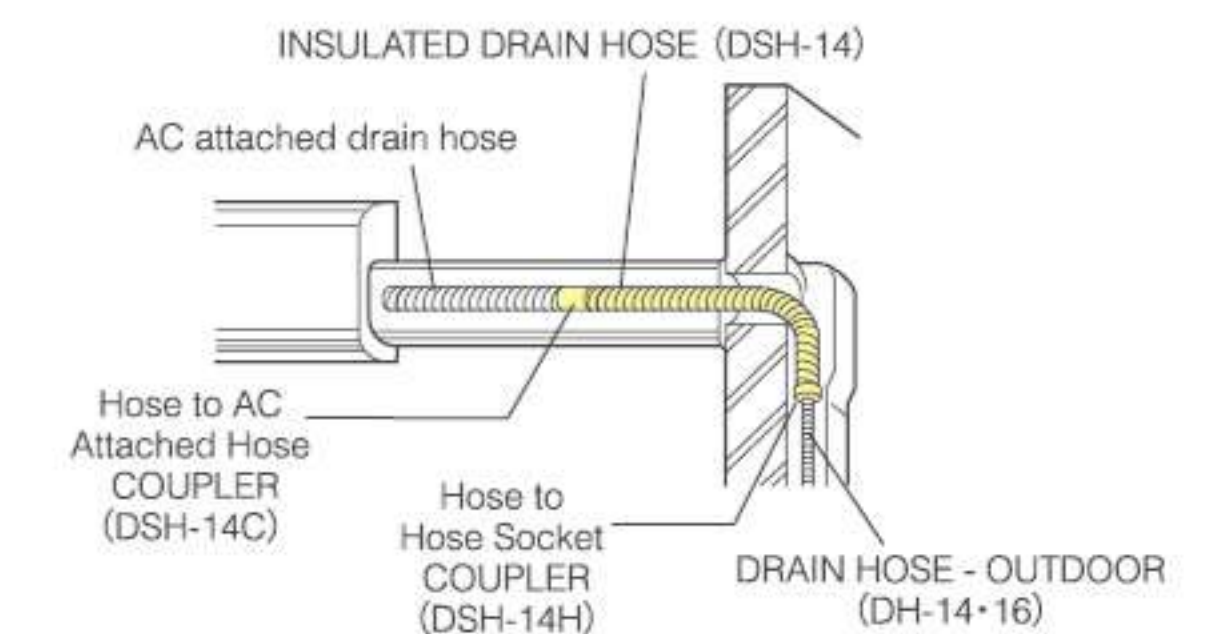
Superior performance in sweat prevention

DSH-14/20N
— Pipe internal temperature 59°F
— Pipe internal temperature 50°F



Example of Typical application

Indoor AC Installation - Size 14



DSH INSULATED DRAIN HOSE



- Features**
- Soft and pliable for easy installation.
 - Easily cut to length.
 - Long enough for one or more installation.
 - Ideal for concealed installation to prevent dew condensation.

Code No.	Item No.	Hose I.D.	Hose O.D.	Length(ft)	Insulation thickness	Pcs/Pkg
C 08310	DSH-14	5/8"	1-1/8"	65'	1/4"	4
C 08960	DSH-20N	3/4"	1-1/4"	65'	1/4"	1

DSH-S INSULATED DRAIN HOSE - HOSE & COUPLER KIT



- Features**
- Complete kit provides best value.
 - Unnecessary to purchase individual boxes for couplers.

Code No.	Item No.	Contents	Pcs/Pkg
C 08350	DSH-14S	INSULATED DRAIN HOSE 65' Hose to A/C Attached Hose COUPLER Hose to Hose Socket COUPLER	DSH-14 x 1pc DSH-14C x 15 pcs DSH-14H x 15 pcs

DSH-14V Hose to Pipe ADAPTOR

For PVC pipe



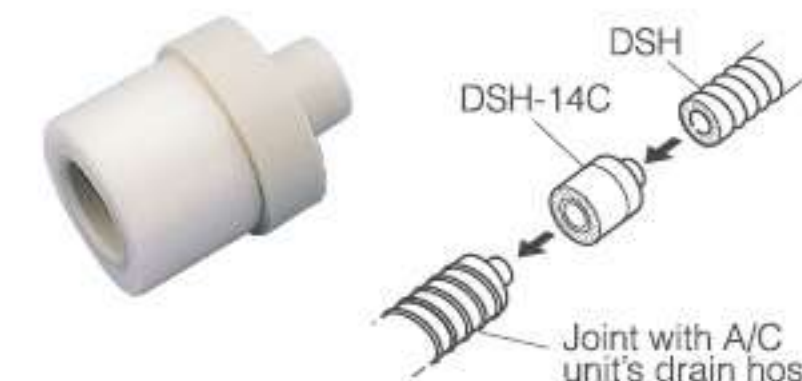
Application

- Joins insulated drain hose and PVC pipe.
- Adaptor size (inner diameter ϕ) is following PVC pipe fitting size (inner diameter ϕ).
- Use only with JIS standard PVC pipe.

Code No.	Item No.	Compliant drain hose	Compliant PVC pipe	Pcs/Pkg
C 08570	DSH-14-13V	DSH-14	1/2"	100
C 08580	DSH-14-16V		5/8"	100
C 08590	DSH-14-20V		3/4"	100

DSH-14C Hose to A/C attached hose COUPLER

For A/C unit's drain hose joint



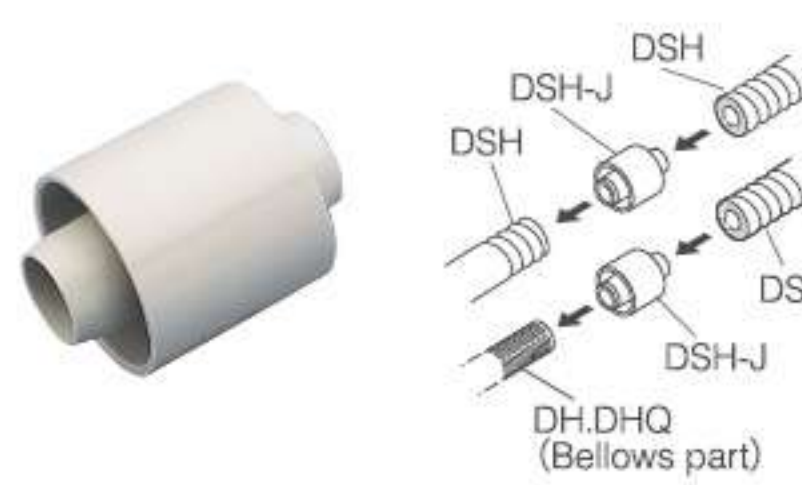
Application

- To joint with A/C unit's drain hose.
- Need to confirm size of A/C unit's drain hose.

Code No.	Item No.	Compliant drain hose	Pcs/Pkg
C 08200	DSH-14C	DSH-14	100

DSH-14J Hose to Hose COUPLER

For drain hose extension



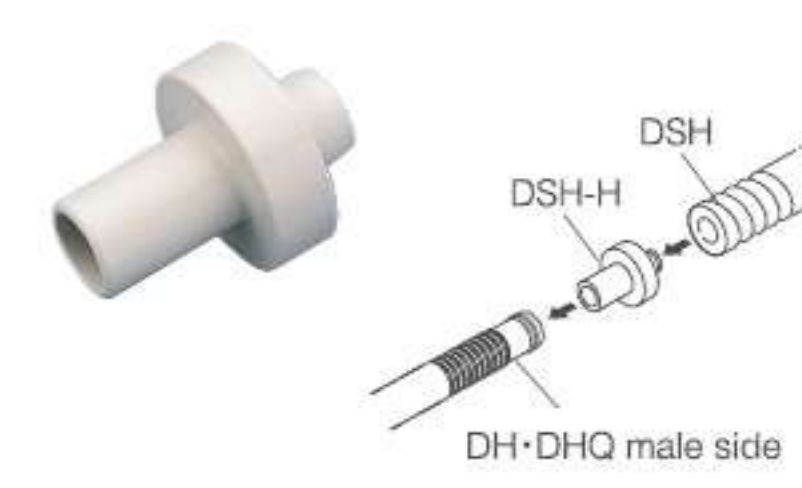
Application

- Joins drain hose and drain hose/insulated drain hose.
- To extend insulated drain hose.

Code No.	Item No.	Compliant drain hose	Pcs/Pkg
C 08220	DSH-14J	DSH-14	100

DSH-14H Hose to Hose Socket COUPLER

For drain hose (DH/DHQ)



Application

- To fit drain hose (DH/DHQ) with male side.

Code No.	Item No.	Compliant drain hose	Pcs/Pkg
C 08240	DSH-14H	DSH-14	100

Specifications

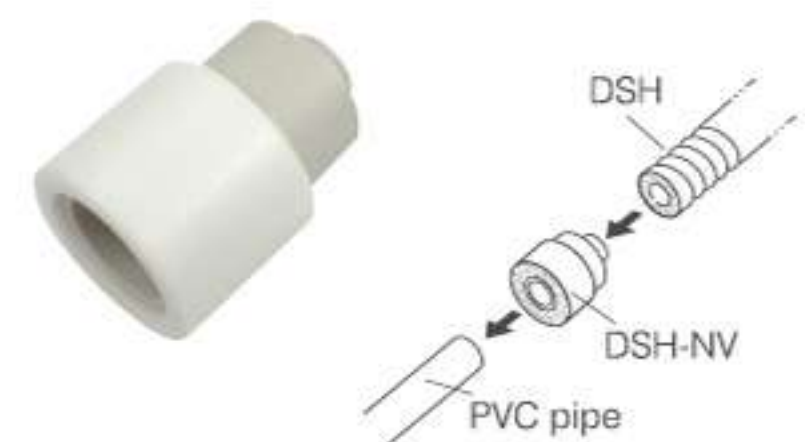
Material	Insulated drain hoses and accessories	PVC
	Insulation	PE

Caution

- DSH Series must be used at indoor.
- Cut drain hose in right angle, and completely remove any dust, oil, and trash.
- Use cement/glue for PVC pipe use and insert drain hose/pipe fully into accessory fitting to avoid any problems such as water leakage.
- Do not bend drain hose by a radius of less than three times of outer diameter.
- Do not slack drain hose when installing (Need slope for water flow).
- Use drain hose accessories exclusively with Inaba Denko drain hoses. Use of these products in combination with any other brand will invalidate warranty.
- Do not use cement/glue for PVC pipe connection between drain hose (DH/DHQ) & coupler (DSH-14H/DSH-14J). Insert drain hoses, accessory fittings fully and secure with tape.

DSH-20NV Hose to Pipe ADAPTOR

For PVC pipe



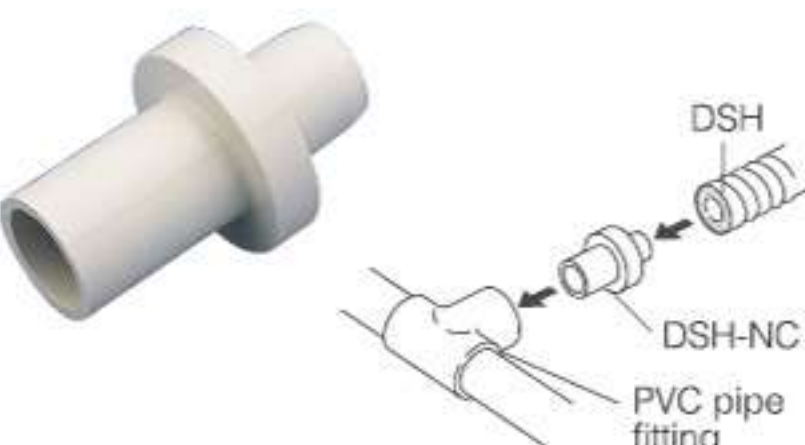
Application

- Joins insulated drain hose and PVC pipe.
- Adaptor size (inner diameter ϕ) is following PVC pipe fitting size (inner diameter ϕ).
- Use only with JIS standard PVC pipe.

Code No.	Item No.	Compliant drain hose	Compliant PVC pipe	Pcs/Pkg
C 08920	DSH-20NV	DSH-20N	3/4"	50

DSH-20NC Hose To Pipe fitting ADAPTOR

For PVC pipe fitting



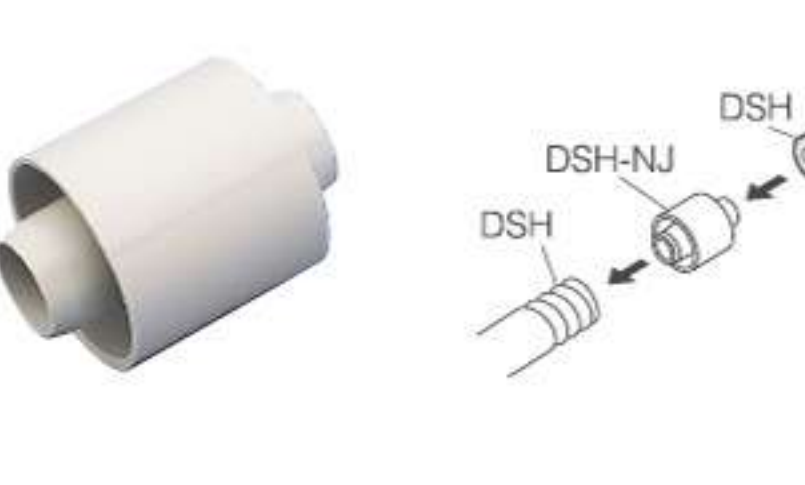
Application

- Joins insulated drain hose and PVC pipe.
- Adaptor size (inner diameter ϕ) is following PVC pipe fitting size (outer diameter ϕ).
- Use only with JIS standard PVC pipe.

Code No.	Item No.	Compliant drain hose	Compliant PVC pipe	Pcs/Pkg
C 08900	DSH-20NC	DSH-20N	3/4"	50

DSH-20NJ Hose to Hose COUPLER

For drain hose extension



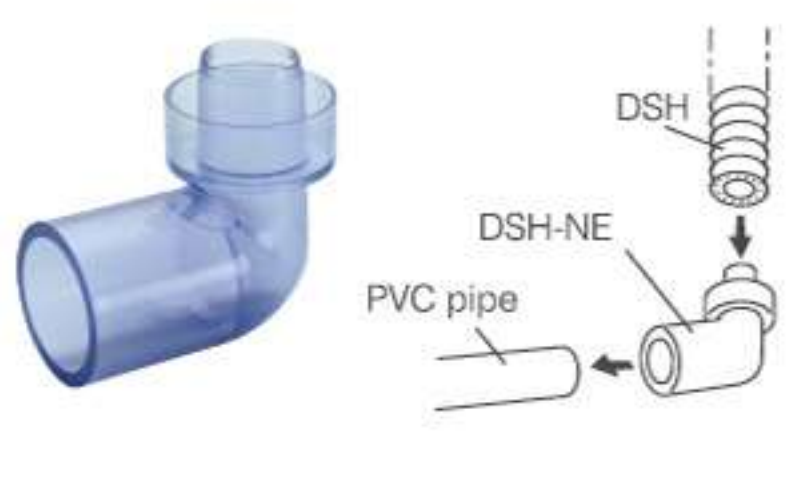
Application

- Joins two insulated drain hoses.
- To extend insulated drain hose.

Code No.	Item No.	Compliant drain hose	Pcs/Pkg
C 08940	DSH-20NJ	DSH-20N	50

DSH-20NE Hose to Pipe ADAPTOR ELL

For PVC pipe



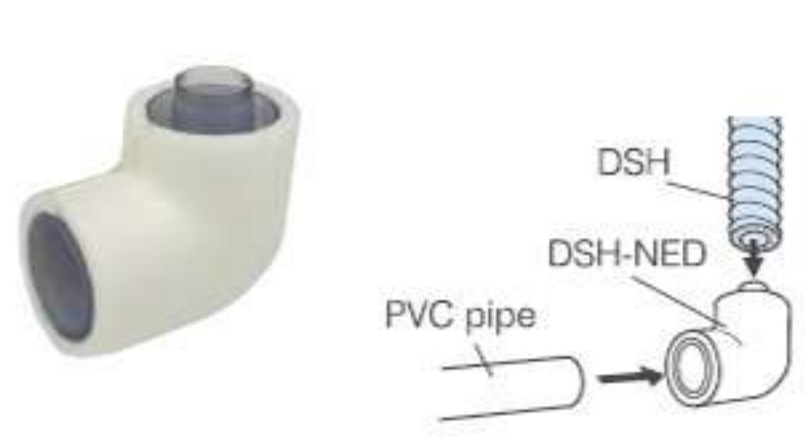
Application

- Joins insulated drain hose and PVC pipe.
- Adaptor size (inner diameter ϕ) is following PVC pipe fitting size (inner diameter ϕ).
- Use only with JIS standard PVC pipe.

Code No.	Item No.	Compliant drain hose	Compliant PVC pipe	Pcs/Pkg
C 08880	DSH-20NE	DSH-20N	3/4"	50

DSH-20NED Hose to Pipe ADAPTOR-INSULATED ELL

For PVC pipe



Application

- Joins insulated drain hose and PVC pipe.
- Adaptor size (inner diameter ϕ) is following PVC pipe fitting size (inner diameter ϕ).
- Use only with JIS standard PVC pipe.

Code No.	Item No.	Compliant drain hose	Compliant PVC pipe	Pcs/Pkg
C 08820	DSH-20NED	DSH-20N	3/4"	50

DRAIN HOSE

DHQ DRAIN HOSE - UV RESISTANT



Portable carton with removable EASY-FEED flap



Double layered for outstanding durability

Accelerated Weather Resistance Test (Sunshine Weather Meter)



Specifications

- Material ... LLDPE
- Cuff spacing ... 19-3/4"
- Color ... Ivory

Features

- Double the UV resistance of DH series. Accelerated weather resistance test shows no damage after 2,000 hours.
- Double layer construction increases durability.
- High quality PE (LLDPE) material gives excellent corrosion resistance.
- DHQ hose accepts all INABA DENKO drain hose fittings.

Caution

- In extreme environmental conditions, surface will require extra protection.
- Do not install with bend radius of less than 3-1/4", overbending may cause stress breakage.
- Over extended use period may cause black inner lining to surface, but it will not affect performance of hose.
- During installation, check for sufficient slope and do not permit hose to sag in horizontal runs.

Code No.	Item No.	Size			Pcs/Pkg
		Hose I.D.	Length(ft)	Hose O.D.	
C 08280	DHQ-14	1/2"	164'	3/4"	8
C 08260	DHQ-16	5/8"	164'	7/8"	6

DH DRAIN HOSE - STANDARD

"Easy-feed" & portable package



Specifications

- Material ... PE
- Color ... Ivory
- Cuff diameter accepts both 5/8" and 3/4" sizes.
- Cuff spacing ... 19-3/4"

Caution

- Protect from weather by taping or enclosing in SLIMDUCT.
- Do not use bend radius of less than 3-1/4", overbending may cause stress breakage.
- During installation, check for sufficient slope and do not permit hose to sag in horizontal runs.

Dimensions	Socket O.D.	Socket I.D.
DH-14	3/4"	1/2"
DH-16	5/8"	3/4"

Code No.	Item No.	Size			Pcs/Pkg
		Hose I.D.	Length(ft)	Hose O.D.	
C 08280	DH-14	1/2"	164'	3/4"	8
C 08260	DH-16	5/8"	164'	7/8"	6

DY VENTED DRAIN WYE

Multiple uses of the size 14 & 16

LONG TYPE newly lined-up



Application

- Joins 2 drain hoses.

Specifications

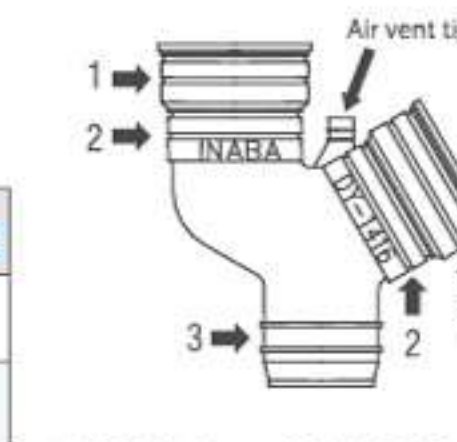
- Material ... PE

Features

- Integral air vent promotes drainage flow.

Code No.	Item No.	Compliant drain hose	Pcs/Pkg
C 08121	DY-1416	DH-14, DHQ-14	100
C 08122	DY-1416L	DH-16, DHQ-16	100

- Insert drain hose fully into socket and secure with tape.
- Do not use indoors or concealed applications.
- Protect from weather by taping or enclosing in SLIMDUCT.

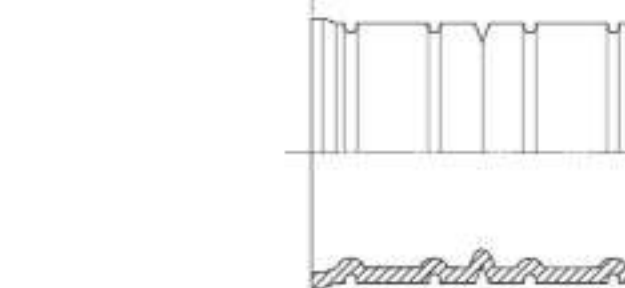


- Fit in bellows of DH-16/DHQ-16
- Fit in bellows of DH-14/DHQ-14
- Fit in female part of DH-14/16 and DHQ-14/16

DHJ DRAIN HOSE COUPLER



Dimensions



Application

- Connects cut lengths of drain hose.

Specifications

- Material ... PE
- Color ... Ivory

Caution

- Protect from weather by taping or enclosing in SLIMDUCT.

Code No.	Item No.	Compliant drain hose	O.D.	Length	Pcs/Pkg
C 08860	DHJ-14	DH-14, DHQ-14	7/8"	1-1/8"	100
C 08870	DHJ-16	DH-16, DHQ-16	1"	1-1/8"	100

NDH DRAIN HOSE ADAPTOR



Body (NDH)

Features

- NDH easily connects drain hose to PVC pipe fittings.
- Use for size 3/4".

Specifications

- Material ... PVC
- Color ... Ivory

Caution

- Use only with drain hose connection fittings.
- Use only with JIS standard PVC pipe.

Code No.	Item No.	Contents	Compliant drain hose	Pcs/Pkg
C 84100	NDH-14S	NDH-14 x 1pc, NDAx1	DH-14, DHQ-14	100
C 84200	NDH-16S	NDH-16 x 1pc, NDAx1	DH-16, DHQ-16	100

Compliant PVC pipe coupler For 3/4"

DS SADDLE



- Features**
- Attractive, compact, quick fitting.
 - Weather resistant.
 - Ivory color matches DRAIN HOSE.
 - Appearance matches SLIMDUCT SD.
- Specifications**
- Material ... PP
 - Color ... Ivory

Code No.	Item No.	Compliant drain hose	A	B	C	D	E	Pcs/Pkg
C 08142	DS-14	DH-14, DHQ-14	1-1/8"	3/4"	1-5/8"	1"	3/4"	500
C 08152	DS-16	DH-16, DHQ-16	1-1/4"	7/8"	1-3/4"	1"	7/8"	500

DC BUG STOPPER



- Application**
- Prevents insects from entering DRAIN HOSE.
- Clips easily onto O.D. of DRAIN HOSE.
- Fits both 1/2" & 5/8" hose.
- Features**
- Prevents insects from entering DRAIN HOSE.
 - Clips easily onto O.D. of DRAIN HOSE.
 - Fits both 1/2" & 5/8" hose.
- Specifications**
- Material ... PP
 - Color ... Ivory

Code No.	Item No.	Compliant drain hose	Pcs/Pkg
C 08050	DC-1416	DH-14, DHQ-14 DH-16, DHQ-16	50sets (2 pcs/set)

DL-H DRAIN CHANNEL ADAPTOR



- Specifications**
- Material ... PVC
 - Color ... Gray
 - Temperature Range ... -4°F - 140°F
- Features**
- Clips end of DRAIN HOSE into DRAIN CHANNEL without cement/glue.

Code No.	Item No.	Compliant pipe	A	B	H	Pcs/Pkg
C 23421	DL-H13	DH-14, DHQ-14 DH-16, DHQ-16	1-1/2"	1-1/2"	2"	100
C 23431	DL-H20	PVC pipe 3/4"	2"	1-1/2"	2-5/8"	100

Use exclusively with INABA DENKO Drain Hose.

DHB MINI INLINE TRAP



- Application**
- In an airtight home, pressure difference between indoors and outdoors may cause air backflow and result in noise. DHB Trap promotes condensate flow thus preventing noise and deters insects from entering DRAIN HOSE.
- Features**
- Transparent body permits easy inspection.
 - Weather resistant plastic requires no protection.
 - Easy for maintenance work.
 - Accepts DHQ 14 & DHQ 16 without adaptor.
- Caution**
- This product does not produce a 100% seal. Under extremely high negative pressure conditions inside the building, some outside air may be admitted.
 - Use tape to connect DHB to DRAIN HOSE.
- Specifications**
- Material ... Acrylic resin
 - Color ... Transparent

Code No.	Item No.	Compliant drain hose	Pcs/Pkg
C 08110	DHB-1416	DHQ-14, DHQ-16	50

DL DRAIN CHANNEL

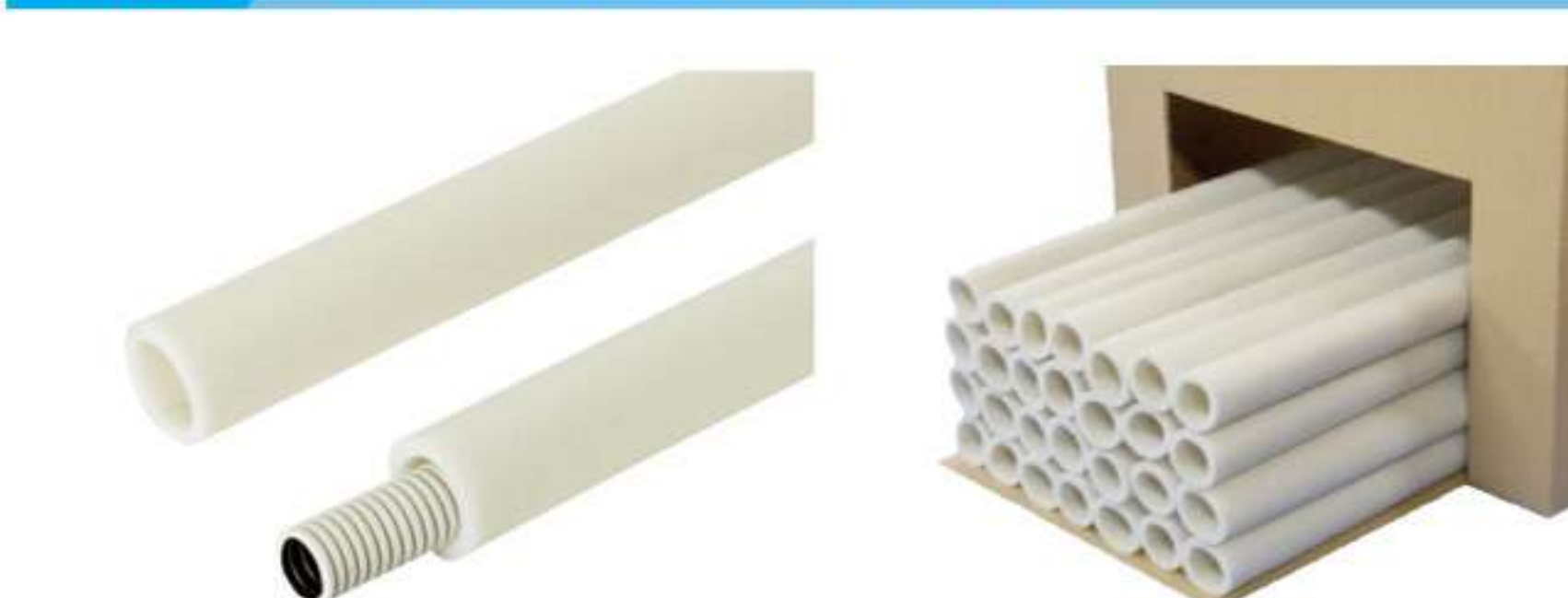


- Features**
- Eliminates wet floors and prevents formation of dirt accumulations by leading condensate directly to drainage point.
 - Gray color easily blends in with concrete flooring material.
 - Easy to cut by knife or scissors.
- Specifications**
- Material ... PVC
 - Color ... Gray
 - Temperature Range ... -4°F - 140°F

* Requires cement/glue to stick permanently onto floor.
* Use in combination with DRAIN CHANNEL ADAPTOR (DL-H).

Code No.	Item No.	Length(L)(ft)	Width(W)	Height(H)	Pcs/Pkg
C 23411	DL-25	82'	2-1/4"	1/4"	1

PMD INSULATION for Drain Hose



- Application**
- Insulation material for Drain Hose.
- Specifications**
- Material ... Polyethylene foam (conforms to JIS A9511 A-PE-C-2)
- Caution**
- Insert Drain Hose before installation.
 - Fasten the connection part by such as tape to the drain hose affiliated with AC unit.

Code No.	Item No.	Inside Diameter	Insulation Thickness	Length	Pcs/Pkg
C 16901	PMD	1"	3/16"	79-3/4"	100

CONDENSER RISER & BRACKET

CONDENSER RISER

Versatile mounting block for pipes, cables or condensers.

Eco-Friendly
-uses recycled materials



CR-W
3/8 Rail Type

Portable shape with handle

Stable with WEIGHT (Concrete) inside!

Eco-Concrete



SLOPE ON TOP SURFACE will not store water in gap!

Recycled Resin



With slip-preventive RUBBER SHEET, usable on the water-proof coated floor!

Recycled Rubber

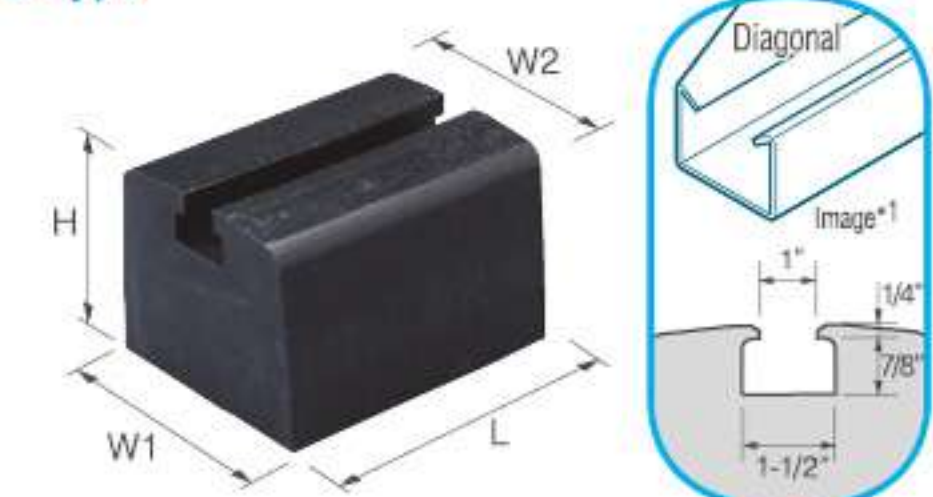


*1 ... Except 3/8 Rail Type and Ancor-Base Type

CR RECYCROCK

Multiple Use Support System

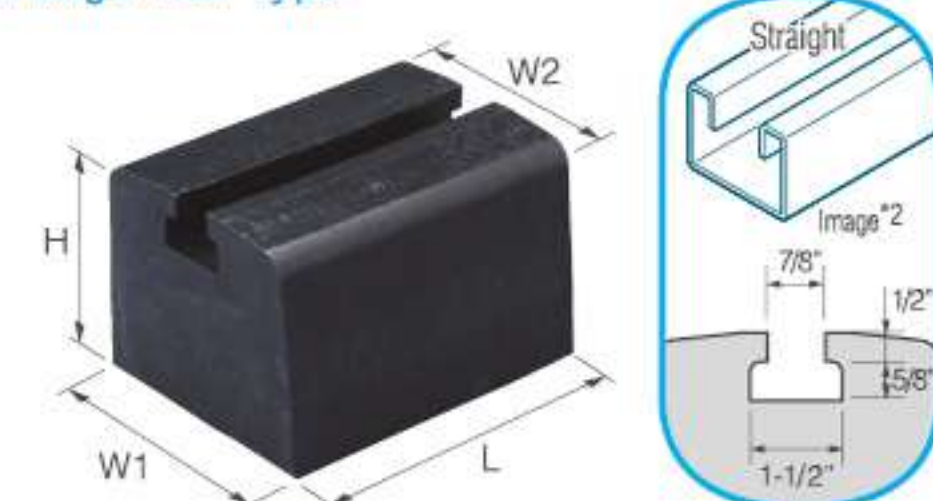
D Type



With slip-preventive rubber sheet

*1 ... Metal rail is not attached.

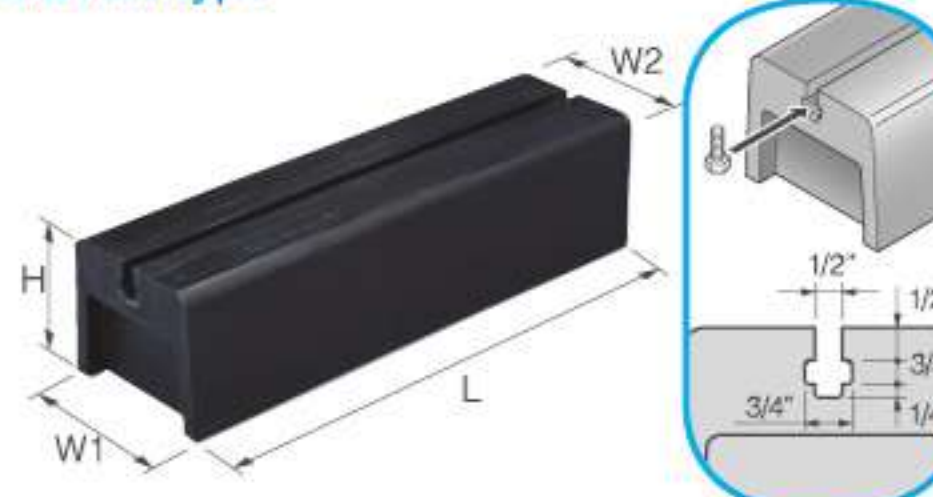
Hanger Rail Type



With slip-preventive rubber sheet

*2 ... Metal rail is not attached.

3/8 Rail Type



CR-D RECYCROCK – D Type

Code No.	Item No.	Rubber Sheet	Dimension L x W1 x W2 x H	Weight	Pcs/Pkg
C 14780	CR-D0715	○	6" x 4-3/4" x 4-3/8" x 2-7/8"	3.1lbs	12
C 14781	CR-D0730	○	11-7/8" x 4-3/4" x 4-3/8" x 2-7/8"	6.2lbs	6
C 14785	CR-D1015	○	6" x 4-3/4" x 4-3/8" x 4"	5.1lbs	8
C 14786	CR-D1030	○	11-7/8" x 4-3/4" x 4-3/8" x 4"	10.1lbs	4
C 14787	CR-D1045	○	17-3/4" x 4-3/4" x 4-3/8" x 4"	11.5lbs	2
C 14788	CR-D1060	○	23-5/8" x 4-3/4" x 4-3/8" x 4"	12.8lbs	2

CR-H RECYCROCK – Hanger Rail Type

Code No.	Item No.	Rubber Sheet	Dimension L x W1 x W2 x H	Weight	Pcs/Pkg
C 14790	CR-H0715	○	6" x 4-3/4" x 4-3/8" x 2-7/8"	3.1lbs	12
C 14791	CR-H0730	○	11-7/8" x 4-3/4" x 4-3/8" x 2-7/8"	6.2lbs	6
C 14795	CR-H1015	○	6" x 4-3/4" x 4-3/8" x 4"	5.1lbs	8
C 14796	CR-H1030	○	11-7/8" x 4-3/4" x 4-3/8" x 4"	10.1lbs	4

CR-W RECYCROCK – 3/8 Rail Type

Code No.	Item No.	Rubber sheet	Dimension L x W1 x W2 x H	Weight	Allowable face load (lbs) *3	Pcs/Pkg
C 14800	CR-W1015	○	6" x 4-3/4" x 4-3/8" x 4"	5.1lbs	1,764lbs	8
C 14801	CR-W1040	×	15-3/4" x 4-3/4" x 4-3/8" x 4"	11.0lbs	1,764lbs	2
C 14802	CR-W1050	×	19-3/4" x 4-3/4" x 4-3/8" x 4"	11.9lbs	1,764lbs	2
C 14803	CR-W1060	×	23-5/8" x 4-3/4" x 4-3/8" x 4"	12.8lbs	1,764lbs	2

*3 ... Allowable face load is calculated on equal loading over 100% of surface area.

CR-BZ BOLT SET for 3/8 Rail Type

Code No.	Item No.	Contents	Pcs/Pkg
C 14190	CR-BZ	W3/8" Hex bolt (L45 HDZ) x 2 pcs, W3/8" Hex bolt (HDZ) x 2 pcs, W3/8" Washer (HDZ) x 2 pcs	10sets

Specifications ■ Material ... Exterior : Recycled resin (PP, PE) / Interior : Eco-concrete / Rubber sheet : Recycled rubber
Temperature Range ... 14°F - 122°F ■ Color ... Black

Light & Heavy duty.
The World-First and
Global Standard
PVC Condenser Riser.



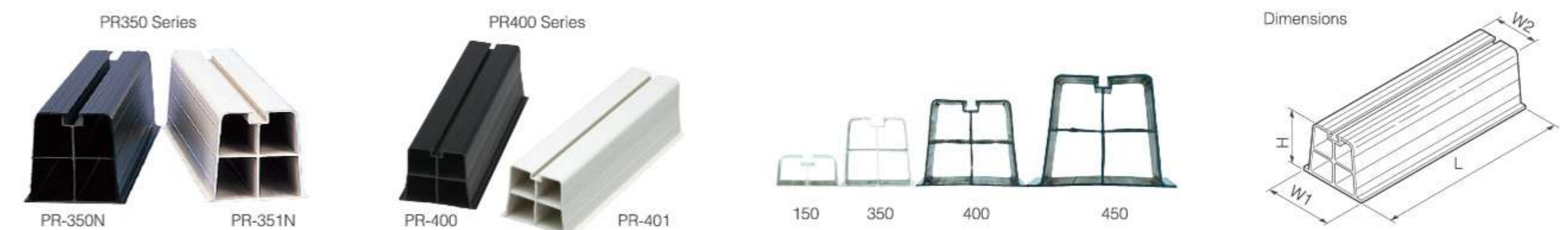
Features

- Lightweight, excellent weather resistance, and high load capacity.
- Integral top channel allows easy adjustment of bolts to suit condenser fixing points and permanently installs condenser to eliminate slippage due to vibration.
- Specially designed open structure permits PLAROCK to withstand outdoor temperatures as high as 122°F.
- 12 SKUs fit condensers from any manufacturer.

PLAROCK
CONDENSER RISER

PR PLAROCK

Condenser Riser



Series	Code No.	Item No.	Color	Allowable load (lbs)	Dimension L x W1 x W2 x H	Attached bolt	Pcs/Pkg
150	C 14340	PR-151	Ivory	309	14-1/4" x 3-1/2" x 3-1/4" x 1-5/8"	Dacrotized	20
	C 14260	PR-350N	Black	309	14-1/4" x 4" x 3-1/4" x 3-3/4"	Dacrotized	20
	C 14310	PR-351N	Ivory	309	14-1/4" x 4" x 3-1/4" x 3-3/4"	Dacrotized	20
350	C 14270	PR-350N-M	Black	397	17-3/4" x 4" x 3-1/4" x 3-3/4"	Dacrotized	20
	C 14320	PR-351N-M	Ivory	397	17-3/4" x 4" x 3-1/4" x 3-3/4"	Dacrotized	20
	C 14280	PR-350N-L	Black	882	39-3/8" x 4" x 3-1/4" x 3-3/4"	N/A	4
	C 14330	PR-351N-L	Ivory	882	39-3/8" x 4" x 3-1/4" x 3-3/4"	N/A	4
	C 14360	PR-400	Black	882	17-3/4" x 6" x 4-3/8" x 4-3/4"	HDZ	6
400	C 14410	PR-401	Ivory	882	17-3/4" x 6" x 4-3/8" x 4-3/4"	HDZ	6
	C 14390	PR-400-L	Black	3,528	70-7/8" x 6" x 4-3/8" x 4-3/4"	N/A	1
450	C 14110	PR-450P	Black	992	17-3/4" x 8-1/8" x 5-1/2" x 6-1/8"	HDZ	6
	C 14100	PR-1800P	Black	3,969	70-7/8" x 8-1/8" x 5-1/2" x 6-1/8"	N/A	1

Specifications ■ Material ... PVC ■ Caution ■ Use only within temperature range of 14°F to 122°F

PRC PLAROCK END COVER



- Features
- Clip on cover seals and beautifies open ends of PLAROCK.
 - Can be permanently attached with adhesive if required.
 - Integral ventilation slots improve thermal resistance.

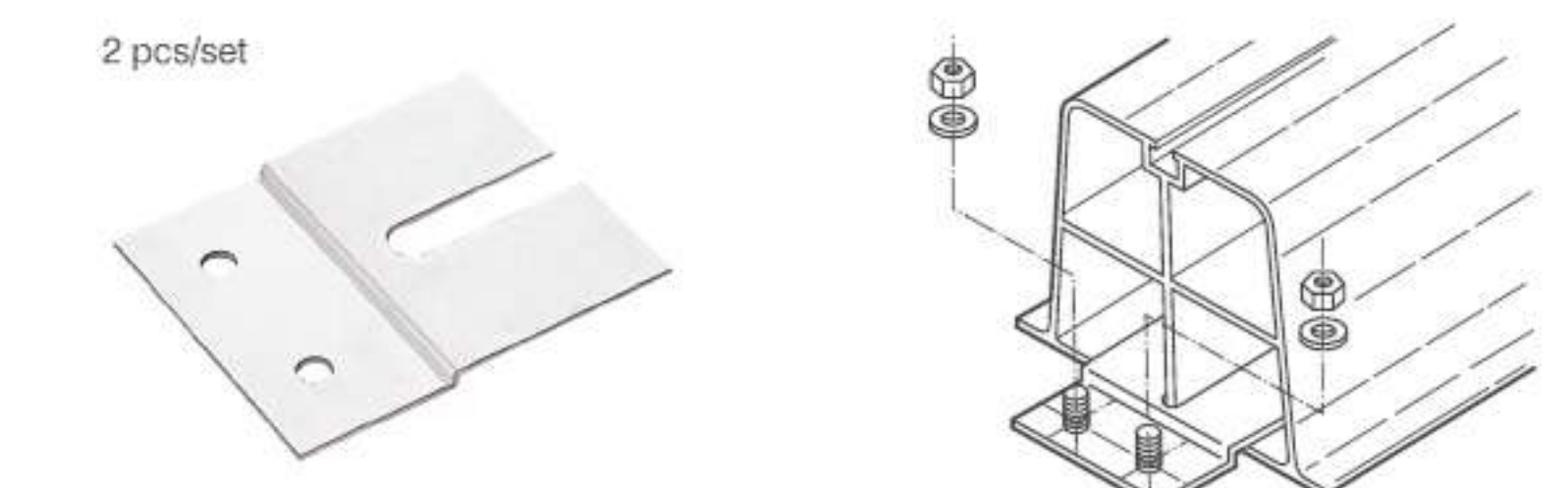
Specifications ■ Material ... PVC

Code No.	Item No.	Color	Applicable PLAROCK	Pcs/Pkg
C 14450	PRC-350N	Black	350 Series	50sets
C 14460	PRC-351N	Ivory	350 Series	50sets

Caution ■ Use of adhesive is recommended to ensure permanent attachment.

*2pcs/set

PR-P PLAROCK RETAINER CLAMP



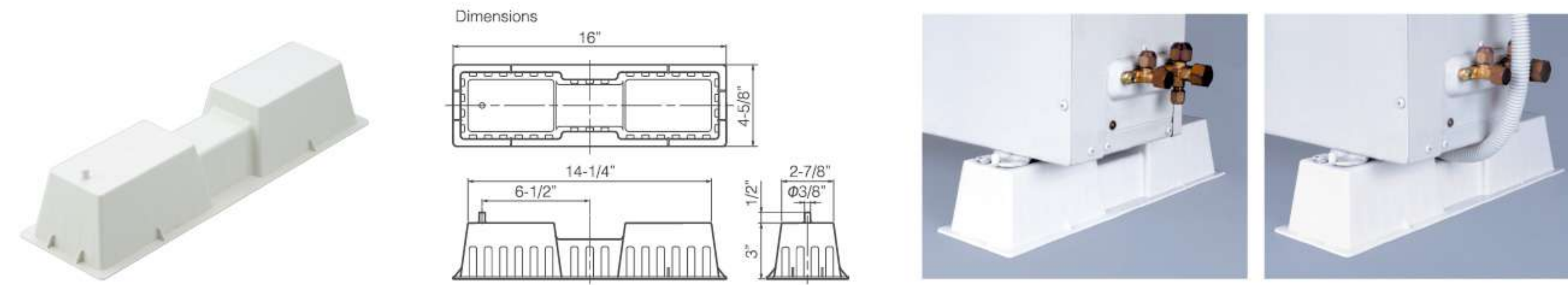
Fixing hole diameter (Ø1/2")

- Specifications
- Material (Surface treatment) ... SS41 (Hot-dip galvanized)
 - Color ... Gray

Code No.	Item No.	Compliant size	L	W	Thickness
C 14150	PR-P1	400/450 Series	4-3/4"	4"	1/8"
C 14140	PR-P2	150/350 Series	3-1/4"	2-3/8"	1/8"

*2 pieces per set,
1 set required per length of PLAROCK.

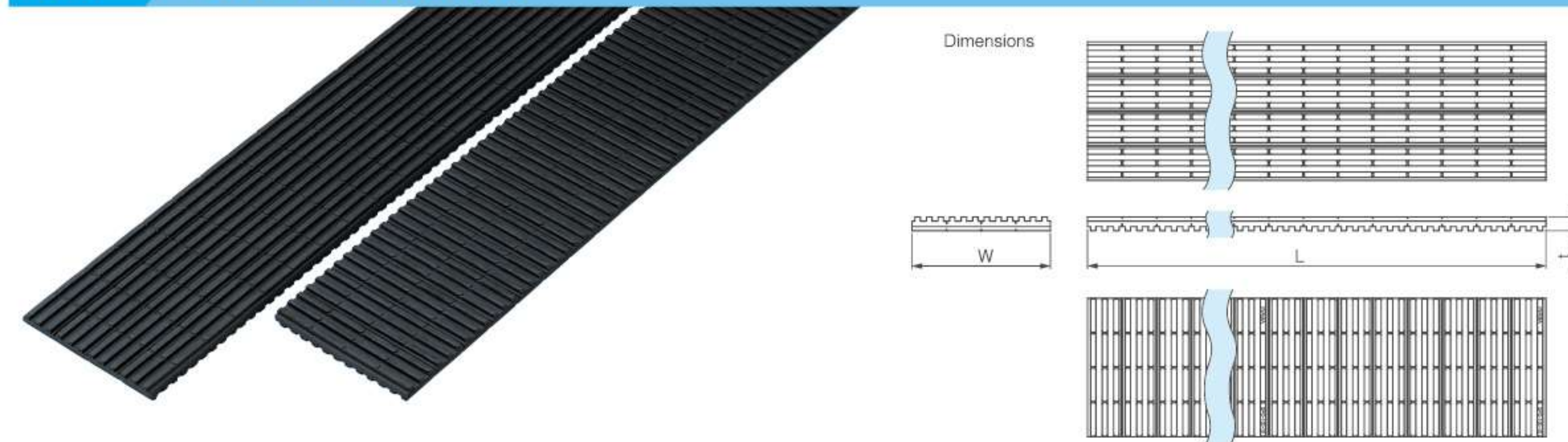
LC PP CONDENSER RISER



Code No.	Item No.	Pcs/Pkg
C 14670	LC-360N	50

- Specifications**
- Material ... PP
 - Color ... Ivory
 - Temperature Range ... 14°F - 122°F (Surface temperature)
 - Allowable Load ... 132lbs: When using 2pcs at the level

GPC ANTI-VIBRATION PAD



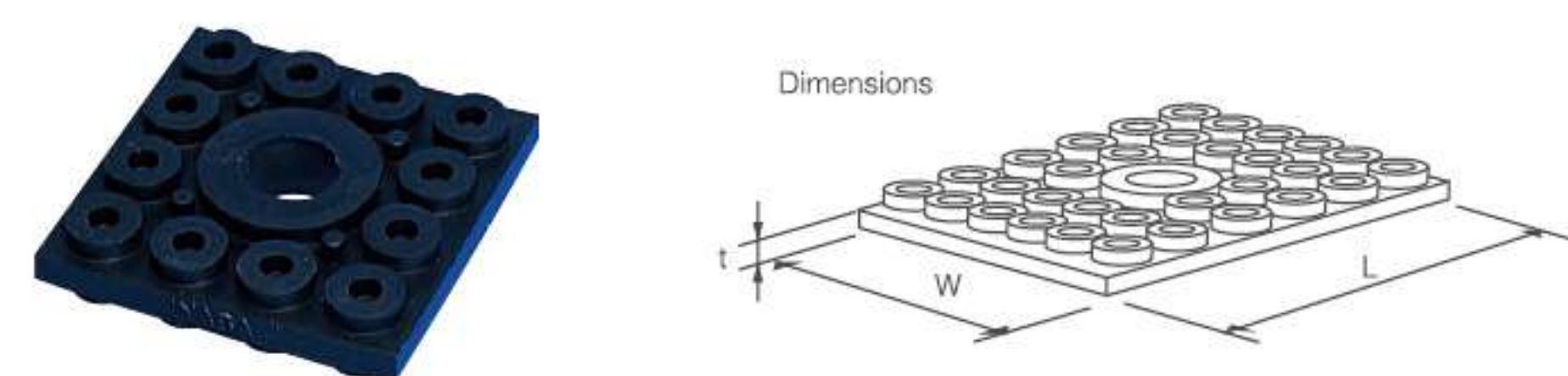
- Features**
- Absorbs vibration and acts as a buffer to reduce noise transmission.
 - Surface embossed cut lines at 2" intervals facilitate cutting to size.
 - Interval between each projection is enough and ensures that vibration absorption is not compromised even under heavy loads (projections are designed not to touch each other).
 - Be stacked in layers easily (with the same item No. only).

- Specifications**
- Material ... NR + SBR

Caution Do not apply this product directly to any PVC floor material as plasticizer ingredient may cause discoloration.

Code No.	Item No.	Width (W)	Length (L)	Thickness (t)	Pcs/Pkg
C 06880	GPC-100-10	4"	39-3/8"	1/2"	20
C 06250	GPC-100-12	4"	47-1/4"	1/2"	20
C 06220	GPC-150-10	6"	39-3/8"	1/2"	10
C 06230	GPC-300-03	11-7/8"	11-7/8"	1/2"	20
C 06240	GPC-100T15-10	4"	39-3/8"	1/2"	10

GPS ANTI-VIBRATION PAD



- Features**
- Absorbs vibration and acts as a buffer to reduce noise transmission.
- Specifications**
- Chloroprene rubber is used as material which offers superior weather and thermal resistance.

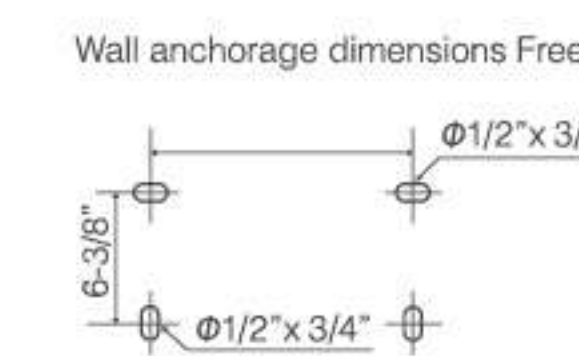
Code No.	Item No.	Width (W)	Length (L)	Thickness (t)	Hole Diameter	Pcs/Pkg
C 06980	GPS-50-50	2"	2"	1/2"	5/8"	240
C 06990	GPS-80-80	3-1/4"	3-1/4"	1/2"	5/8"	120
C 07000	GPS-100-100	4"	4"	1/2"	5/8"	60

CONDENSER BRACKET

WALL BRACKET – Separated Type

Use	For Wall	Specification / Material
Code No.	C 18544	Powder Coating
Item No.	C-BFG-L	
A/C applicable size	W D Free	
Min. lot	5-5/8" - 17-3/8"	6

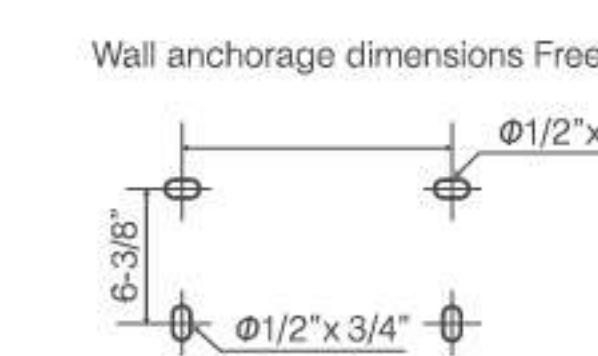
Capacity 176 lbs



Caution Coach bolts are not included.

Use	For Wall	Specification / Material
Code No.	C 18548	Hot-Dip Galvanized
Item No.	C-BZFG	
A/C applicable size	W D Free	
Min. lot	4" - 13"	6

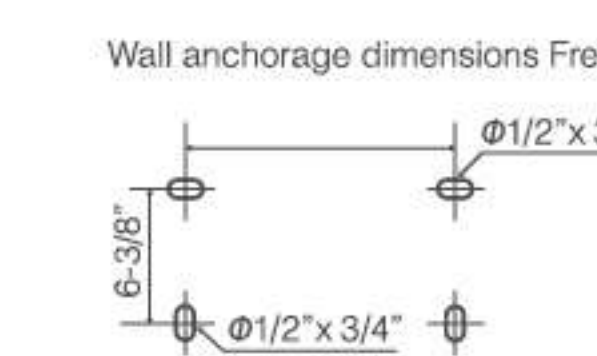
Capacity 176 lbs



Caution Coach bolts are not included.

Use	For Wall	Specification / Material
Code No.	C 18549	Hot-Dip Galvanized
Item No.	C-BZFG-L	
A/C applicable size	W D Free	
Min. lot	5-5/8" - 17-3/8"	6

Capacity 176 lbs

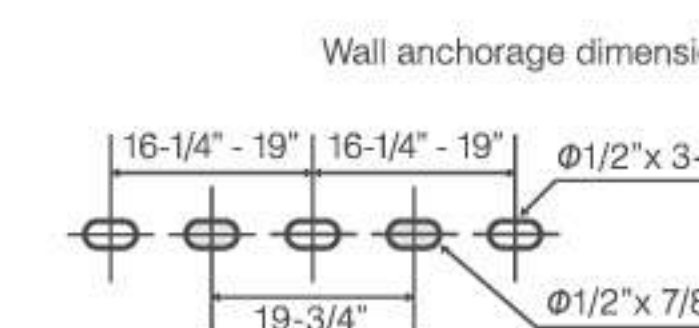


Caution Coach bolts are not included.

WALL BRACKET

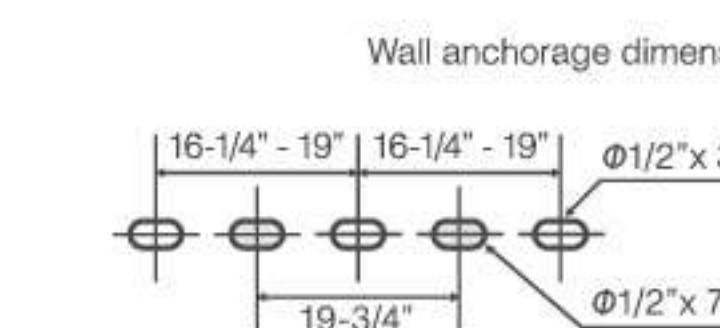
Use	For Wall	Specification / Material
Code No.	C 18508	ZAM+ Powder Coating
Item No.	C-KG	
A/C applicable size	W D	
Min. lot	2-7/8" - 37-1/8" / 6-3/8" - 13-1/2"	4

Capacity 176 lbs



Use	For Wall	Specification / Material
Code No.	C 18536	ZAM+ Powder Coating
Item No.	C-KG-L	
A/C applicable size	W D	
Min. lot	2-7/8" - 37-1/8" / 6-3/8" - 15-3/4"	4

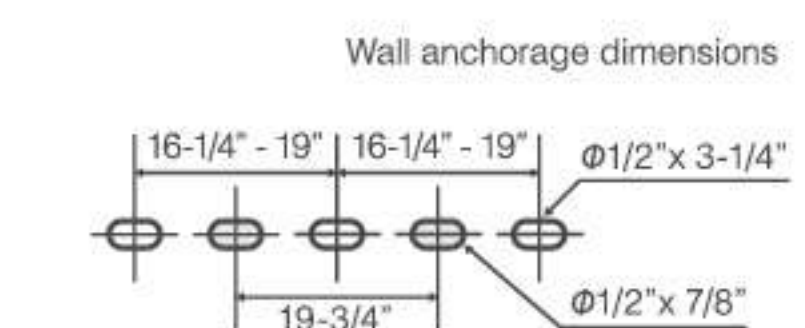
Capacity 176 lbs



Caution Hang vertical bar from the front.

Use	For Wall	Specification / Material
Code No.	C 18537	Hot-Dip Galvanized
Item No.	C-KZG-L	
A/C applicable size	W D	
Min. lot	2-7/8" - 37-1/8" / 6-3/8" - 15-3/4"	4

Capacity 176 lbs



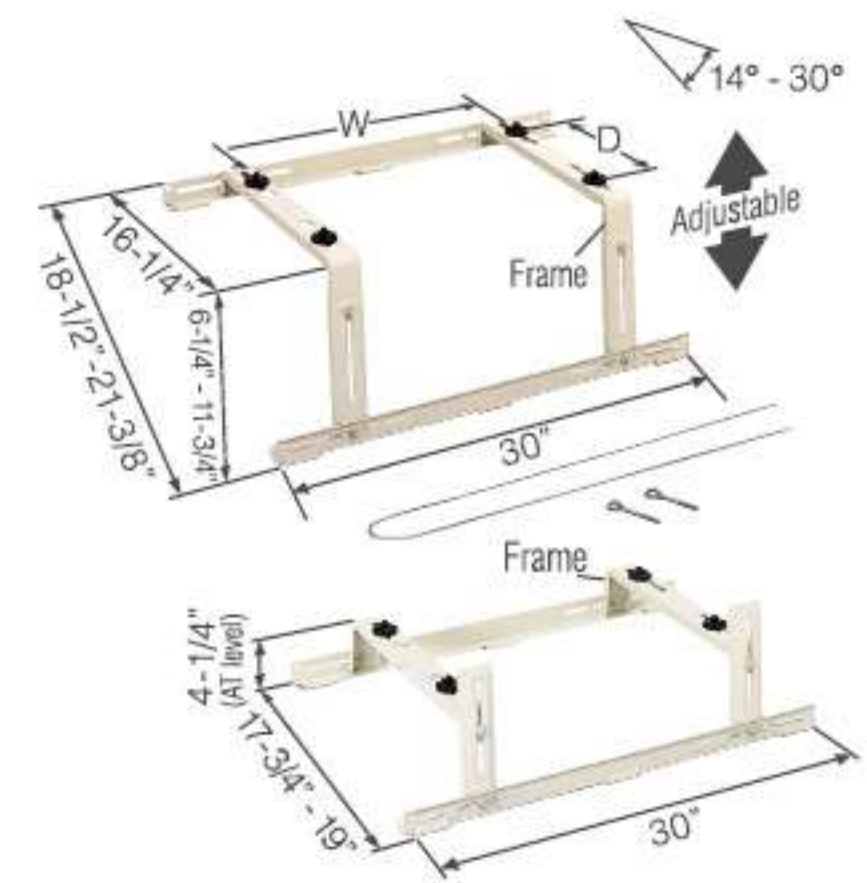
Caution Hang vertical bar from the front.

CONDENSER BRACKET

SLOPED ROOF BRACKET

Use	For Sloped Roof
Code No.	C 18502
Item No.	C-YG
Specification/ Material	ZAM+Powder Coating
A/C applicable	W 11-7/8" - 27-5/8" D 7-1/8" - 13"
Min. lot	4

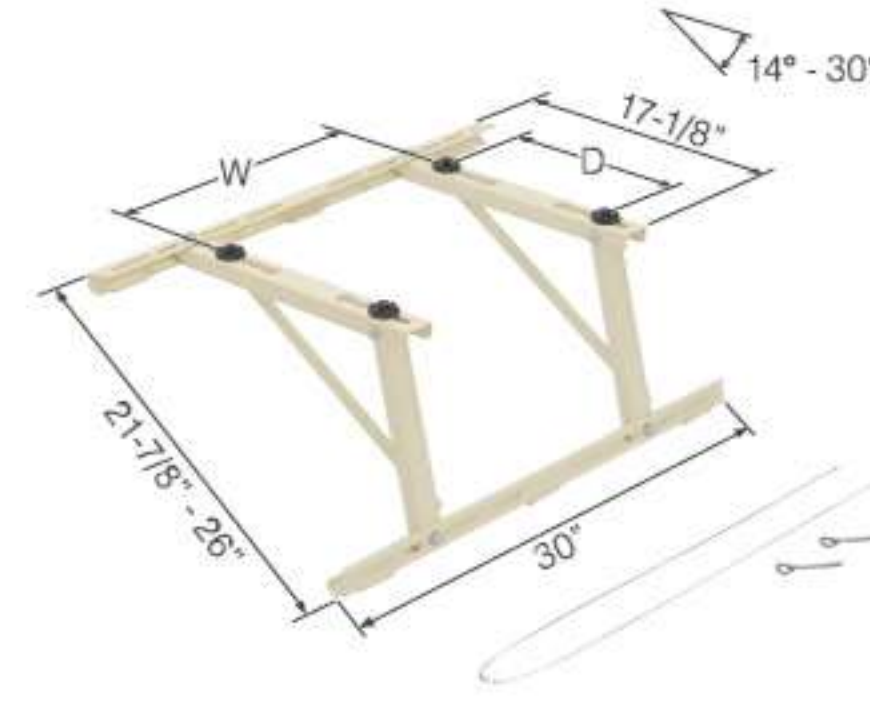
Capacity 176 lbs
Pitch of roof 14° - 30°
Mild slope 2.5/10 - 5.8/10
Level - 3/10



Can be adjusted for mild slope (0°-17°) by assembling the frame upside down.

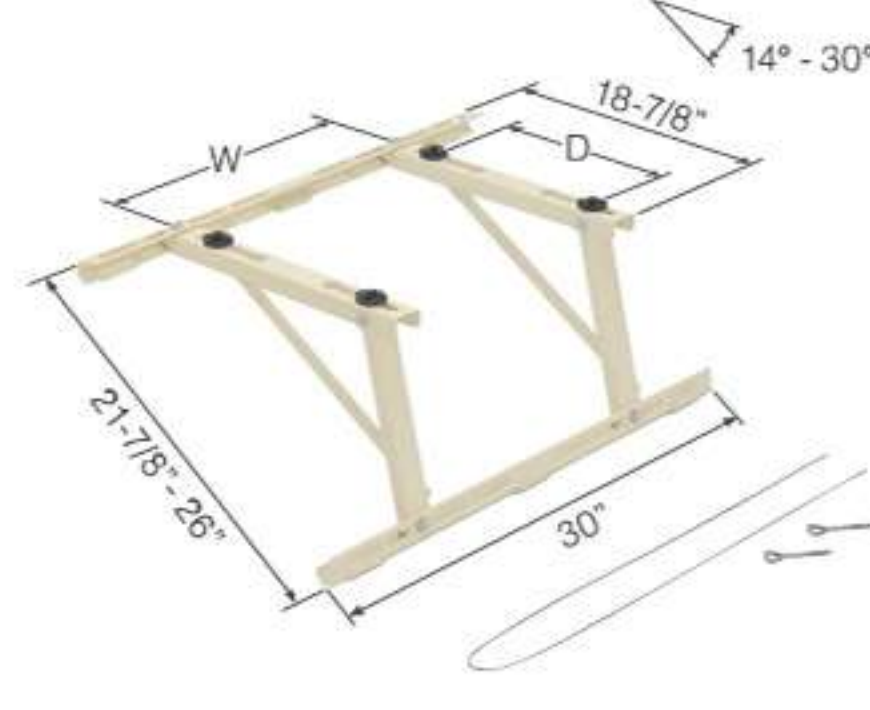
Use	For Sloped Roof
Code No.	C 18503
Item No.	C-YUG
Specification/ Material	ZAM+Powder Coating
A/C applicable	W 4" - 27-5/8" D 6-3/8" - 13-1/2"
Min. lot	4

Capacity 176 lbs
Pitch of roof 14° - 30°
2.5/10 - 5.8/10



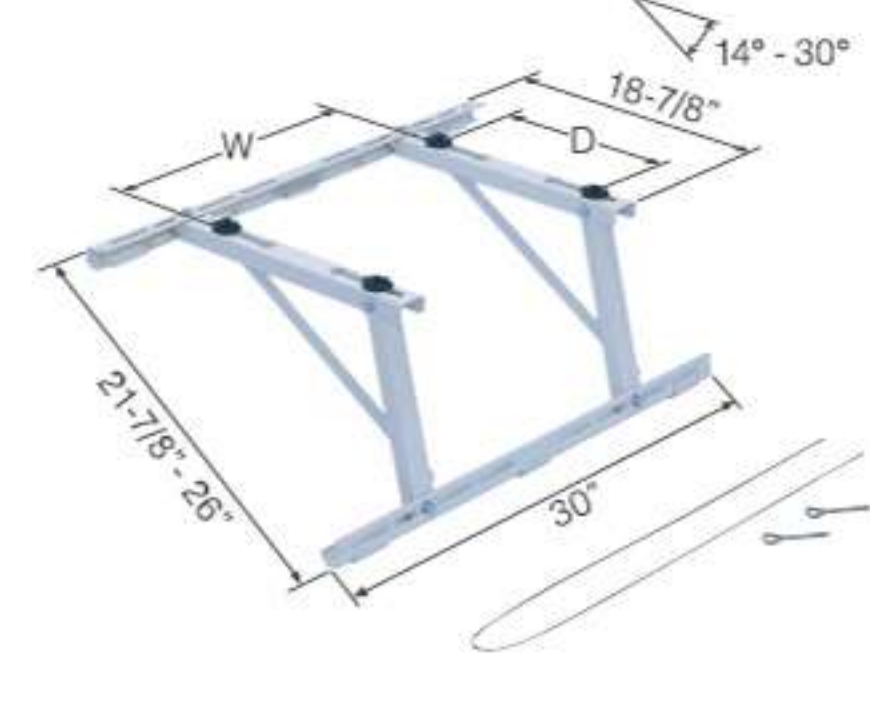
Use	For Sloped Roof
Code No.	C 18540
Item No.	C-YUG-L
Specification/ Material	ZAM+Powder Coating
A/C applicable	W 4" - 27-5/8" D 6-3/8" - 13-1/2"
Min. lot	4

Capacity 176 lbs
Pitch of roof 14° - 30°
2.5/10 - 5.8/10



Use	For Sloped Roof
Code No.	C 18541
Item No.	C-YUZG-L
Specification/ Material	Hot-Dip Galvanized
A/C applicable	W 4" - 27-5/8" D 6-3/8" - 13-1/2"
Min. lot	4

Capacity 176 lbs
Pitch of roof 14° - 30°
2.5/10 - 5.8/10

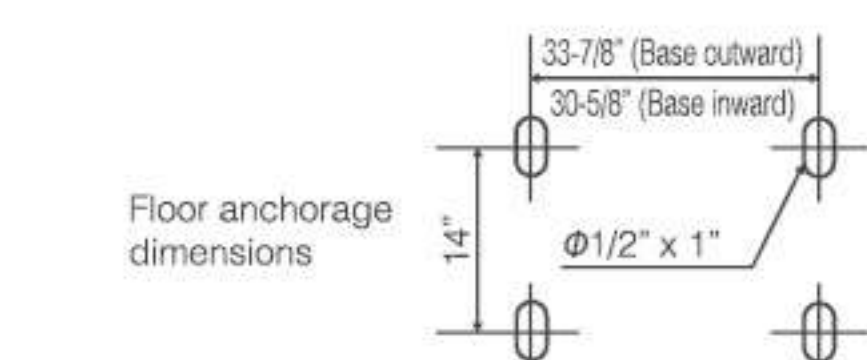
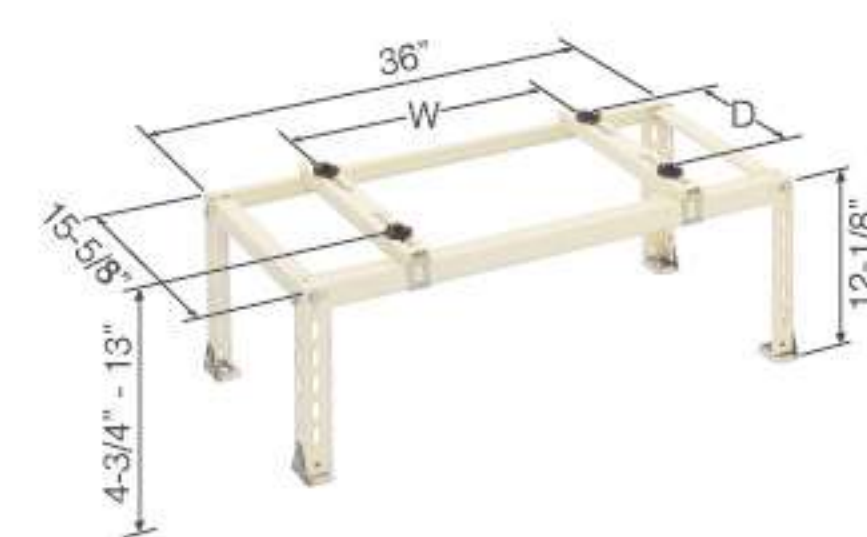


SLAB STAND

Use	For Flats
Code No.	C 18516
Item No.	C-NG
Specification/ Material	ZAM+Powder Coating
A/C applicable	W 11-7/8" - 27-5/8" D 6-3/8" - 13-1/2"
Min. lot	3

Capacity 176 lbs
H11-7/8" Frame clips together for easy assembly

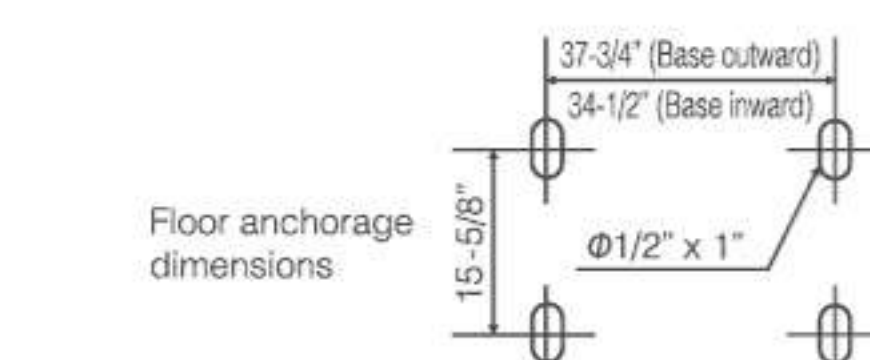
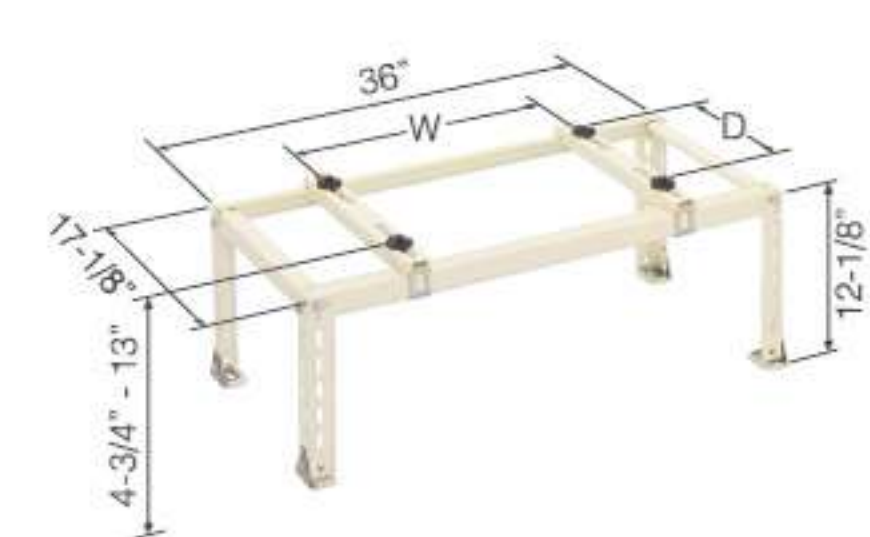
Applicable pitch 0° - 28° (Level - 5.2/10)
0° - 12° (Level - 2.1/10)



Use	For Flats
Code No.	C 18518
Item No.	C-NG-L
Specification/ Material	ZAM+Powder Coating
A/C applicable	W 15-3/4" - 31-1/2" D 7-7/8" - 15"
Min. lot	2

Capacity 176 lbs
H11-7/8" Frame clips together for easy assembly

Applicable pitch 0° - 28° (Level - 5.2/10)
0° - 12° (Level - 2.1/10)

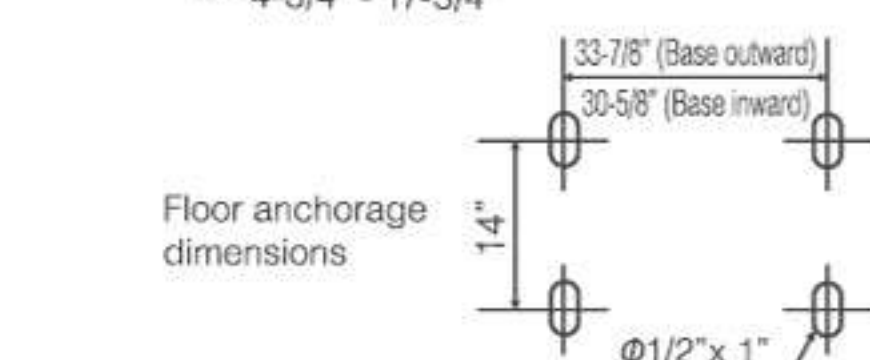
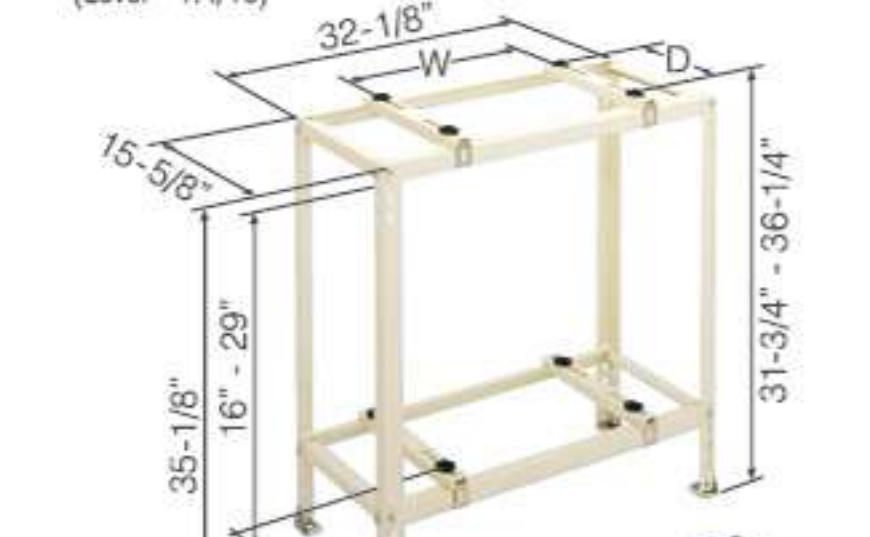


DUPLEX STAND

Use	For Two-Stage Flats
Code No.	C 18525
Item No.	C-WG
Specification/ Material	ZAM+Powder Coating
A/C applicable	W 11-7/8" - 27-5/8" D 6-3/8" - 13-1/2"
Min. lot	2

Capacity 176 lbs x 2
Effective A/C dimensions on 1st step (Width)(Depth)(Height) 29" 12-3/8" 29"
Frame clips together for easy assembly

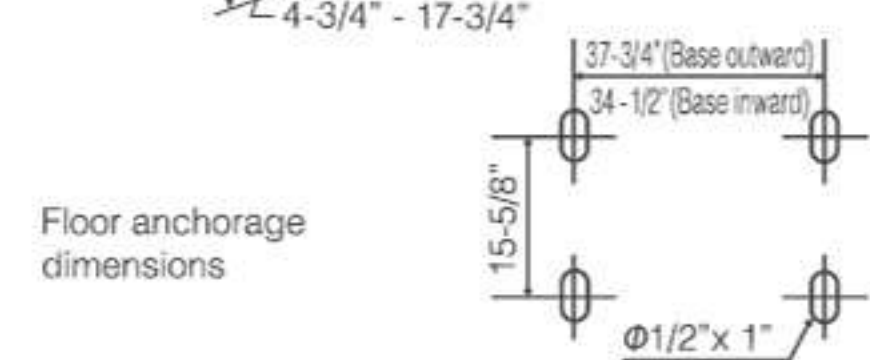
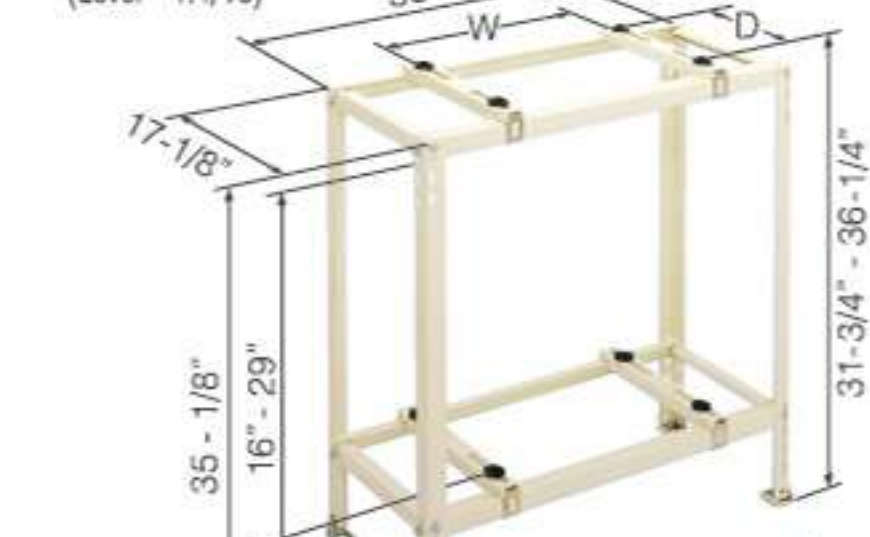
Pitch adjustment 0° - 18° (Level - 3.2/10)
Rectangular setting 0° - 18° (Level - 1.4/10)



Use	For Two-Stage Flats
Code No.	C 18527
Item No.	C-WG-L
Specification/ Material	ZAM+Powder Coating
A/C applicable	W 15-3/4" - 31-1/2" D 7-7/8" - 15"
Min. lot	2

Capacity 176 lbs x 2
Effective A/C dimensions on 1st step (Width)(Depth)(Height) 32-7/8" 14" 29"
Frame clips together for easy assembly

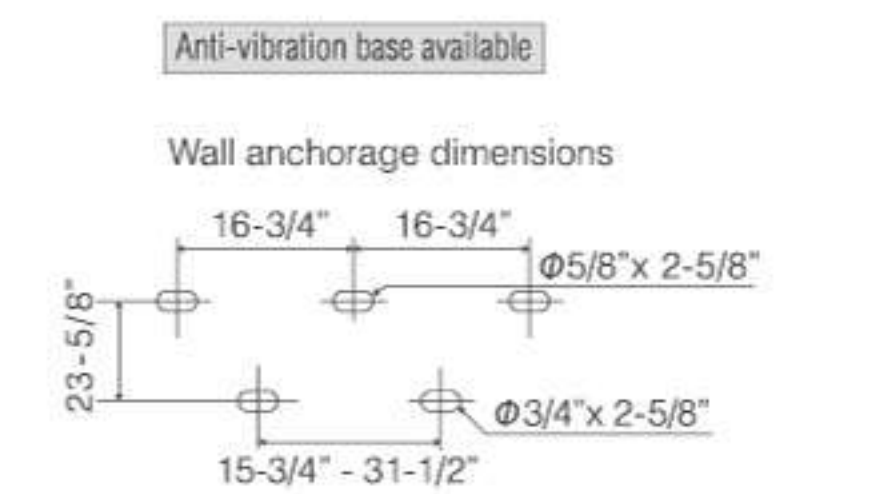
Pitch adjustment 0° - 18° (Level - 3.2/10)
Rectangular setting 0° - 18° (Level - 1.4/10)



WALL BRACKET

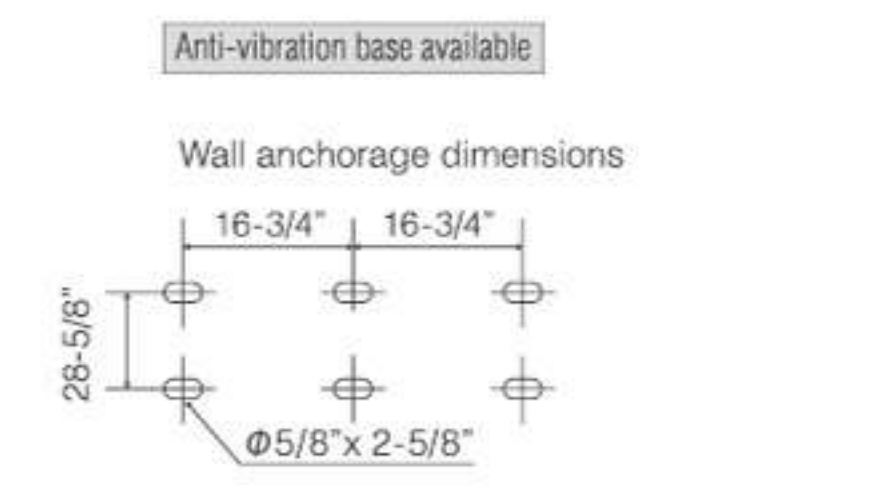
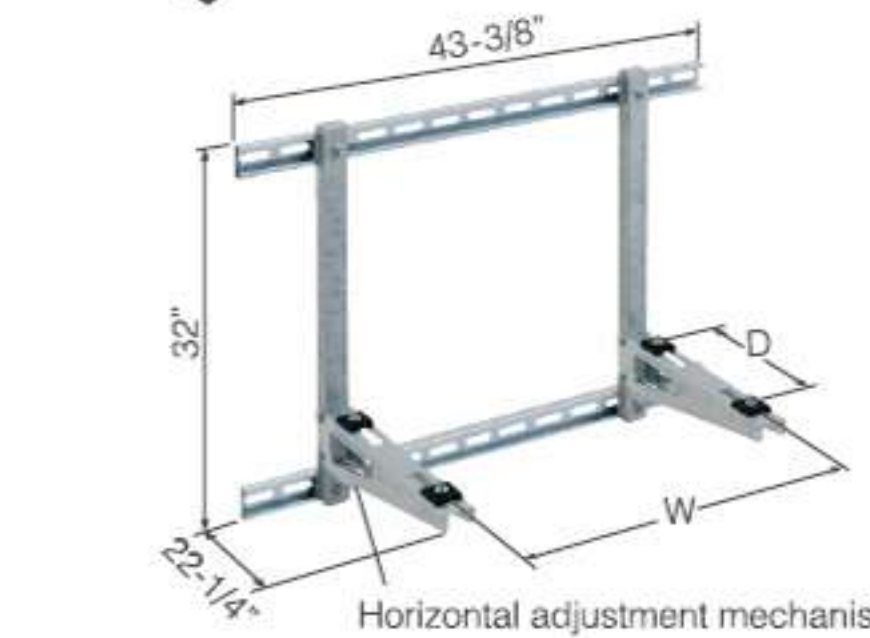
Use	For Wall
Code No.	C 25170
Item No.	PC-KJ30
Specification/ Material	Hot-Dip Galvanized
A/C applicable	W 15-3/4" - 31-1/2" D 9-7/8" - 15"
Min. lot	1

Capacity 331 lbs



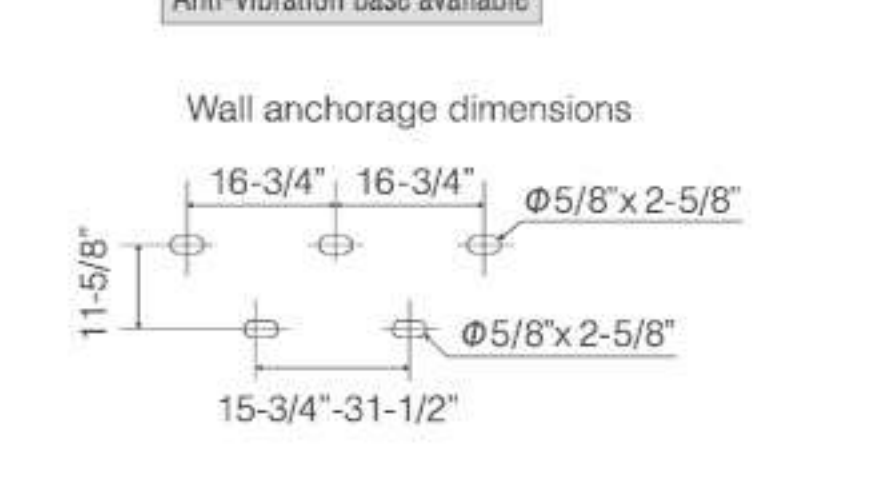
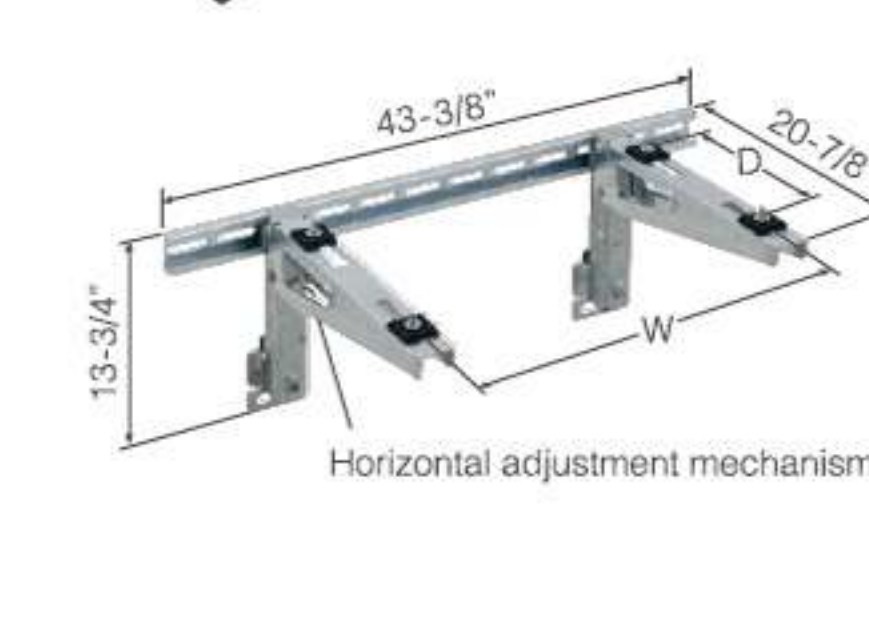
Use	For Wall
Code No.	C 25171
Item No.	PC-KJ60
Specification/ Material	Hot-Dip Galvanized
A/C applicable	W 15-3/4" - 39-3/8" D 11-7/8" - 17"
Min. lot	1

Capacity 331 lbs



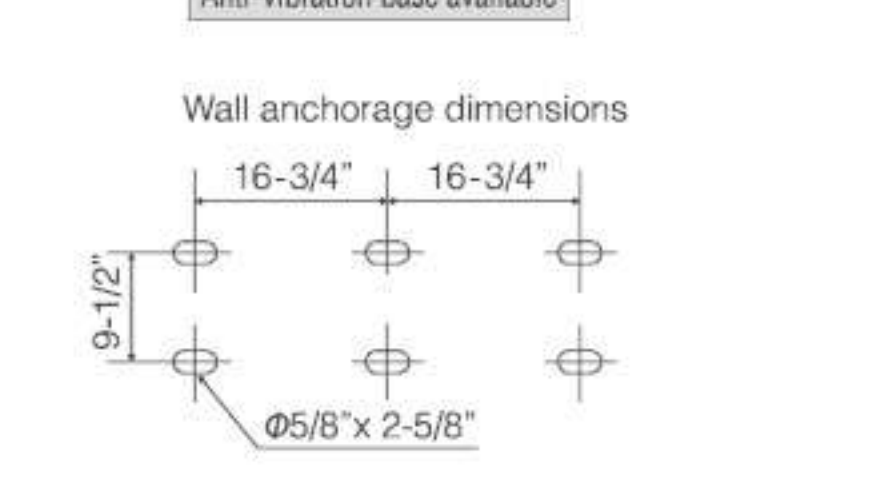
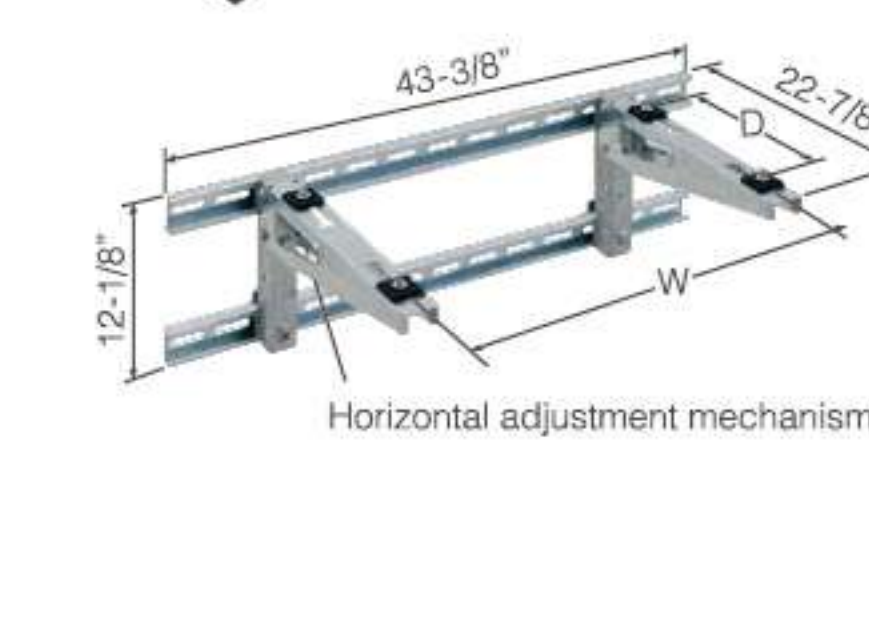
Use	For Wall
Code No.	C 25173
Item No.	PC-BJ30
Specification/ Material	Hot-Dip Galvanized
A/C applicable	W 15-3/4" - 31-1/2" D 9-7/8" - 15"
Min. lot	1

Capacity 331 lbs



Use	For Wall
Code No.	C 25174
Item No.	PC-BJ60
Specification/ Material	Hot-Dip Galvanized
A/C applicable	W 15-3/4" - 39-3/8" D 11-7/8" - 17"
Min. lot	1

Capacity 331 lbs

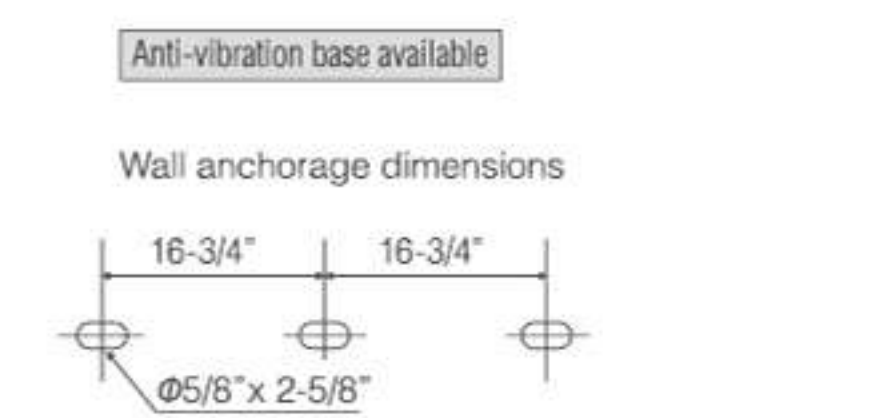
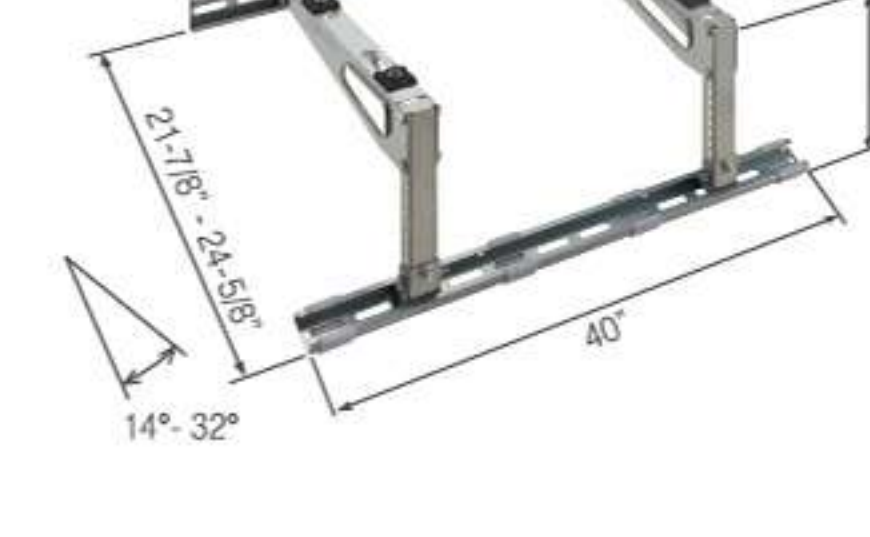


SLOPED ROOF BRACKET

Use	For Sloped Roof
Code No.	C 25176
Item No.	PC-YJ30
Specification/ Material	Hot-Dip Galvanized
A/C applicable	W 15-3/4" - 31-1/2" D 9-7/8" - 15"
Min. lot	1

Capacity 331 lbs
Pitch of roof 14° - 32°
2.5/10 - 6.2/10

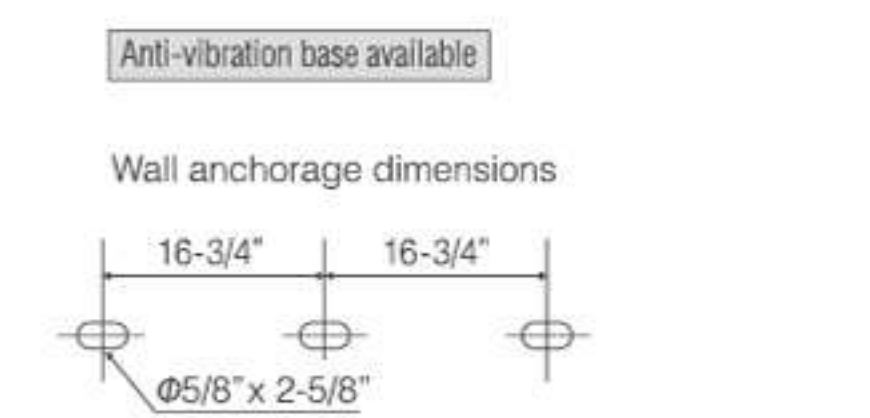
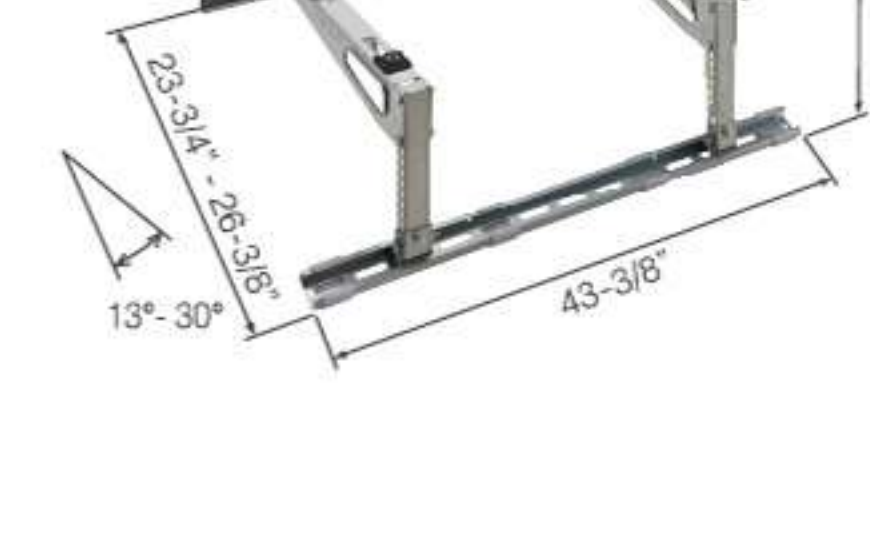
Applicable pitch 13° - 30°
2.3/10 - 5.8/10



Use	For Sloped Roof
Code No.	C 25177
Item No.	PC-YJ60
Specification/ Material	Hot-Dip Galvanized
A/C applicable	W 15-3/4" - 39-3/8" D 11-7/8" - 17"
Min. lot	1

Capacity 331 lbs
Pitch of roof 13° - 30°
2.3/10 - 5.8/10

Applicable pitch 13° - 30°
2.3/10 - 5.8/10

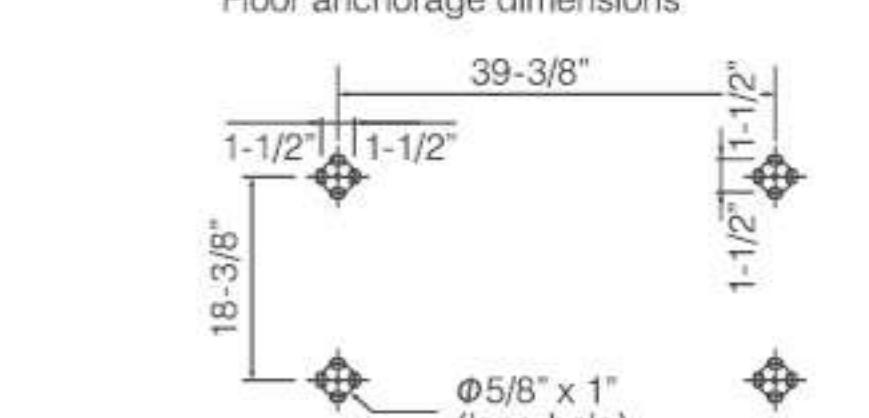


SLAB STAND

Use	For Flats
Code No.	C 25140
Item No.	PC-NJ33
Specification/ Material	Hot-Dip Galvanized
A/C applicable	W 15-3/4" - 32" D 9-7/8" - 16-1/4"
Min. lot	1

Capacity 441 lbs
Height 11-7/8"

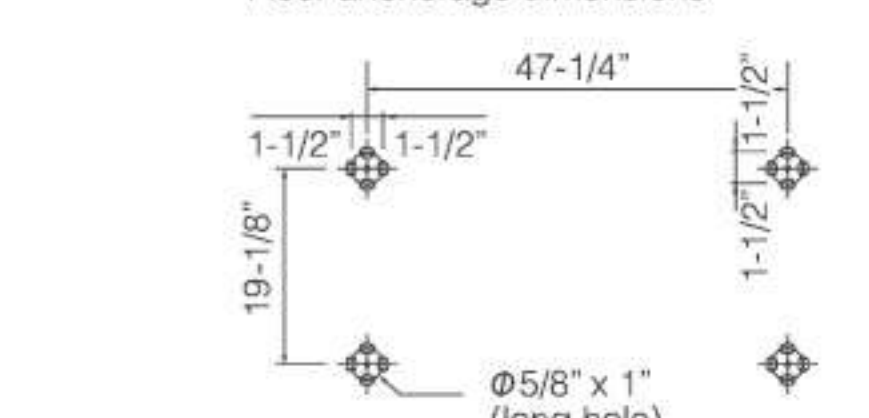
Applicable pitch 13° - 30°
2.3/10 - 5.8/10



Use	For Flats
Code No.	C 25146
Item No.	PC-NJ63
Specification/ Material	Hot-Dip Galvanized
A/C applicable	W 15-3/4" - 39-7/8" D 10-3/4" - 17"
Min. lot	1

Capacity 441 lbs
Height 11-7/8"

Applicable pitch 13° - 30°
2.3/10 - 5.8/10

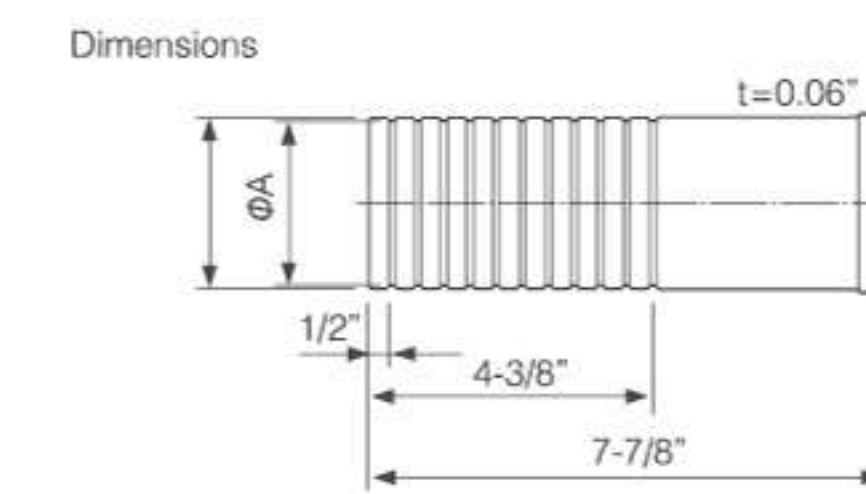


MINI-SPLIT SOLUTION ACCESSORIES



WALL SLEEVE

FP PLAIN WALL SLEEVE

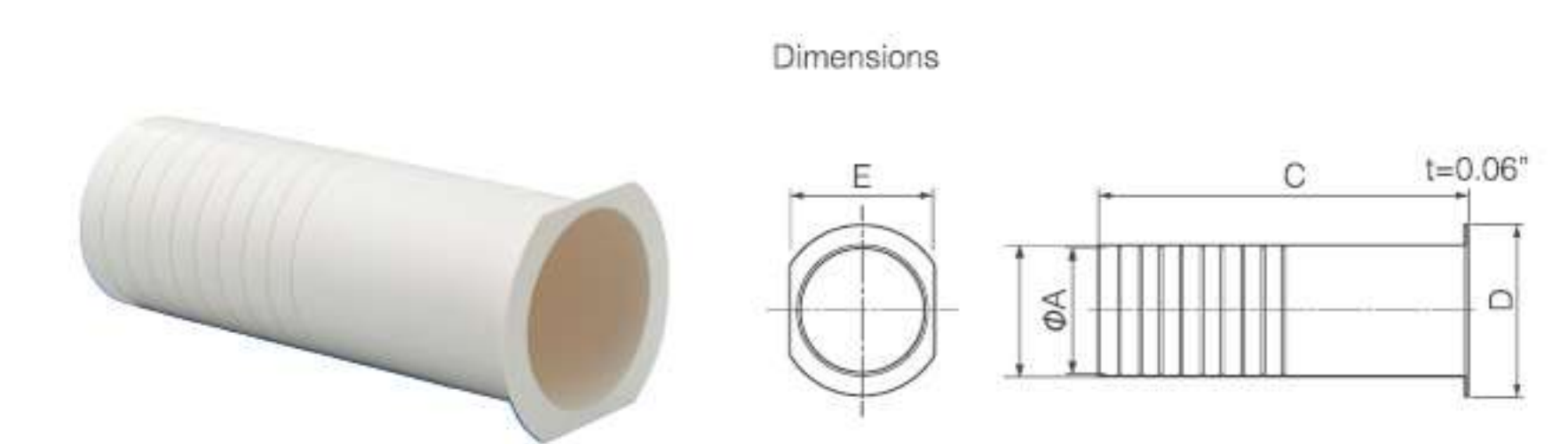


Combination with WALL CAP (WC).

- Features**
- Cutmarks embossed at 1/2" intervals on sleeve surface facilitate cutting to correct length.
- Specifications**
- Material ... PE
 - Color ... Ivory

Code No.	Item No.	Applicable WALL CAP	A (I.D.)	Core drill diameter	Pcs/Pkg
C 03860	FP-60N	WC-60N,UWC-60	2-1/2"	2-5/8"	100
C 03870	FP-65N	WC-65N,UWC-65	2-5/8"	2-7/8"	100
C 03880	FP-75N	WC-75N	3"	3-1/4"	100

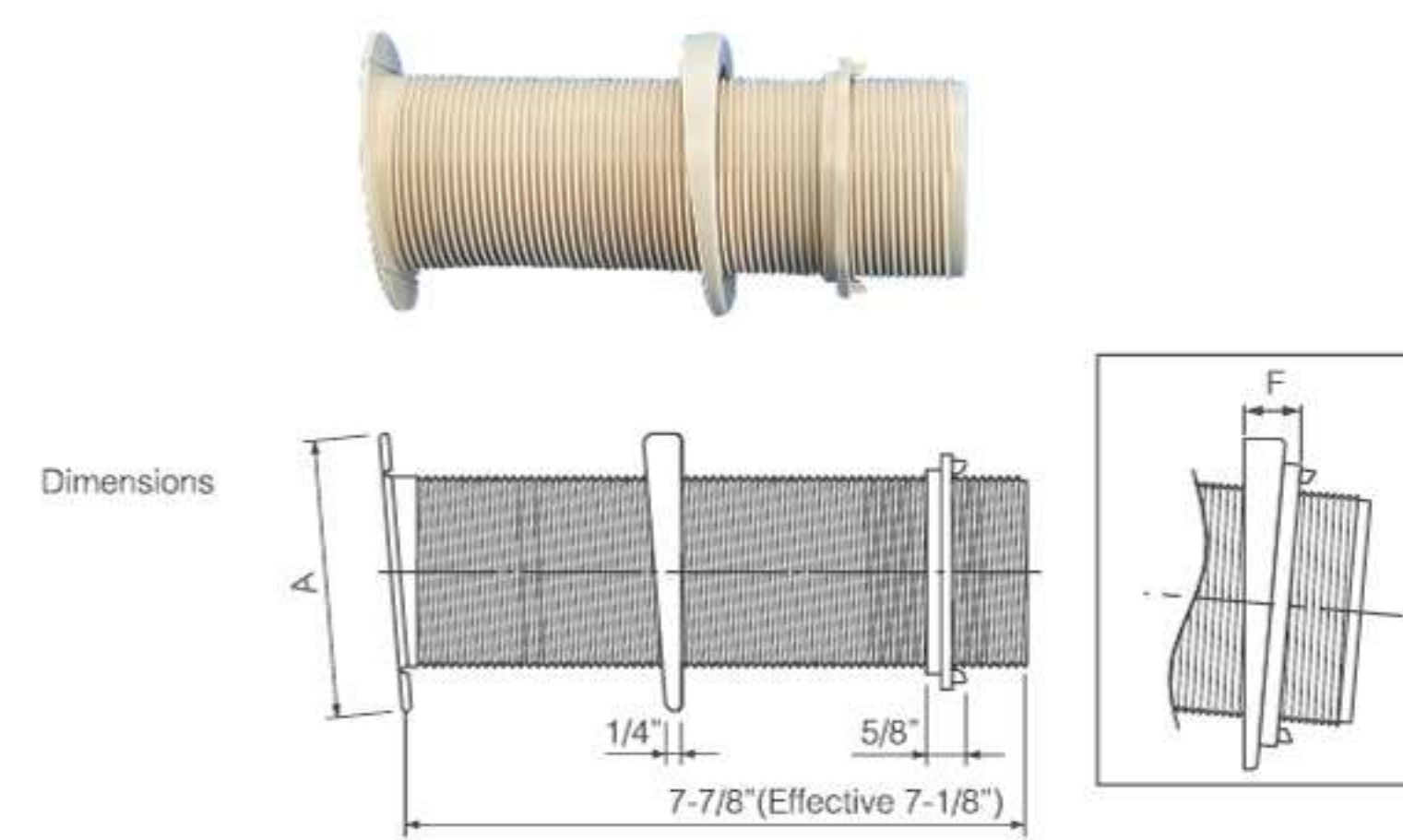
FPW FLANGED WALL SLEEVE



- Features**
- Cutmarks embossed at 1/2" intervals on sleeve surface facilitate cutting to correct length.
 - Integral flange prevents loss inside wall cavity.
 - Can be used with WALL CAP (WC, UWC).
- Specifications**
- Material ... PE + PP
 - Color ... Ivory (Silky White)

Code No.	Item No.	A (I.D.)	C	D	E	Core drill diameter	Pcs/Pkg
C 03950	FPW-60	2-1/2"	7-1/8"	2-7/8"	2-7/8"	2-5/8"	100
C 03960	FPW-65	2-5/8"	7/8"	3-1/2"	3"	2-7/8"	50
C 03970	FPW-70	3"	7/8"	3-3/4"	3-1/4"	3-1/4"	50

FPS FLANGED WALL SLEEVE WITH ANGLE



- Features**
- Integral 5° slope ensures correct pitch for drain line.
 - Easily secured tightly onto wall by tightening locknut.
- Specifications**
- Material ... PE
 - Color ... Ivory
- Caution**
- Joint, fixing and penetration points must be weatherproofed with caulk or putty.
 - When drilling hole in the wall, take into account wall thickness as well as slope to ensure that 5° pitch is maintained.

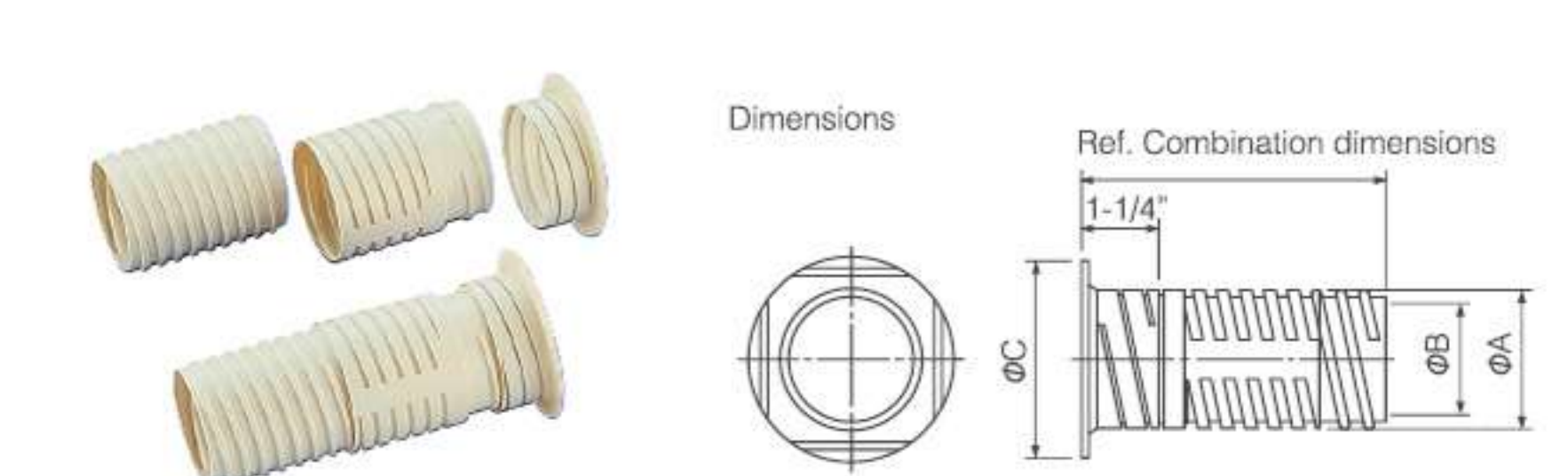
Code No.	Item No.	A	I.D.	Core drill diameter	Effective length(max)	F	Pcs/Pkg
C 03930	FPS-85	5-1/8"	3-3/8"	3-3/4"	7-1/8"	1"	10

NFP-S ADJUSTABLE WALL SLEEVE KIT



Code No.	Item No.	Contents	Pcs/Pkg
C 03810	NFP-60S	NFP-60 + (NWC-60 + NWM-C) × 2	30
C 03820	NFP-65S	NFP-65 + (NWC-65 + NWM-C) × 2	30
C 03830	NFP-75S	NFP-75 + (NWC-75 + NWM-C) × 2	30

NFP ADJUSTABLE SLEEVE



- Features**
- Length is adjustable between 4" - 7-1/8" without cutting.
 - Wide flange allows for installation up to 5° slope.
 - Unitary construction is easy to caulk and prevents water and pest damage.
- Specifications**
- Material ... PE
 - Color ... Ivory
- Caution**
- Joint, fixing and penetration points must be weatherproofed with caulk or putty.
 - Cannot adjust for lengths between 4-1/4" - 5".

Code No.	Item No.	A (I.D.)	B (O.D.)	C	Core drill diameter	Pcs/Pkg
C 03660	NFP-60	2-1/2"	2"	3-3/8"	2-5/8"	100
C 03670	NFP-65	2-5/8"	2-1/4"	3-5/8"	2-7/8"	100
C 03680	NFP-75	3-1/8"	2-5/8"	4"	3-1/4"	50

NFP Description of Part Names

A (Flange)	B (Body)	C (End)

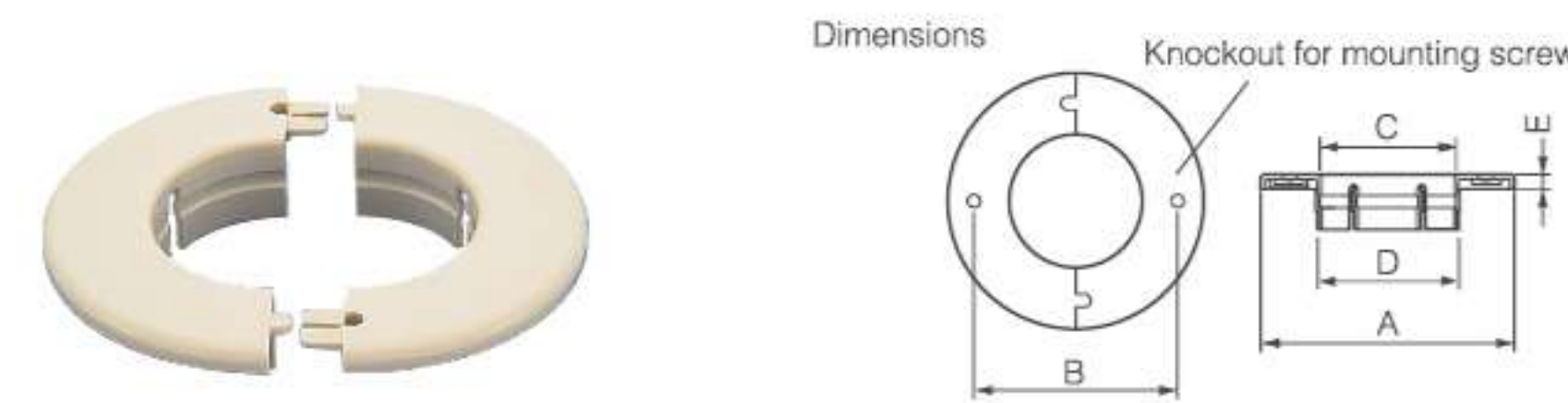
Combination Dimensions

Parts Combination	Adjustable Length	NFP Required Q'ty
A+B	4" - 4-1/4"	1 set
A+C	5" - 7-1/8"	1 set
A+B+C	7-3/4" - 10-1/8"	2 sets
A+B+B+C	10-1/2" - 13"	3 sets

*Minimum 1" overlap is required for each component when assembling.
 *To attach NWC WALL CAP to part B or C, adjust sleeve to exact thickness of wall.
 *To replace part A with WALL CAP (NWC), reduce sleeve length to 1/2" less than wall thickness.

WALL CAP

WC WALL CAP



- Features**
- Split construction ensures easy installation.
 - Use in combination with FP-60N, FP-65N, FP-75N.
 - Locking tab snaps off to provide holes for extra mounting screws.
 - Scored line facilitates trimming of flange to fit into tight spaces.

Specifications ■ Material ... PP ■ Color ... Ivory, White

Caution ■ Joint, fixing and penetration points must be weatherproofed with caulk or putty.

Code No.	Item No.	Color	A	B	C (I.D.)	D (O.D.)	E	Pcs/Pkg
C 03385	WC-65-W	White	4-5/8"	3-7/8"	2-1/2"	2-5/8"	1/8"	200
C 03352	WC-60N-I	Ivory	4-1/2"	3-7/8"	2-1/4"	2-1/2"	1/4"	200
C 03362	WC-65N-I		4-5/8"	3-7/8"	2-1/2"	3"	1/4"	200
C 03372	WC-75N-I		5"	4-1/2"	2-7/8"	2-5/8"	1/4"	200

AC A/C CAP

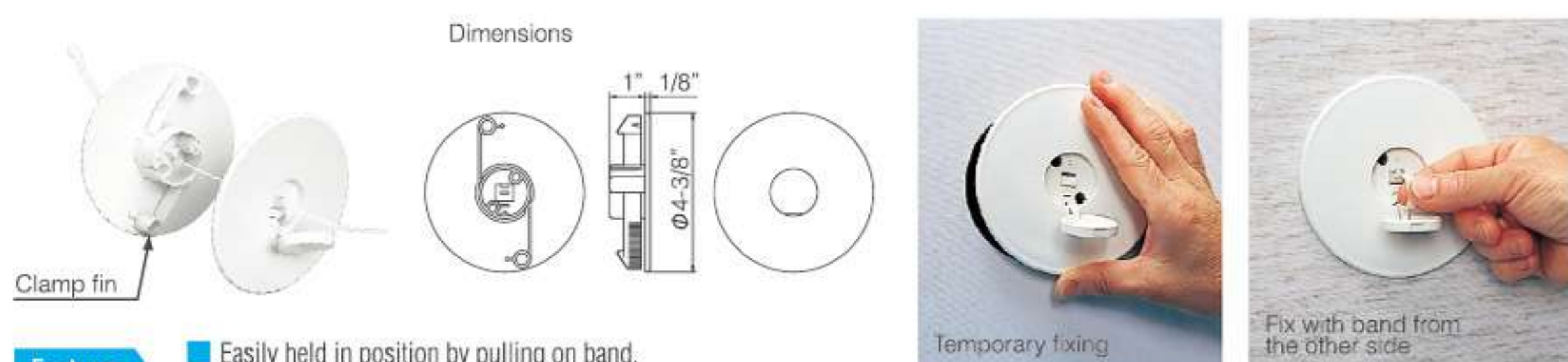


Specifications ■ Material ... ABS ■ Color ... Ivory (Silky White), White

Caution ■ Joint, fixing and penetration points must be weatherproofed with caulk or putty.

Code No.	Item No.	A	B	C	Pcs/Pkg
C 03135	AC-67-W	2-5/8"	3-5/8"	2-3/8"	50
C 03145	AC-75-W	3"	4-3/8"	2-3/4"	50
C 03155	AC-100-W	4"	5-1/8"	3-5/8"	50
C 03132	AC-67-I	2-5/8"	3-5/8"	2-3/8"	50
C 03142	AC-75-I	3"	4-3/8"	2-3/4"	50
C 03152	AC-100-I	4"	5-1/8"	3-5/8"	50

AF HOLE CAP



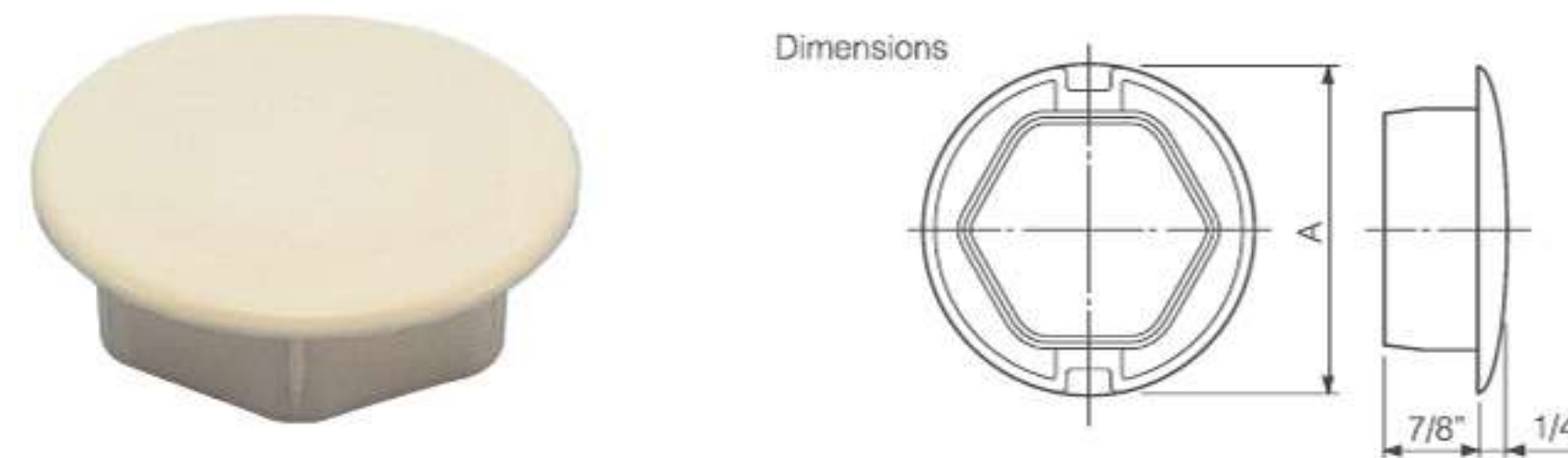
- Features**
- Easily held in position by pulling on band.
 - Clamp fin easily allows temporary positioning.

Specifications ■ Material ... PP ■ Color ... Ivory (Silky White), White

Caution ■ Caulk around outside cover to weatherproof cap.

Code No.	Item No.	Applicable hole diameter	Applicable wall thickness	Pcs/Pkg
C 03535	AF-610-W	2-3/8" - 4"	2" - 9-7/8"	50
C 03532	AF-610-I	2-3/8" - 4"	2" - 9-7/8"	50

WM WC HOLE COVER



Features ■ Use in combination with WC-60, WC-65 or WC-75.

Specifications ■ Material ... EVA ■ Color ... Ivory, White

Code No.	Item No.	Color	A	Pcs/Pkg
C 03565	WM-65-W	White	3"	100
C 03552	WM-60-I	Ivory	2-7/8"	100
C 03562	WM-65-I		3"	100
C 03572	WM-75-I		3-1/2"	100

UWC WALL CAP - Thin Type



Features ■ Use in combination with WALL SLEEVE (FP, FPW).

Specifications ■ Material ... PE ■ Color ... Ivory (Silky White)

Caution ■ Joint, fixing and penetration points must be weatherproofed with caulk or putty.

Code No.	Item No.	A	B	C (I.D.)	D (O.D.)	Pcs/Pkg
C 03262	UWC-60	3-3/8"	2-7/8"	2-1/2"	2-3/8"	200
C 03272	UWC-65	3-5/8"	3"	2-5/8"	2-1/2"	200

TAPE

UVT UV RESISTANT ADHESIVE TAPE



Specifications ■ Material ... Polyethylene

Code No.	Item No.	Size (W x L)	Color	Pcs/Pkg
C 07370	UVT-50-I	2" x 65'	Ivory	24
C 07375	UVT-25-I	1" x 65'	Ivory	48

HF ADHESIVE TAPE



Specifications ■ Material ... PVC

Code No.	Item No.	Size (W x L)	Thickness	Color	Pcs/Pkg
C 13010	HF-0191-B	3/4" x 33'	0.008"	Brown	200
C 13020	HF-0191-NI	3/4" x 33'		New Ivory	200
C 0711	HF-50	2" x 65'		Gray, White, Brown, Black, Ivory	80
C 07120	HF-50-NI	2" x 65'		New Ivory	80

HV ADHESIVE TAPE - Thin Type



Features ■ Thinner than HF series, improved flexibility allows easy installation.

Specifications ■ Material ... PVC

Code No.	Item No.	Size (W x L)	Thickness	Color	Pcs/Pkg
C 07082	HV-50-I	2" x 65'	0.007"	Ivory	80
C 07092	HV-25-I	1" x 65'	0.007"	Ivory	200

HY NON-ADHESIVE TAPE - Cling Wrap



Features ■ Specially formulated non-adhesive tape will not unroll by itself even if dropped during application. See picture on left.

Specifications ■ Material ... PVC

Code No.	Item No.	Size (W x L)	Thickness	Color	Pcs/Pkg
C 07052	HY-50-I	2" x 59'	0.005"	Ivory	120
C 07060	HY-50-NI	2" x 59'	0.005"	New Ivory	120
C 07332	HY-75-I	3" x 59'	0.005"	Ivory	80
C 07032	HS-50-I	2" x 59'	0.005"	Ivory	120
C 07342	HS-75-I	3" x 59'	0.005"	Ivory	80

HN NON-ADHESIVE TAPE



Specifications ■ Material ... PVC

Code No.	Item No.	Size (W x L)	Thickness	Color	Pcs/Pkg
C 0721	HN-50	2" x 59'	0.006"	Gray, White, Brown, Black, Ivory	120
C 07220	HN-50-NI	2" x 59'	0.006"	New Ivory	120
C 0731	HN-75	3" x 59'	0.006"	Gray, White, Black, Ivory	80
C 07232	HK-50-I	2" x 59'	0.006"	Ivory	120
C 07292	HK-75-I	3" x 59'	0.006"	Ivory	80

Ref ■ Tape color details ■ Ivory of HY, HF, HV are all similar in color to Ivory of SLIMDUCT SD Series. ■ New Ivory Color is between white and gray.

JTA INSULATION JOINT ADHESIVE TAPE

In Some Case

Linesets insulation is imposed thermal shrinkage in long direction.
Unless insulation is jointed tightly, it has some risk of condensation accidents.

POINT

Outstanding Adhesive Force.

Maintains jointing point tightly from thermal shrinkage force.

POINT

Stick and Grab Tightly.

Fits perfectly into the embossed insulation surface.

POINT

Tough and Strong.

Polyester string contained tape.



Specifications

- Material ... Aluminum foil + Polyester string contained tape (center part)
- Temperature Range ... 14°F to 140°F

Application

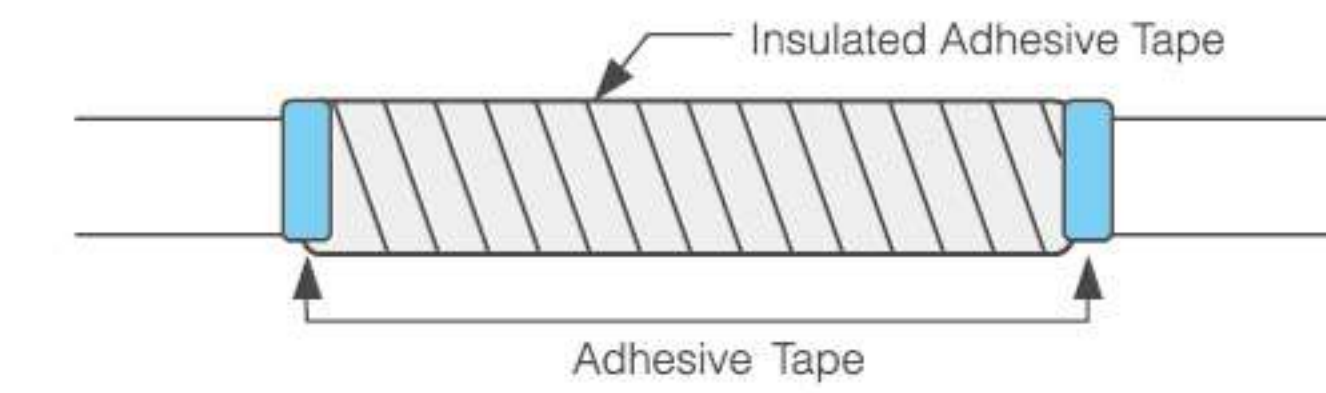
1. Remove all the dirt and dust from the surface, and joint the insulations without any gap.
2. When taping, make sure joint part of the insulation comes to the center of the tape.
3. Wrap a tape around insulation to pile up on each other at least 1/2", and press it with hands to fit into the (uneven) emboss film.



Upgraded workability by easy-peeling release paper.

Code No.	Item No.	Size (W x L)	Thickness	Color	Pcs/Pkg
C 07396	JTA-100-I	4" x 33'	0.004"	Ivory	12

DHF INSULATED ADHESIVE TAPE



Caution

- Wrap DHF after removing all the dirt and dust from the insulation surface.
- Fix both ends of insulated adhesive tape by adhesive tape to prevent insulated adhesive tape from peeling off.

Features

- Suitable for condensation prevention at pipe jointing part or damaged insulation points.
- With released paper to keep adhesive power.

Specifications

- Material ... Chemical cross-linked 30 times foamed polyethylene (JIS A9511 A-PE-C-2 Standard / Insulation thermal resistance up to 248°F)

Code No.	Item No.	Size (W x L)	Insulation thickness	Color	Pcs/Pkg
C 07360	DHF-50-LG	2" x 10'	0.16"	Light Gray	60

DHV INSULATED ADHESIVE TAPE – Thin Type



Features

- Can be used easily in several ways to prevent condensation, such as for partial additional taping because this tape itself is made by insulation material.

Specifications

- Material ... Chemical cross-linked 30 times foamed polyethylene. (JIS A9511 A-PE-C-1 Standard / Insulation thermal resistance up to 158°F)

Caution

- Fix both ends of insulated adhesive tape by adhesive tape to prevent insulated adhesive tape from peeling off.
- Keep away from direct sunshine and keep at cool place.

Code No.	Item No.	Size (W x L)	Insulation thickness	Pcs/Pkg
C 07361	DHV-05010	2" x 33'	0.12"	12
C 07362	DHV-05020	2" x 65'	0.12"	12
C 07363	DHV-07510	3" x 33'	0.12"	8
C 07364	DHV-07520	3" x 65'	0.12"	8
C 07365	DHV-10010	4" x 33'	0.12"	6
C 07366	DHV-10020	4" x 65'	0.12"	6

AP SEALANT PUTTY



Features

- All weather, flame retardant non-drying putty with superior adhesion.
- Temperature range: -4°F - 122°F
- Working temperature: 41°F - 104°F
- *Putty will harden below 41°F, always heat before use at this temperature.

Caution

- Oil in putty may stain paint or wallpaper if in direct contact.
- Use WALL CAP (WC) or A/C CAP (AC) to separate putty from wall surface.

1. Open the bag and take out the putty.
2. Knead the putty by hand.
3. Stuff the putty.

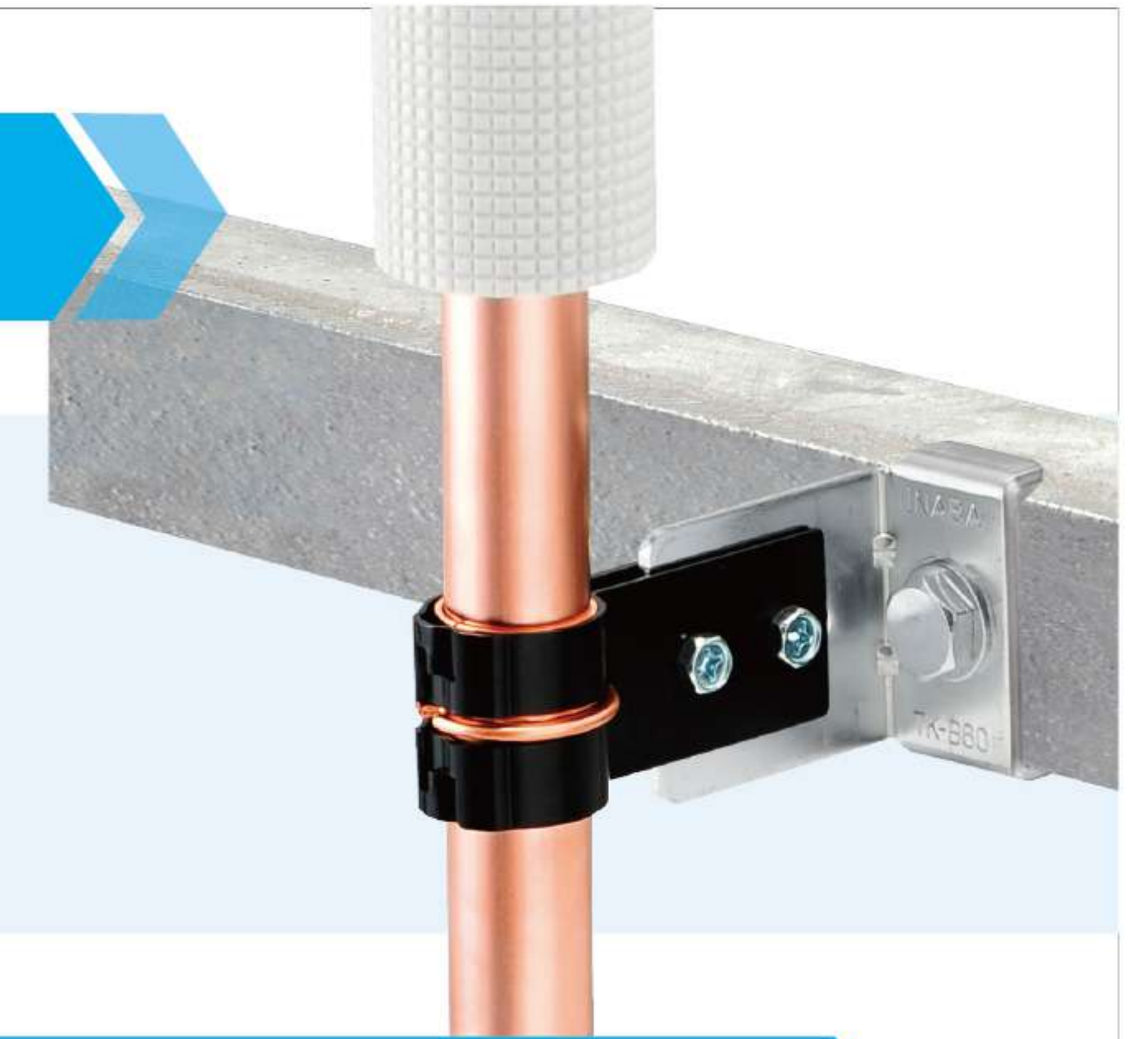


Code No.	Item No.	Color	Contents	Pcs/Pkg
C 0601	AP-200	Gray, Ivory, White	7 oz	100
C 0602	AP-1000		35 oz	20

PIPE SUPPORT SYSTEM

VERTICAL LINESET SUPPORT

Vertical lineset installations are always subject to severe stress due to a combination of thermal expansion and gravity, usually resulting in buckling and deformation of the fittings at the lower end of each pipe run. NOW THERE IS A WAY TO SOLVE THIS PROBLEM. LinesetSupport eliminates buckling of the elbow fitting at the bottom of the vertical lineset.



Features

Reduces gravity load on vertical lineset.

Unlike a conventionally supported vertical installation, LinesetSupport is brazed onto the vertical lineset riser and reduces the load created by the weight of the lineset system.

Caution Do not use onto vertical risers over 164 feet and ensure that LinesetSupport ferrule is brazed on during installation. (To use onto vertical risers over 164 feet, contact Inaba Denko or distributors.)

Reduces extra stress on vertical lineset due to thermal expansion by 50%.

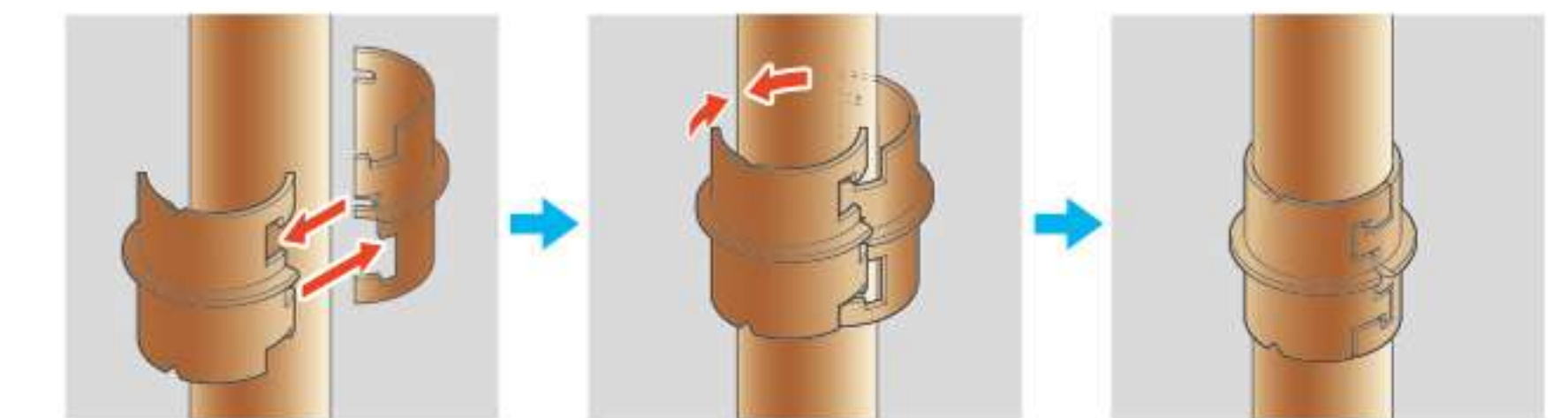
In conventional installations, the lowest elbow of the vertical system carries the full load of the lineset itself plus the extra stresses imposed by thermal expansion. Installing LinesetSupport onto the midpoint of the vertical riser reduces the load created by the system components as well as the thermal expansion by 50%.

Compatible with all lineset sizes.

Full range covers all sizes from 1/4" to 2-1/4". Precision engineered high grade copper ferrules are fully compatible with all lineset sizes.

Applied after installation of lineset system.

Split ferrule design makes it easy to retrofit existing lineset installations.



Temporary fixed.

Tab on ferrule allows temporary fixing to facilitate brazing without slippage.

Easily adjustable.

Slotted holes on bracket allow precise adjustments.

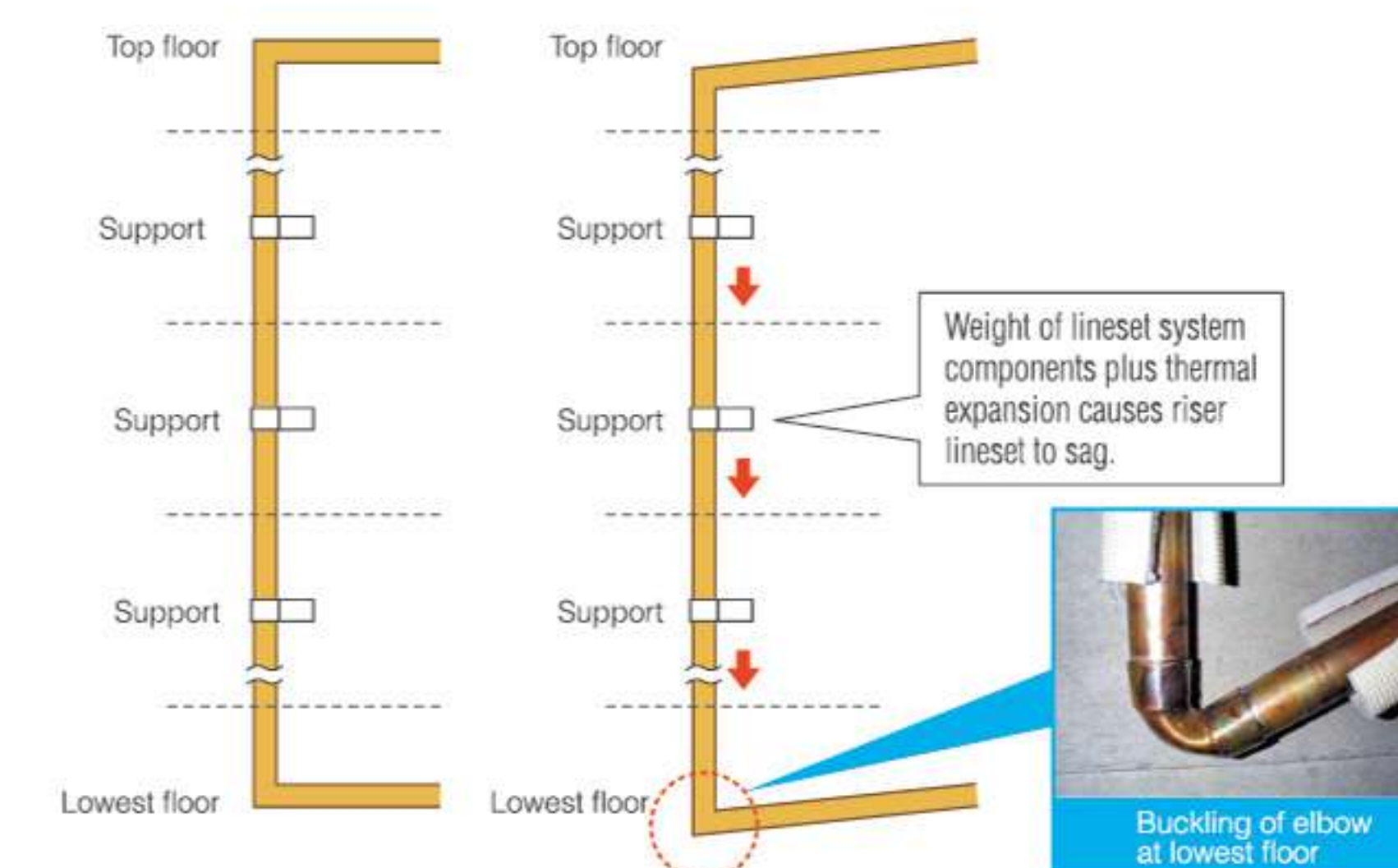
Exclusive insulation technology.

Optional insulation eliminates thermal loss.

Caution

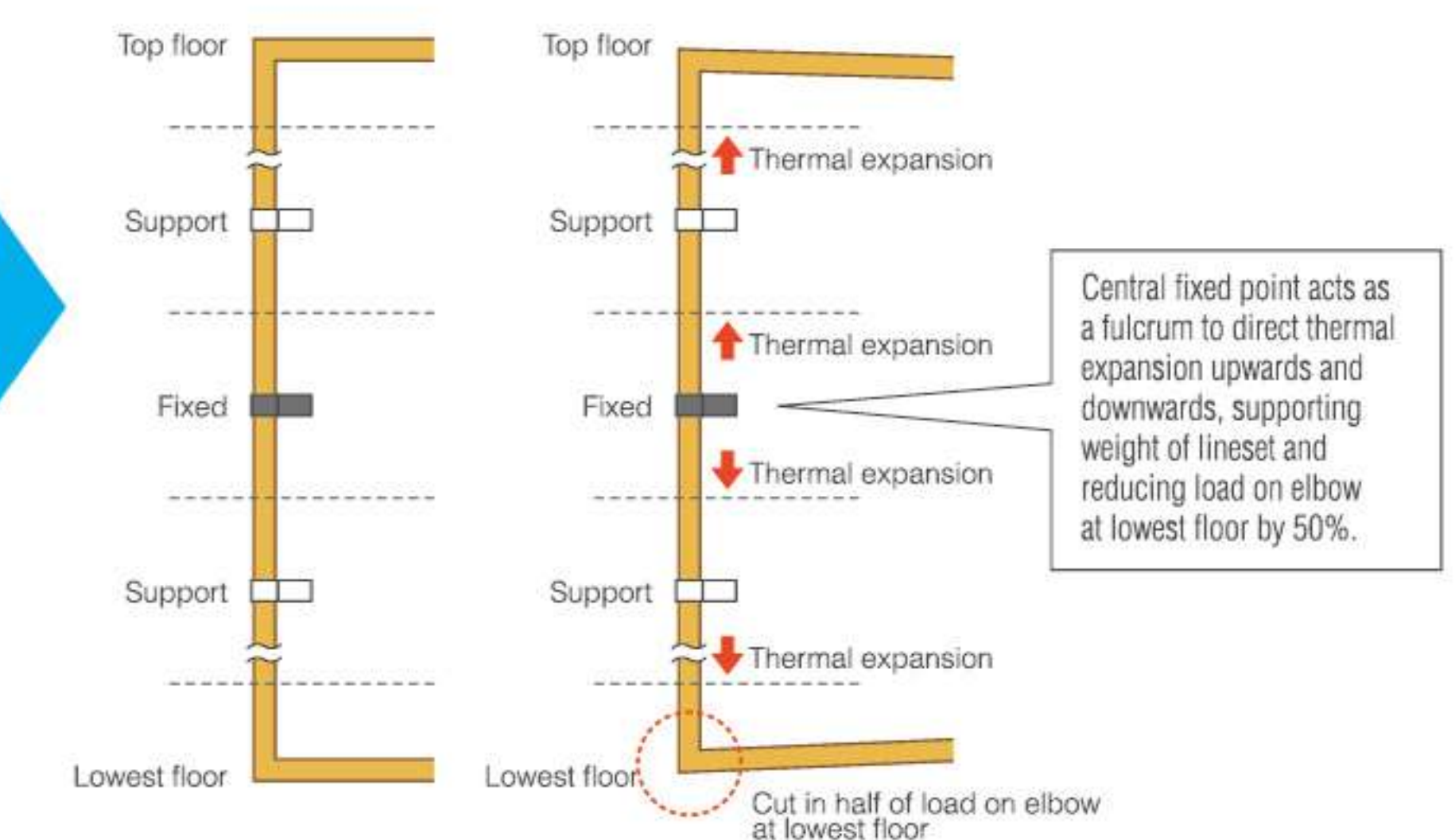
- LinesetSupport is designed for use ONLY in AC lineset systems. THE TK SERIES IS DESIGNED FOR USE ONLY IN AIR CONDITIONING LINESET SYSTEMS.
- Make sure to install LinesetSupport with the exclusive bracket (TK-U, TK-K, TK-B) to ensure optimum performance.
- For further information or before installation, refer to LinesetSupport Installation Manual.

Conventional Installation



Load is transferred to lowest elbow on riser causing it to become compressed and buckled.

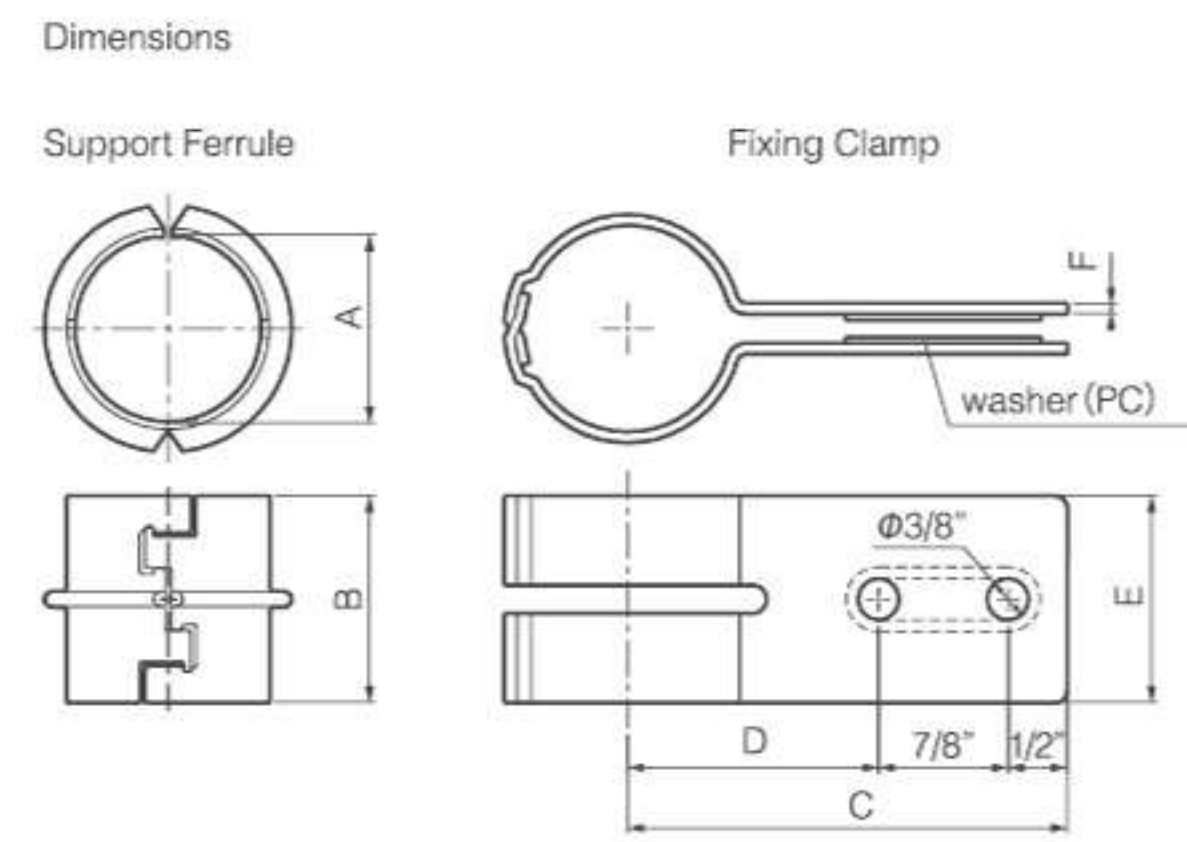
Installation with LinesetSupport



*Illustration is Line Art. When using LinesetSupport, provision for thermal expansion is still required.

TK/TK-ZA LinesetSupport <Support Ferrule & Fixing Clamp>

Stress Relieving Bracket/Clamp System for vertical lineset in AC systems



By using a high corrosion resistant hot dip galvanized steel, corrosion resistance improved!



For outdoor use

Specifications

- Material Support Ferrule: Body ... C1220 Hook ... SUS301-CSP
- Fixing Clamp: TK ... SPHC (Powder coated) TK-ZA ... ZAM (High Grade Corrosion Resistant Hot Dip Galvanized Steel Sheet ZAM)
- Attached Screw TK Hex bolt M6 x 7/8" L... 2 pcs (Unichrome) Hex nut M6... 2 pcs (Unichrome) TK-ZA Hex bolt M6 x 7/8" L... 2 pcs (Stainless) Hex nut M6... 2 pcs (Stainless) Plain washer M6... 2 pcs (Stainless)

Code No.	Item No.	Compliant pipe size	A	B,E	C	D	F	Pcs/Pkg
C 51763	TK-3K*	3/8"	1/2"	1-1/2"	2-1/2"	1-1/4"	0.04"	20
C 51764	TK-4K	1/2"	5/8"		2-5/8"	1-3/8"	0.06"	
C 51765	TK-5K	5/8"	3/4"		2-5/8"	1-3/8"		
C 51766	TK-6K	3/4"	7/8"		2-3/4"	1-1/2"		
C 51767	TK-7K	7/8"	1"		2-3/4"	1-1/2"		
C 51768	TK-8K	1"	1-1/8"		2-7/8"	1-5/8"		
C 51769	TK-9K	1-1/8"	1-1/4"	2-7/8"	1-5/8"	0.08"		
C 51770	TK-10K	1-1/4"	1-3/8"	3"	1-3/4"			
C 51771	TK-11K	1-3/8"	1-1/2"	3-1/8"	1-7/8"			
C 51772	TK-12K	1-1/2"	1-5/8"	3-1/8"	1-7/8"			
C 51773	TK-13K	1-5/8"	1-3/4"	3-1/4"	2"			
C 51774	TK-14K	1-3/8"	1-7/8"	3-1/4"	2"			
C 51776	TK-16K	2"	2-7/8"	3-3/8"	2-1/8"	0.08"		
C 51777	TK-17K	2-1/4"	2-1/4"	3-1/2"	2-1/4"			

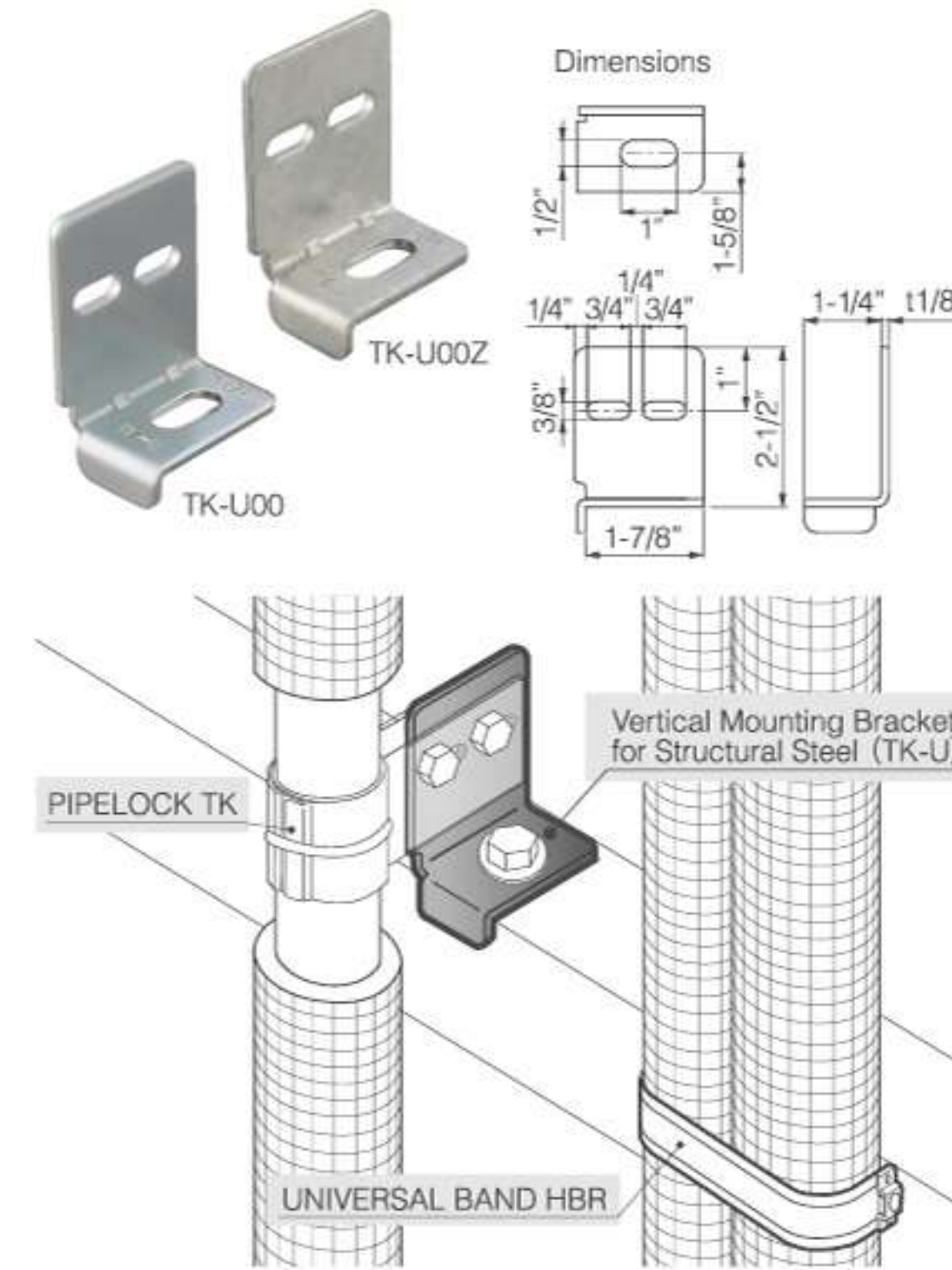
*TK-3K is different from other sizes in shape and installation method.

Code No.	Item No.	Compliant pipe size	A	B,E	C	D	F	Pcs/Pkg
C 51883	TK-3K-ZA*	3/8"	1/2"	1-1/2"	2-1/2"	1-1/4"	0.04"	20
C 51884	TK-4K-ZA	1/2"	5/8"		2-5/8"	1-3/8"	0.06"	
C 51885	TK-5K-ZA	5/8"	3/4"		2-5/8"	1-3/8"		
C 51886	TK-6K-ZA	3/4"	7/8"		2-3/4"	1-1/2"		
C 51887	TK-7K-ZA	7/8"	1"		2-3/4"	1-1/2"		
C 51888	TK-8K-ZA	1"	1-1/8"		2-7/8"	1-5/8"		
C 51889	TK-9K-ZA	1-1/8"	1-1/4"	2-7/8"	1-5/8"	0.08"		
C 51890	TK-10K-ZA	1-1/4"	1-3/8"	3"	1-3/4"			
C 51891	TK-11K-ZA	1-3/8"	1-1/2"	3-1/8"	1-7/8"			
C 51892	TK-12K-ZA	1-1/2"	1-5/8"	3-1/8"	1-7/8"			
C 51893	TK-13K-ZA	1-5/8"	1-3/4"	3-1/4"	2"			
C 51894	TK-14K-ZA	1-3/8"	1-7/8"	3-1/4"	2"			
C 51896	TK-16K-ZA	2"	2-7/8"	3-3/8"	2-1/8"	0.08"		
C 51897	TK-17K-ZA	2-1/4"	2-1/4"	3-1/2"	2-1/4"			

*TK-3K-ZA is different from other sizes in shape and the installation method.

TK-U VERTICAL MOUNTING BRACKET FOR STRUCTURAL STEEL

For reduced clearance from wall surface.



Code No.	Item No.	Pcs/Pkg
C 51860	TK-U00	100

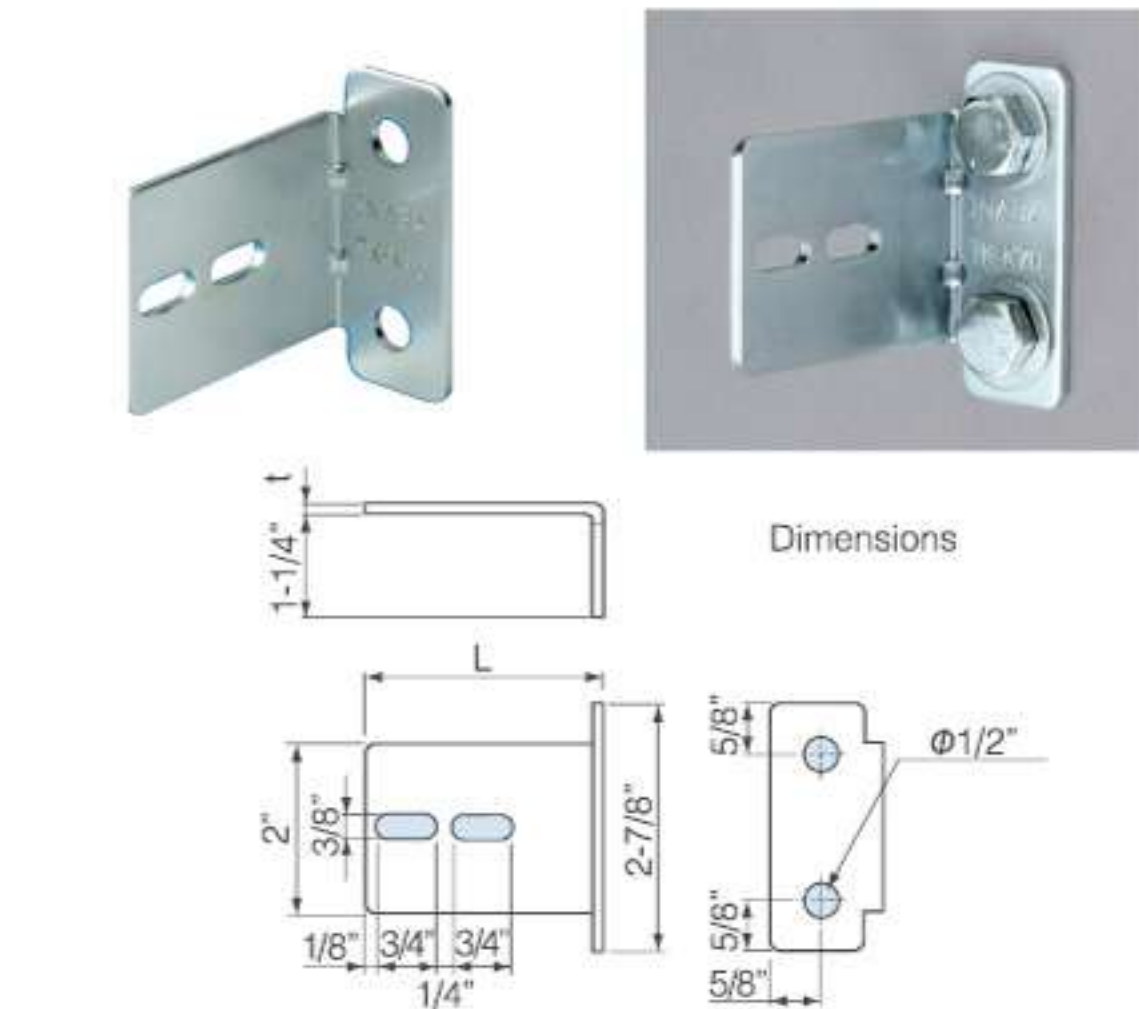
Specifications Material ... SPHC(Unichrome)

Hot-Dip Galvanized Type

Code No.	Item No.	Pcs/Pkg
C 51861	TK-U00Z	100

Specifications Material ... SPHC (Hot-dip galvanized equivalent to HDZ35)

TK-K DIRECT MOUNT HORIZONTAL WALL BRACKET



Indoor Use Type

Code No.	Item No.	L	t	Pcs/Pkg
C 51840	TK-K60	2-3/8"	1/8"	100
C 51841	TK-K70	2-7/8"		
C 51842	TK-K80	3-1/4"		
C 51843	TK-K90	3-5/8"		
C 51844	TK-K100	4"		

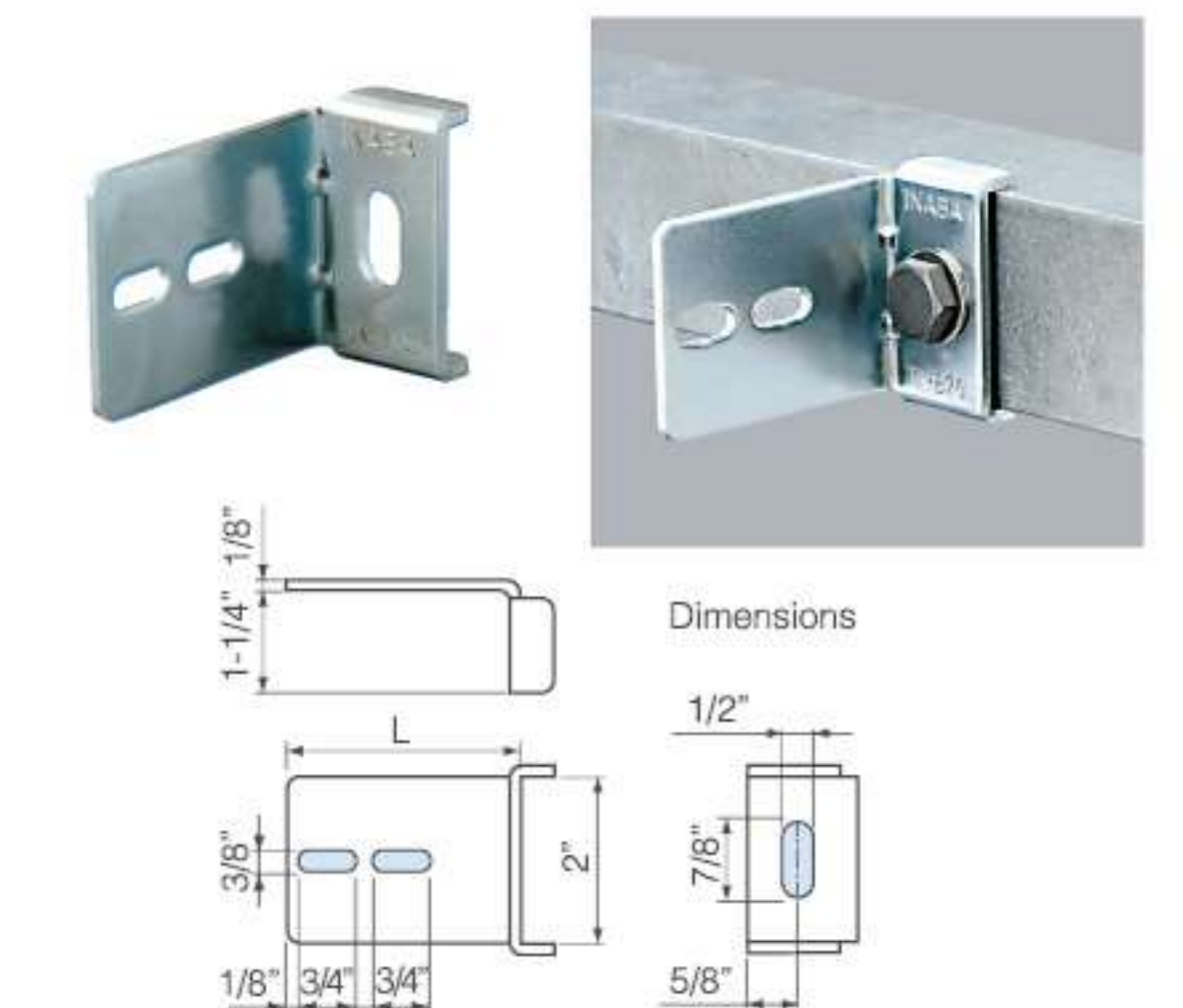
Specifications Material ... SPHC (Unichrome)

Outdoor Use Type

Code No.	Item No.	L	t	Pcs/Pkg
C 51850	TK-K60-SUS	2-3/8"	1/8"	100
C 51851	TK-K70-SUS	2-7/8"		
C 51852	TK-K80-SUS	3-1/4"		
C 51853	TK-K90-SUS	3-5/8"		
C 51854	TK-K00-SUS	4"		

Specifications Material ... SUS304

TK-B UNIVERSAL HORIZONTAL BRACKET



Code No.	Item No.	L	Pcs/Pkg
C 51820	TK-B60	2-3/8"	100
C 51821	TK-B70	2-7/8"	
C 51822	TK-B80	3-1/4"	
C 51823	TK-B90	3-5/8"	
C 51824	TK-B100	4"	

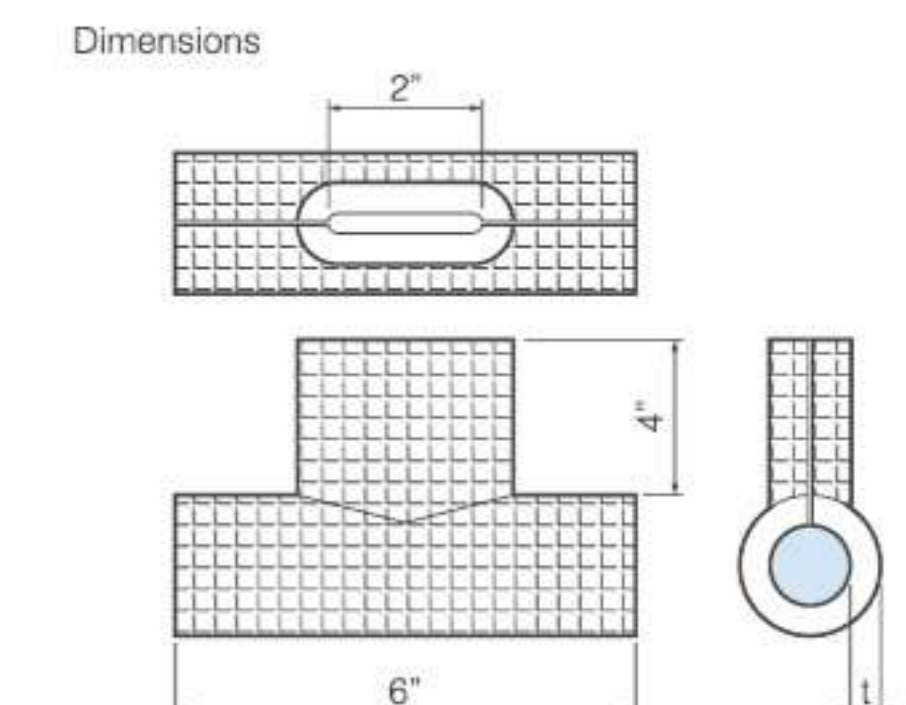
Specifications Material ... SPHC (Unichrome)

Hot-Dip Galvanized Type

Code No.	Item No.	L	Pcs/Pkg
C 51826	TK-B60Z	2-3/8"	100
C 51827	TK-B70Z	2-7/8"	
C 51828	TK-B80Z	3-1/4"	
C 51829	TK-B90Z	3-5/8"	
C 51830	TK-B100Z	4"	

Specifications Material ... SPHC (Hot-dip galvanized equivalent to HDZ35)

TK-H INSULATION



Code No.	Item No.	Compliant PIPELOCK TK	Insulation thickness (t)
C 51783	TK-3SH	TK-3K	3/8"
C 51784	TK-4SH	TK-4K	
C 51785	TK-5SH	TK-5K	
C 51786	TK-6SH	TK-6K	
C 51787	TK-7SH	TK-7K	
C 51788	TK-8SH	TK-8K	
C 51789	TK-9SH	TK-9K	
C 51790	TK-10SH	TK-10K	
C 51791	TK-11SH	TK-11K	
C 51792	TK-12SH	TK-12K	
C 51793	TK-13SH	TK-13K	
C 51794	TK-14SH	TK-14K	
C 51796	TK-16SH	TK-16K	
C 51797	TK-17SH	TK-17K	

Code No.	Item No.	Compliant PIPELOCK TK	Insulation thickness (t)
C 51803	TK-3DH	TK-3K	7/8"
C 51804	TK-4DH	TK-4K	
C 51805	TK-5DH	TK-5K	
C 51806	TK-6DH	TK-6K	
C 51807	TK-7DH	TK-7K	
C 51808	TK-8DH	TK-8K	
C 51809	TK-9DH	TK-9K	
C 51810	TK-10DH	TK-10K	
C 51811	TK-11DH	TK-11K	
C 51812	TK-12DH	TK-12K	
C 51813	TK-13DH	TK-13K	
C 51814	TK-14DH	TK-14K	
C 51816	TK-16DH	TK-16K	
C 51817	TK-17DH	TK-17K	

Specifications Material ... Chemically cross linked polyethylene foam with an expansion factor of 30 enclosed by a plastic film with an embossed surface.

HORIZONTAL PIPE SUPPORT

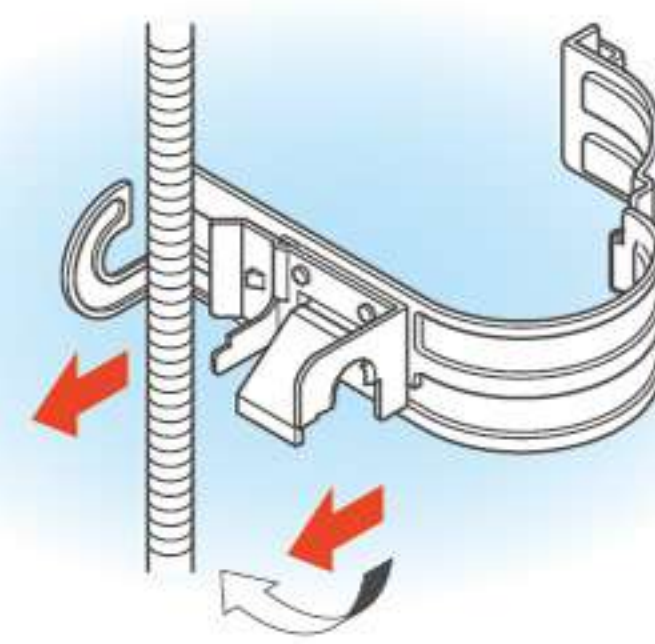
QUICK, EASY and SENSIBLE installation by One-Touch clip onto W3/8" threaded rod.



QUICK

One-touch clip onto W3/8" threaded rod

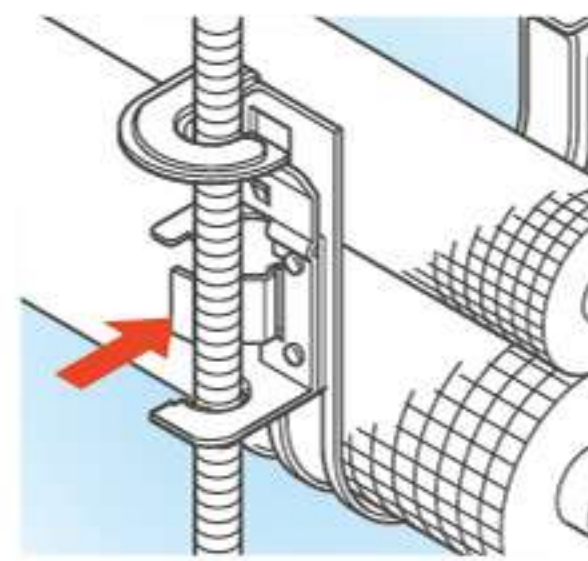
One-touch clip saves time without tools nor nuts. A few seconds are required to attach.



EASY

Level adjustable

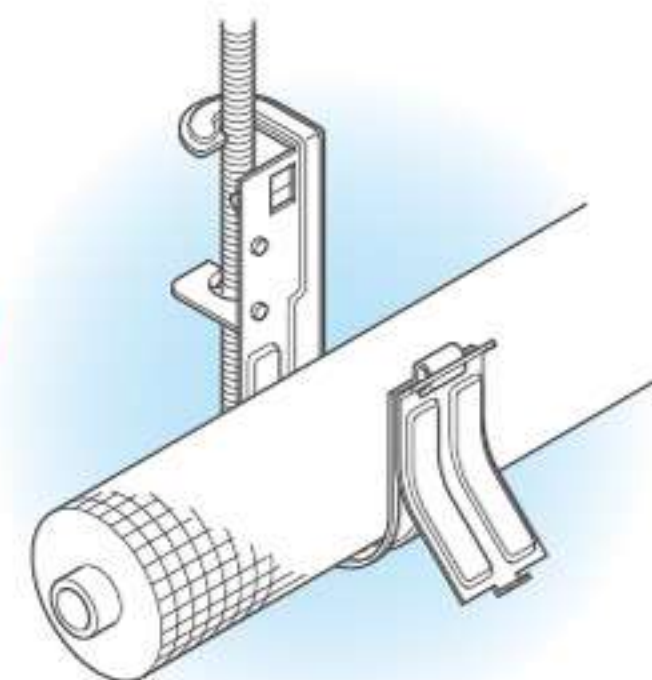
It is securely fixed and never falls off, but easy to adjust the level by pushing the lever. It enables to make perfect horizontal or sloped installation.



SENSIBLE

Temporary placement of piping

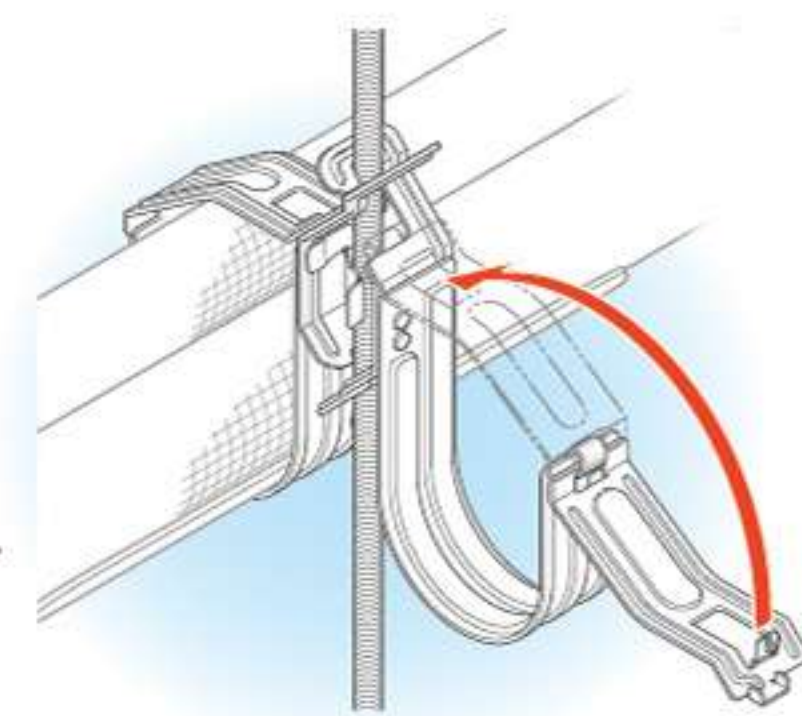
Hinge mechanism allows temporary placement of piping.



SPACE-SAVING

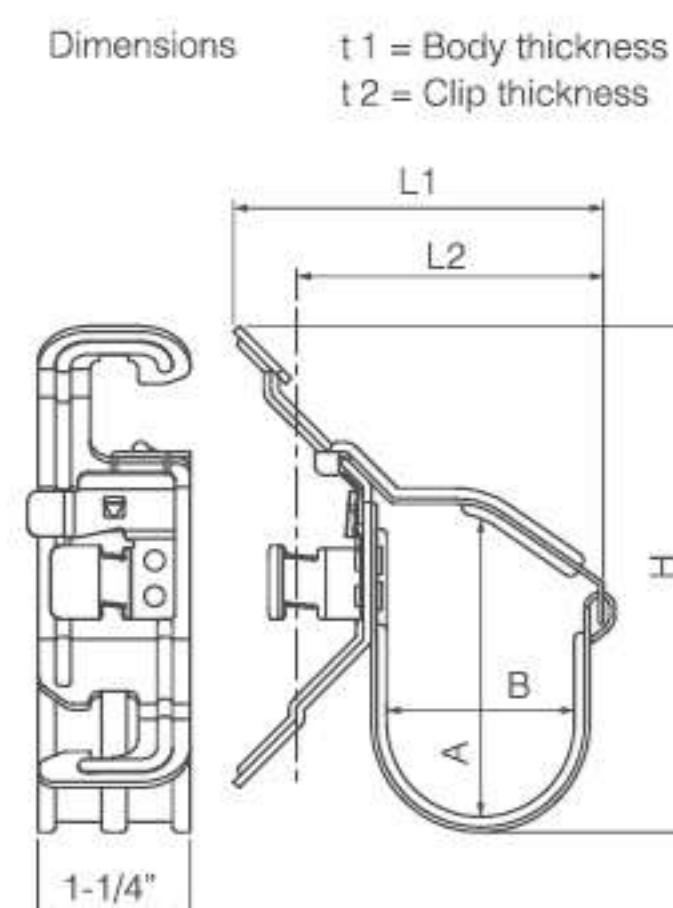
"Back to Back" installation

It enables installation in space-saving by "back to back".



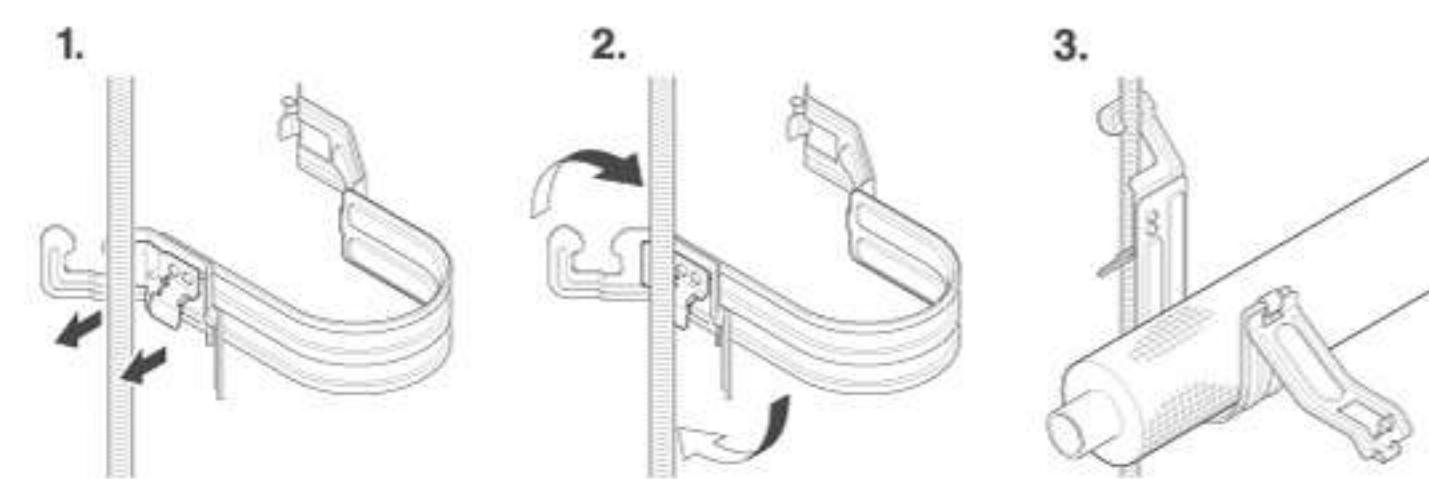
SRV SUPERLOCK V TYPE

Onto W3/8" threaded rod



- Application** Supports pipe by attaching onto W3/8" threaded rod.
- Features**
 - SUPERLOCK Clamp quickly snaps onto threaded rod.
 - Hinge mechanism permits temporary fixing.
 - Easy level adjustment by rotating clamp on threaded rod.
- Specifications** Steel with SPCC (Unichrome) plating.
- Caution**
 - For indoor use only.
 - Use only with W3/8" threaded rod.

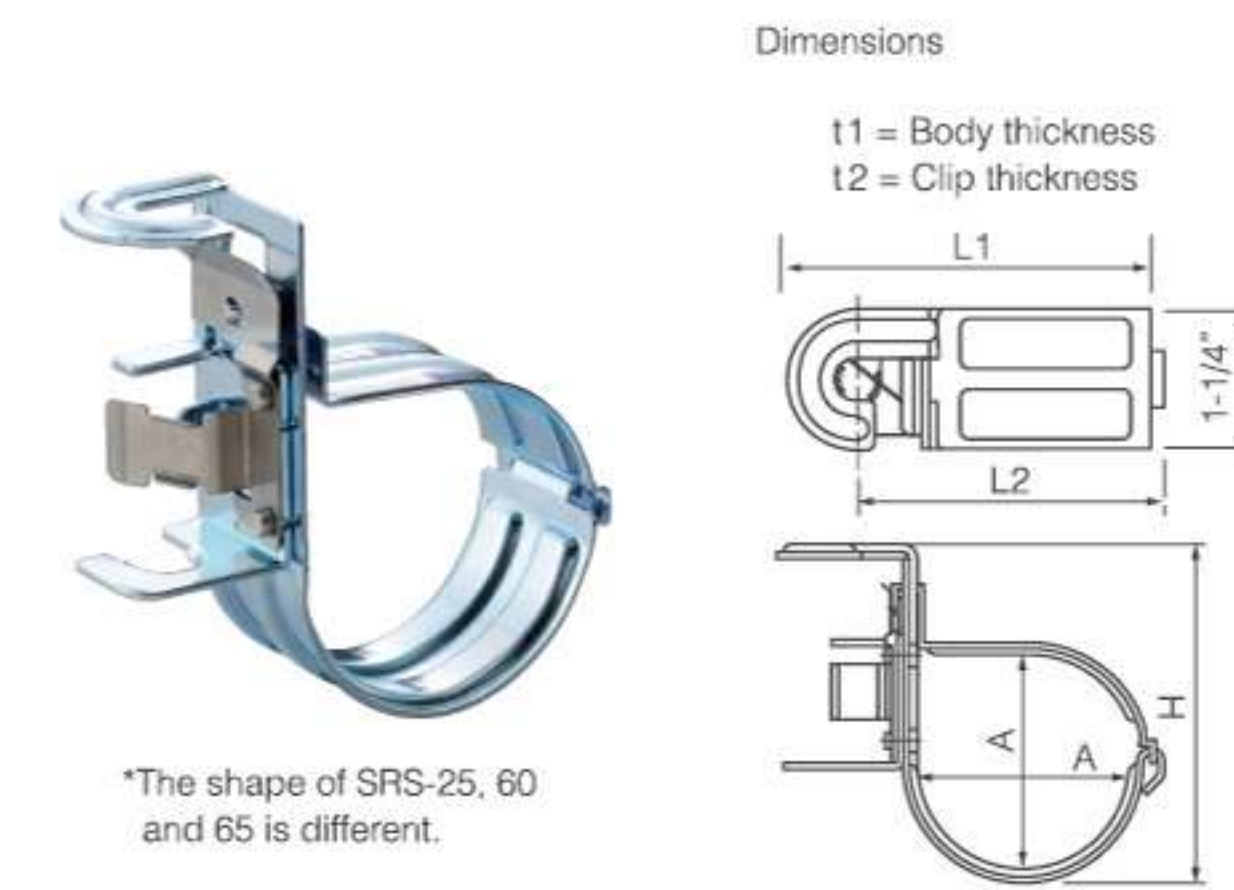
Installation Procedure



Code No.	Item No.	Allowable static load	Dimensions (inch)					Body thickness (t1)	Clip thickness (t2)	Pcs/Pkg
			L1	L2	H	A	B			
C 56220	SRV-24B	196N (44lbs)	2-7/8"	2-3/8"	3-3/4"	2-3/8"	1-1/2"	0.04"	0.04"	100
C 56230	SRV-35B		2-7/8"	2-3/8"	4"	2-3/4"	1-1/2"			100
C 56240	SRV-46B		3"	2-1/2"	4-1/2"	3"	1-5/8"			100
C 56250	SRV-58B		3-3/8"	2-7/8"	4-7/8"	3-3/8"	2-1/8"			100
C 56260	SRV-69B		3-3/8"	2-7/8"	5-1/8"	3-5/8"	2-1/8"			100
C 56270	SRV-710B		3-3/4"	3-1/4"	5-1/8"	3-3/4"	2-1/2"			50
C 56280	SRV-811B		3-3/4"	3-1/4"	5-1/2"	4-1/8"	2-1/2"			50
C 56290	SRV-912B		3-3/4"	3-1/4"	5-3/4"	4-3/8"	2-1/2"			50
C 56295	SRV-1012B		4-1/8"	3-5/8"	6-1/8"	4-3/4"	2-7/8"			50
C 56300	SRV-1114B		4-1/2"	4"	6-3/8"	4-7/8"	3-1/4"			50

SRS SUPERLOCK S TYPE

Onto W3/8" threaded rod



*The shape of SRS-25, 60 and 65 is different.

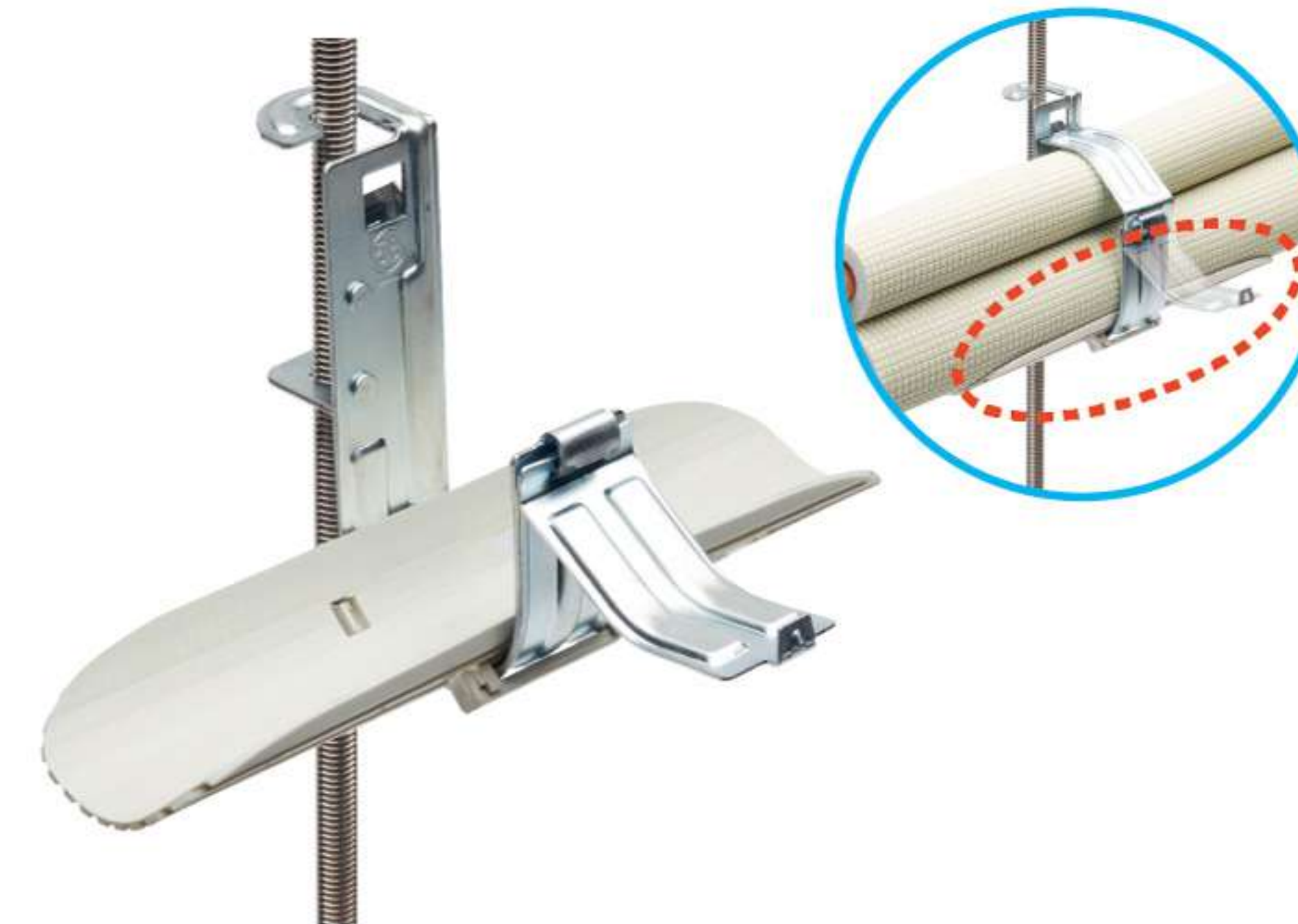
Code No.	Item No.	Allowable static load	Dimensions					Body thickness (t1)	Clip thickness (t2)	Pcs/Pkg
			L1	L2	H	A				
C 55890	SRS-25	196N (44lbs)	3"	2-3/8"	3-1/4"	1-3/8"	0.05"	0.04"	100	
C 55930	SRS-30		3"	2-1/2"	3-1/4"	1-1/2"			50	
C 55900	SRS-35		3-1/4"	2-3/4"	3-3/8"	1-3/4"			50	
C 55910	SRS-40		3-3/8"	2-7/8"	3-3/8"	2"			50	
C 55940	SRS-45		3-5/8"	3-1/8"	3-1/2"	2-1/8"			50	
C 55920	SRS-50		3-9/8"	3-3/8"	3-5/8"	2-3/8"	50			
C 55960	SRS-60		4-1/4"	3-3/4"	3-7/8"	2-3/4"	50			
C 55950	SRS-65		4-3/4"	4-1/4"	5"	3-1/4"	50			

- Application** Supports pipe by attaching onto W3/8" threaded rod.
- Specifications** Steel with SPCC (Unichrome) plating.

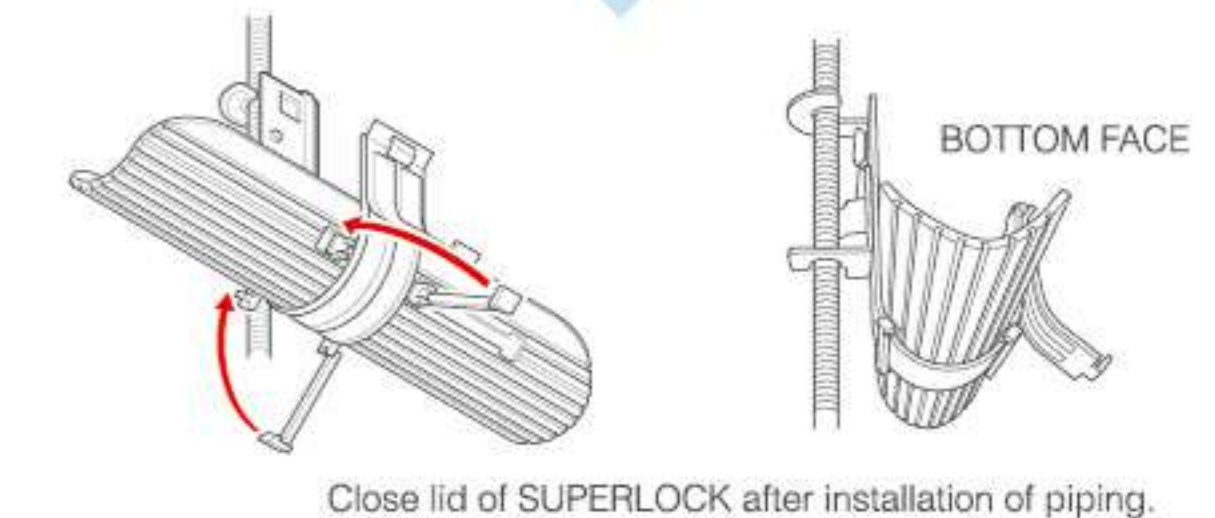
- Features**
 - SUPERLOCK Clamp quickly snaps onto threaded rod.
 - Hinge mechanism permits temporary fixing.
 - Easy level adjustment by rotating clamp on threaded rod.
- Caution**
 - For indoor use only.
 - Use only with W3/8" threaded rod.

Optional parts for hanger support

SR-HGB INSULATION PROTECTION PLATE for SUPERLOCK



Slide SR-HG to the bottom of SUPERLOCK by passing the hinge part of SUPERLOCK between two nails on the back side of SR-HG.



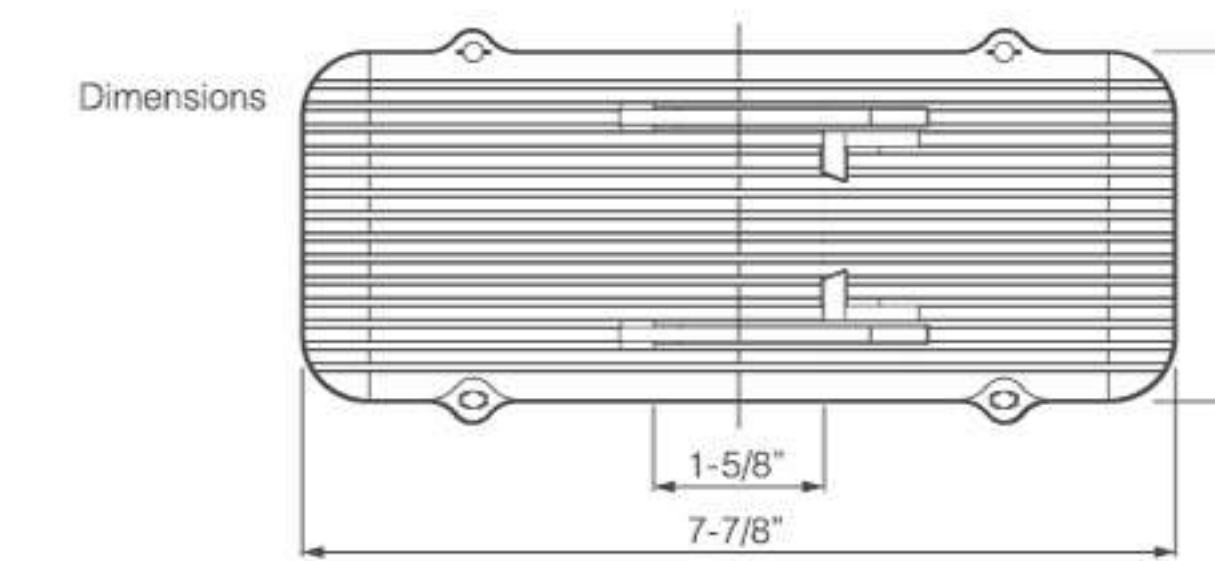
Close lid of SUPERLOCK after installation of piping.

- Features**
 - Protects insulation from deforming.
 - Flexible only in the width direction. The plate has ribs at backside and is hard to bend in the length direction.
 - Applicable to all sizes of SUPERLOCK (SRV, SRS).
 - Easy piping work because the round edge of SR-HG enables pipes to run on it smoothly.

- Specifications**
 - Material ... PP
 - Color ... Ivory
- Caution**
 - For indoor use only.

Code No.	Item No.	Pcs/Pkg
C 60780	SR-HGB	200

TB-HG INSULATION PROTECTION PLATE for Hanger



- Specifications**
 - Material ... PP
 - Color ... Ivory

Code No.	Item No.	Size	Pcs/Pkg
C 60790	TB-HG	Regular	200
C 60791	TB-HGL	Large	100

SR-WS CABLE HANGER SUPPORT

Onto W3/8" threaded rod & SUPERLOCK

Plastic material eliminates damage of cable insulation.

One - Touch Easy Lock
Lock function prevents falling off.

Applicable to both W3/8" threaded rod and SUPERLOCK.

Temporary placement makes cable installation easier.

W3/8" threaded rod with SR-WS
INABA MARK in vertical direction
Fix by round shaped clip in the front

SUPERLOCK with SR-WS
INABA MARK in horizontal direction
Fix by flat shaped clip in the back

Dimensions: 5/16", 1-5/8", 1-1/8", 7/8"

Code No.	Item No.	Applicable cable	Applicable	Pcs/Pkg
C 60800	SR-WS	Round cable $\Phi 3/8"$ Max. Flat cable 2 cores $0.33" \times 0.57"$ Max. 3 cores $0.30" \times 0.67"$ Max.	SUPERLOCK W3/8" threaded rod	100

- Specifications**
- Material ... PP
 - Color ... Gray
- Caution**
- Do not use with round bar.
 - Follow the laws and technical standards of electric equipment in your country about the interval of cable support, etc.
 - Do not install SR-WS under the ultra violet ray.

PL PIPEHOOK

Onto W3/8" threaded rod

By temporary stop release lever

One-Touch Easy Lock

Light & Tough

Dimensions: A, B, C, D

Code No.	Item No.	Dimensions				Allowable static load	Temperature range	Material	Color	Pcs/Pkg
		A	B	C	D					
C 60180	PL-24V	4-5/8"	3-3/4"	4"	1-3/8"	74.5N (17lbs)	32°F - 140°F	PP	Gray	100
C 60190	PL-35V	5"	4"	4-1/8"	1-3/8"					100

- Application**
- Supports pipe by attaching onto w3/8" threaded rod.
- Specifications**
- Material ... PP
- Caution**
- Use only with W3/8" threaded rod.

ZC3-W MAKEUP CAP FOR THREADED ROD

Dimensions: 3/8"

Features

- Cut-line on backside enables to install alongside the wall.

Specifications

- Material ... PP
- Color ... White

Caution

- Use only with W3/8" threaded rod.

Cut-line (backside)

Code No.	Item No.	Pcs/Pkg
C 03715	ZC3-W	200

SADDLE

KS SINGLE SADDLE

KS-20-I, KS-24-I

Dimensions: $\Phi 1/4"$, 7/8", 3/4"

Specifications

- Material ... PE
- Color ... Ivory

Code No.	Item No.	Effective Inside Diameter	Pcs/Pkg
C 05012	KS-20-I	$\Phi 1-5/8"$ - $\Phi 1-7/8"$	1000
C 05102	KS-24-I	$\Phi 1-1/2"$ - $\Phi 2"$	500

VES DOUBLE SADDLE

Dimensions: $\Phi 1/4"$, C, B, A, 7/8"

Specifications

- Material ... PP (Indoor use)
- Color ... Ivory

Code No.	Item No.	A	B	C	Pcs/Pkg
C 06572	VES-28N-I	2-5/8"	1-3/8"	2-1/8"	200
C 05030	VES-36-I	3-7/8"	1-3/4"	3"	200
C 05040	VES-42-I	4-1/4"	2"	3-3/8"	200

VS DOUBLE SADDLE

Dimensions: $\Phi 1/4"$, C, B, A, D, 7/8"

Specifications

- Material ... PP (Indoor use)
- Color ... Ivory

Code No.	Item No.	A	B	C	D	Pcs/Pkg
C 06532	VS-14	2-1/4"	3/4"	1-7/8"	5/8"	500
C 06542	VS-16	2-1/2"	7/8"	1-7/8"	5/8"	500
C 06552	VS-22	2-5/8"	1-1/8"	2-1/8"	3/4"	300
C 06562	VS-25	2-7/8"	1-3/8"	2-1/4"	3/4"	300

DSV SINGLE SADDLE

Dimensions: $\Phi 1/4"$, 3/8", 3/4", A, B, D, 7/8"

Specifications

- Material ... PP (Indoor use)
- Color ... Ivory

Code No.	Item No.	A	B	C	D	Pcs/Pkg
C 06700	DSV-14	3/4"	7/8"	3/4"	1-7/8"	500
C 06710	DSV-16	1"	1-1/8"	7/8"	2"	500

DS DRAIN HOSE SADDLE

Dimensions: $\Phi 1/4"$, 3/8", 3/4", A, B, C, D, 7/8"

Specifications

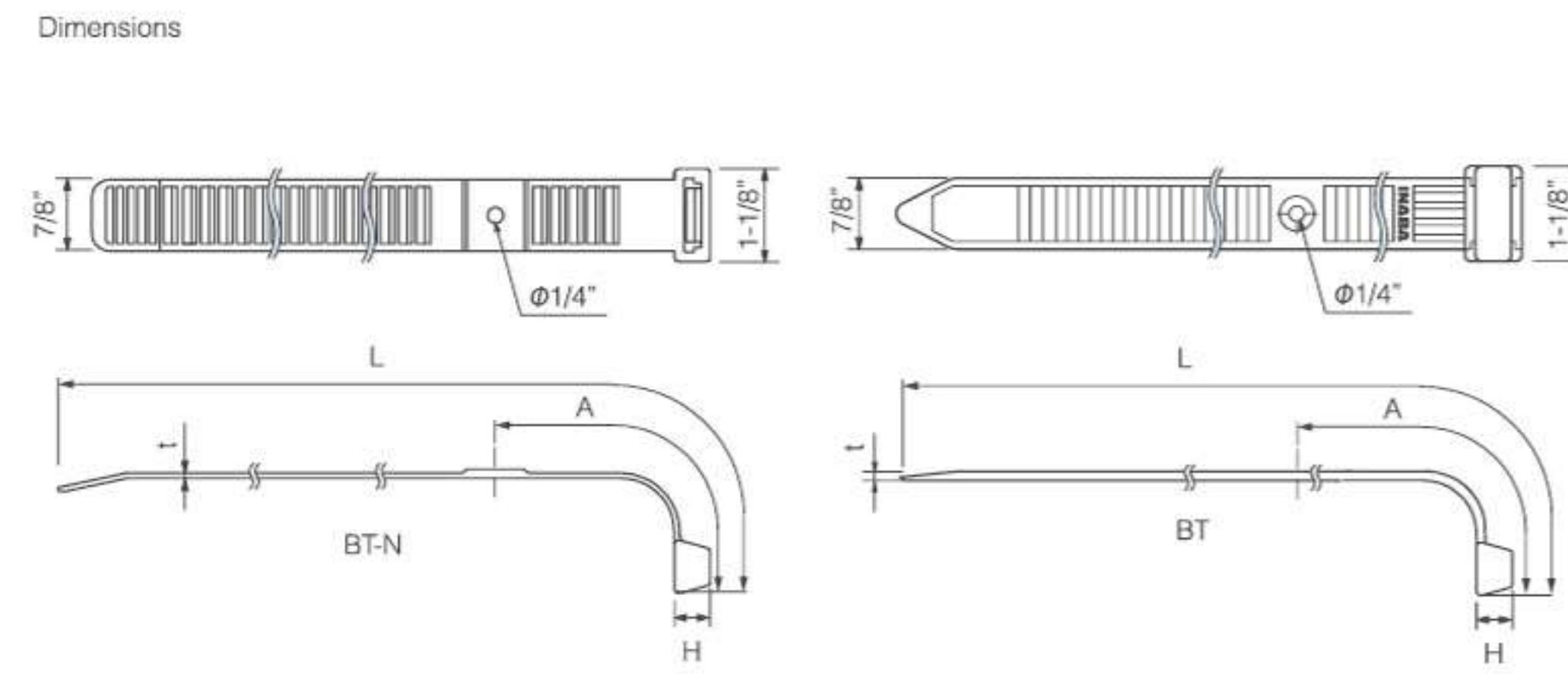
- Material ... PP (Indoor use)
- Color ... Ivory

Features

- Use only with drain hose - attractive, compact and quick fitting.
- Much easier installation than conventional product.
- Superior in weather resistant and ivory color never spoil beautiful appearance.
- Really compact due to exclusive use for drain hose.

Code No.	Item No.	Compliant Drain Hose	A	B	C	D	Pcs/Pkg
C 08142	DS-14-I	DH-14, DHQ-14	3/4"	1"	3/4"	1-5/8"	500
C 08152	DS-16-I	DH-16, DHQ-16	7/8"	1-1/8"	7/8"	1-3/4"	500

BT BIGTIE

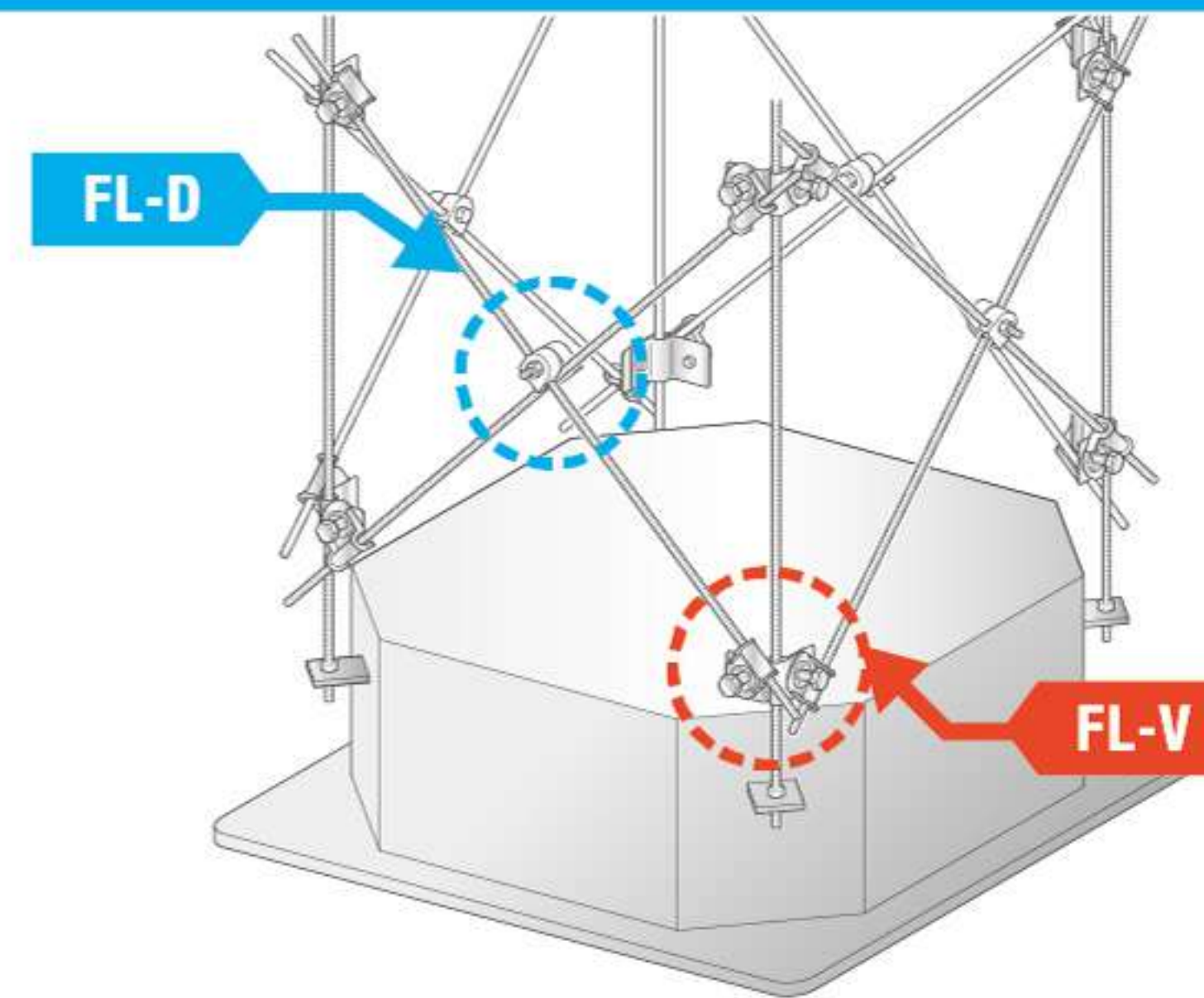


Code No.	Item No.	Binding diameter	L	A	H	t	Pcs/Pkg
C 60330	BT-200N	Ø7/8" - Ø2"	7-7/8"	2"	1/2"	0.06"	40packs
C 60340	BT-250N	Ø1-1/4" - Ø2-5/8"	9-7/8"	3-1/4"	1/2"	0.06"	40packs
C 60350	BT-300N	Ø1-3/8" - Ø3-1/4"	11-7/8"	3-5/8"	1/2"	0.06"	20packs
C 60080	BT-350	Ø1-5/8" - Ø3-7/8"	13-7/8"	4"	1/2"	0.08"	20packs
C 60090	BT-400	Ø2" - Ø4-1/2"	15-3/4"	6"	1/2"	0.13"	20packs
C 60100	BT-450	Ø2-1/4" - Ø5-1/8"	17-3/4"	6-3/4"	1/2"	0.13"	20packs

Specifications ■ Material ... BT-N: PP BT: PE
 ■ Temperature range (surface temperature) ... 4°F - 140°F
Caution ■ BIGTIE is designed for pipe tie. Do not use with loaded condition such as hanger or support for vertical or horizontal piping. *20pcs/pkg



ANTI DEFLECTION BRACE



FL-V CROSSLOCK V Bolt Type



Specifications ■ Surface treatment: Unichrome Plated

Code No.	Item No.	Applicable threaded rod	Pcs/Pkg
C 56431	FL-V	W3/8"	80
C 56433	FL-V-4	W1/2"	40

FL-D CROSSLOCK D Bolt Type



Contents ■ Metal (nut side) ... 1pc
 ■ Metal (bolt side) ... 1pc
 ■ Hexagon bolt W3/8"x1-7/8"L ... 1pc
 ■ W3/8 nut ... 1pc

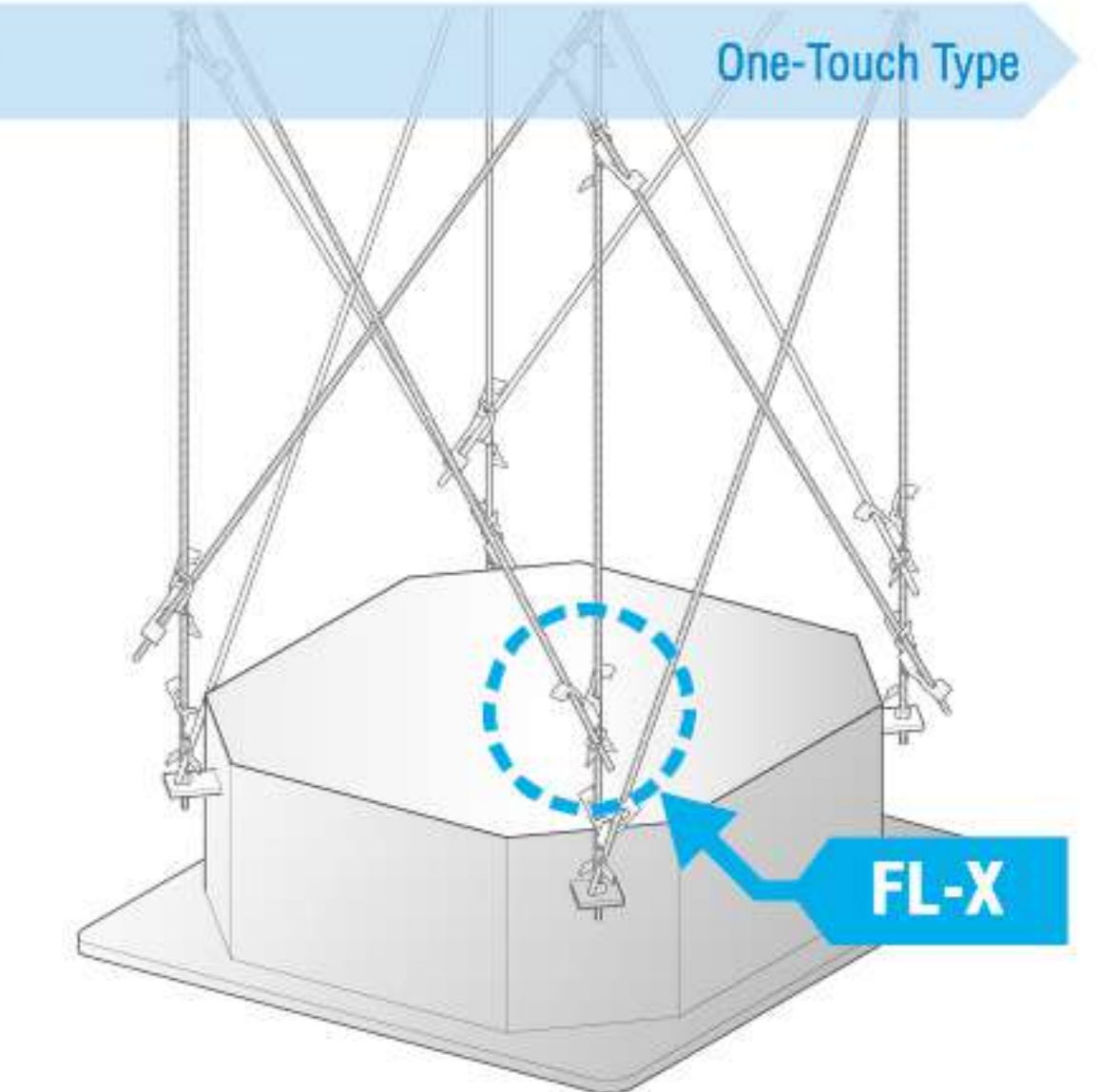
Specifications ■ Surface treatment: Unichrome Plated

Code No.	Item No.	Applicable threaded rod	Pcs/Pkg
C 56411	FL-D	W3/8"	80
C 56412	FL-D-4	W1/2"	80

FL-X CROSSLOCK X One-Touch Type

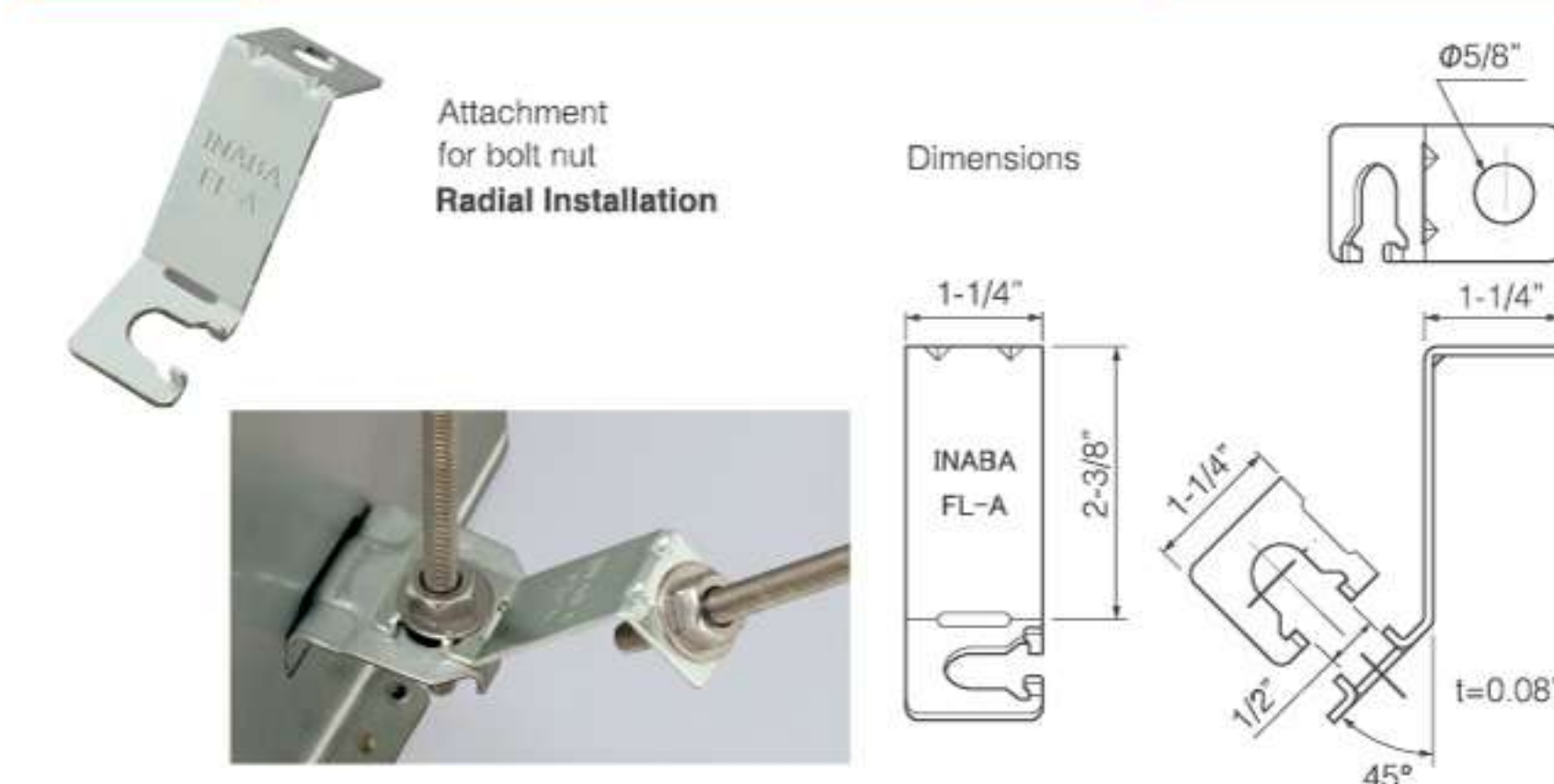


Specifications
 ■ Material Body ... SUS
 ■ Rivet pin ... Free-cutting steel



Code No.	Item No.	Applicable threaded rod	Pcs/Pkg
C 56360	FL-X	W3/8"	160

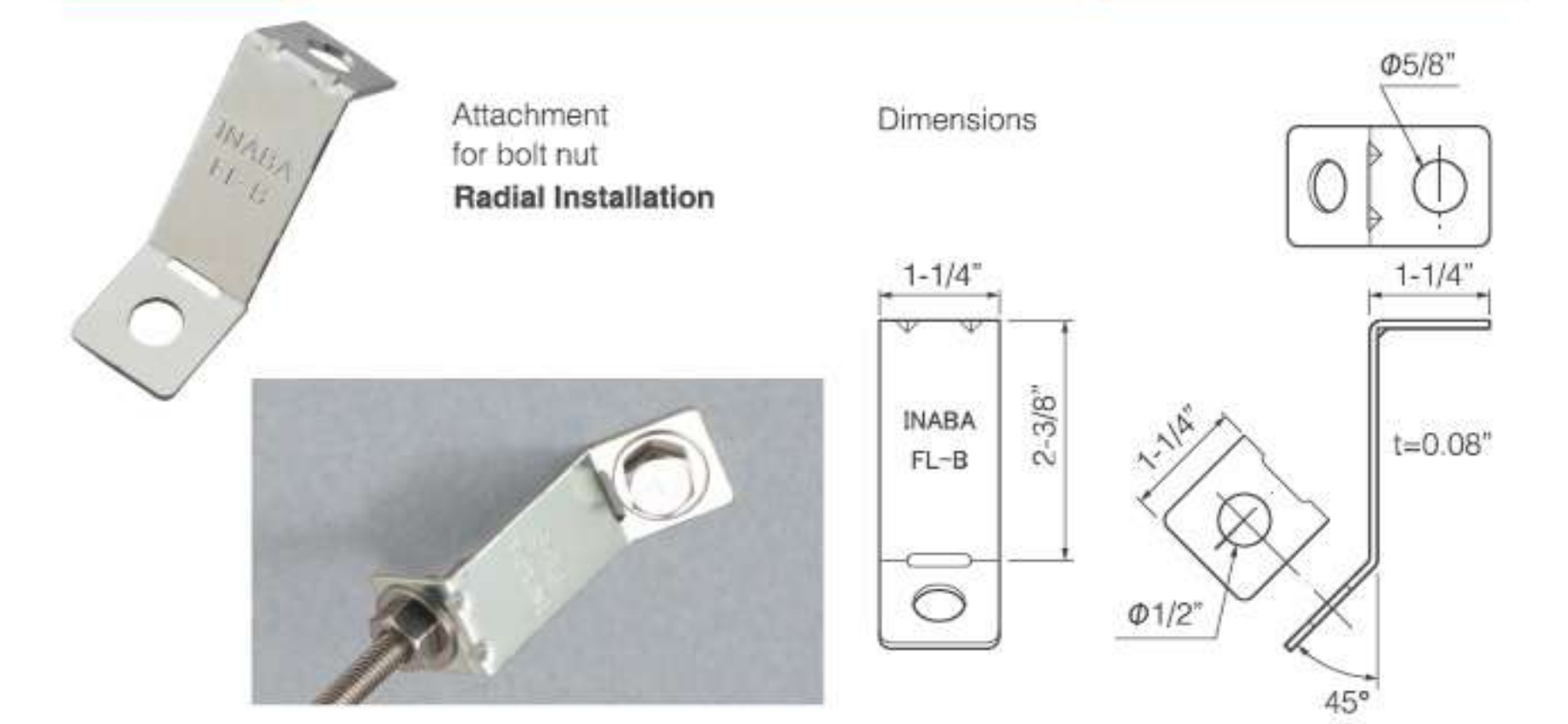
FL-A CROSSLOCK A Bolt Type



Specifications ■ Material ... Body: SPHC

Code No.	Item No.	Applicable threaded rod	Enclosed nut	Pcs/Pkg
C 56370	FL-A	W3/8" W1/2"	W3/8" Hex nut 2 pcs	160

FL-B CROSSLOCK B Bolt Type



Specifications ■ Material ... Body: SPHC

Code No.	Item No.	Applicable threaded rod	Enclosed nut	Pcs/Pkg
C 56380	FL-B	W3/8" W1/2"	W3/8" Hex nut 2 pcs	160

